

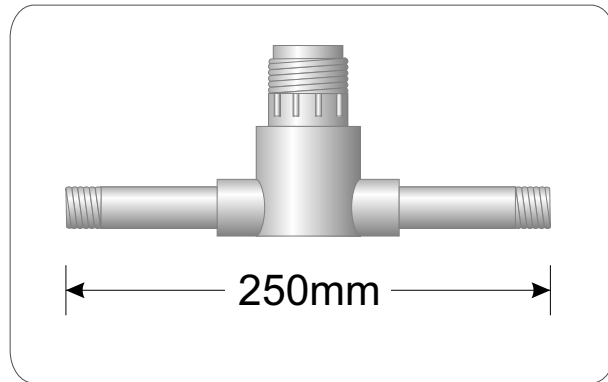
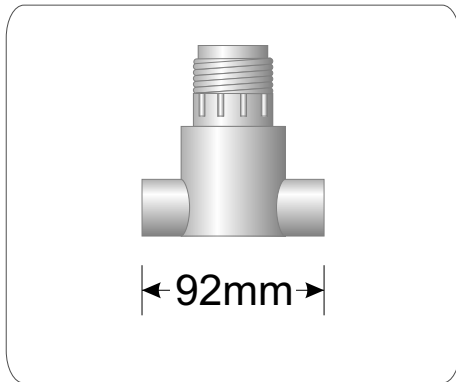
Plastic fittings Solvented Cement End & Threaded End

Our comprehensive range of fittings offer an unlimited installation possibilities. Designed according to the law of Fluid Dynamics our fittings are capable of positioning the sensor accurately in any piping to ensure correct reading of flow in any situation.

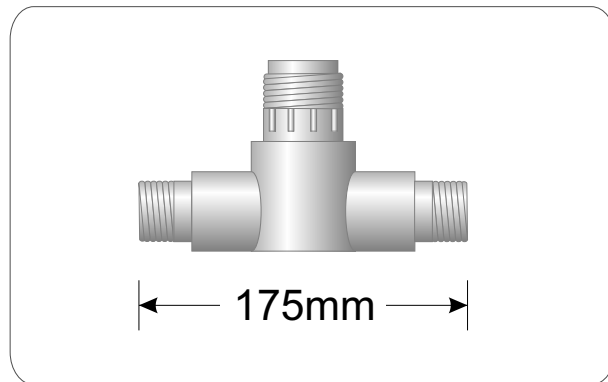
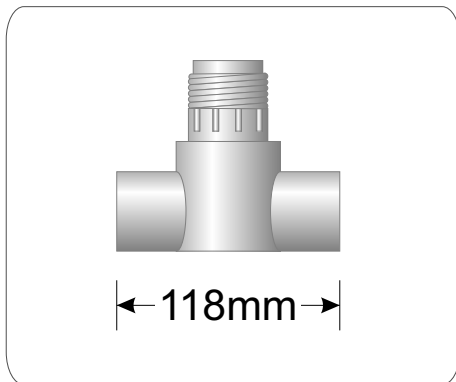
SOLVENTED CEMENT END

THREADED END

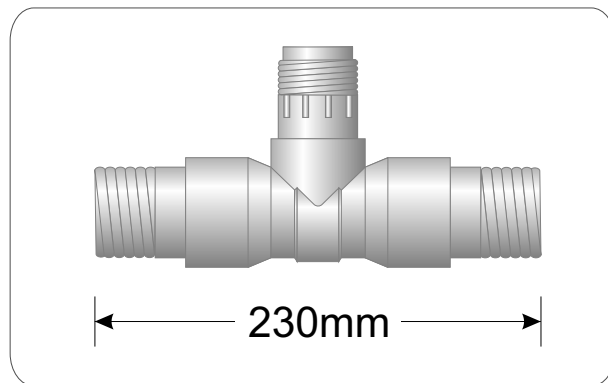
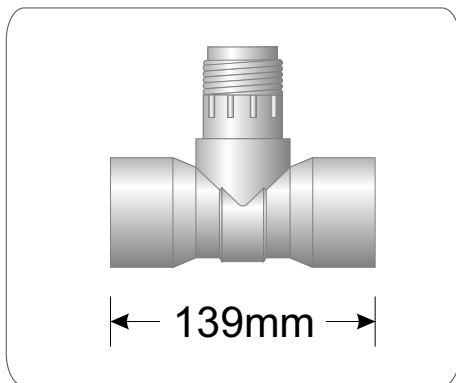
15 NB



25 NB



40 NB



For Line sizes
1/2", 1", 1 1/2"

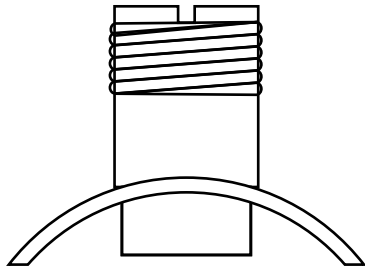
Plastic fittings - Saddle (universal mounting option)

The Next Level of Convenience...

Take the trouble out from assembly work.

The most convenient solution as easy as 1, 2, 3...

1. Drill a hole of 35 mm in the line.
2. Insert the saddle fitting.
3. Strap it up with the clamps. Done!



For Line sizes

2", 2 1/2", 3", 3 1/2", 4"

It's essential to maintain the straight runs as per the laws of Fluid Dynamics
Calibration is to be carried out at your end, as we do not have the control
of the site parameters

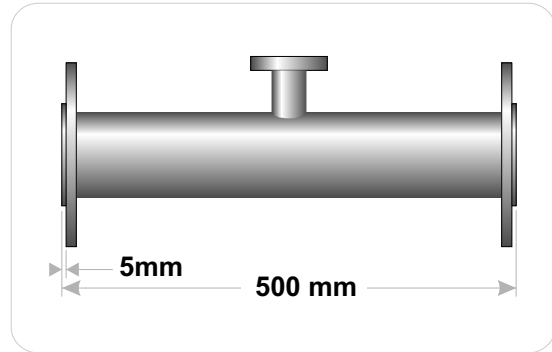
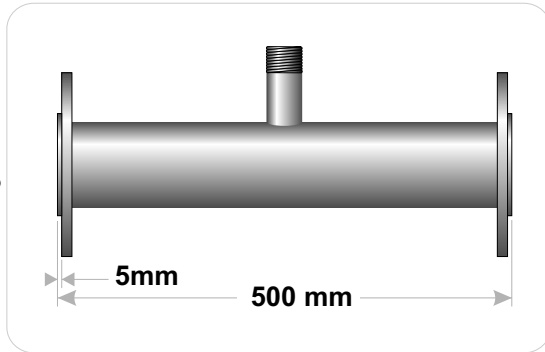
Metal fittings - Stub End

Our comprehensive range of fittings offer an unlimited installation possibilities. Designed according to the law of Fluid Dynamics our fittings are capable of positioning the sensor accurately in any piping to ensure correct reading of flow in any situation.

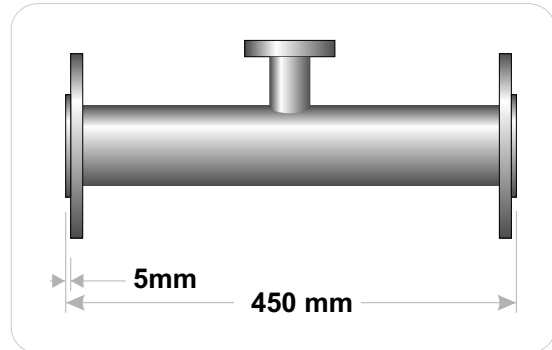
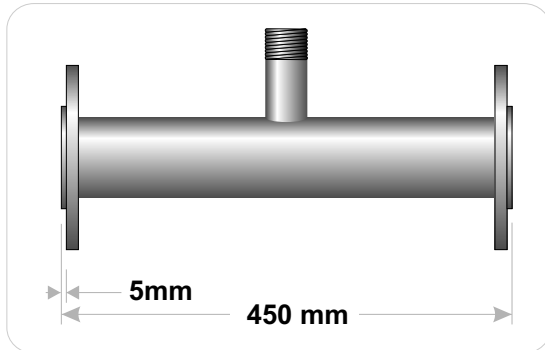
For PP Sensor

For SS Sensor

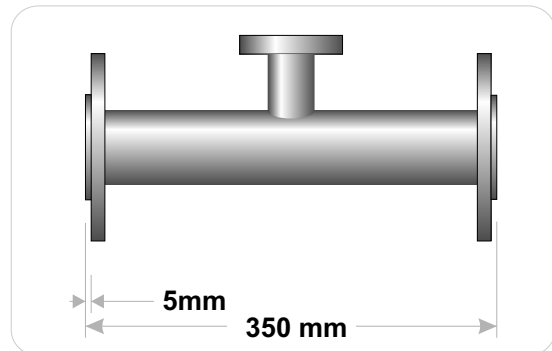
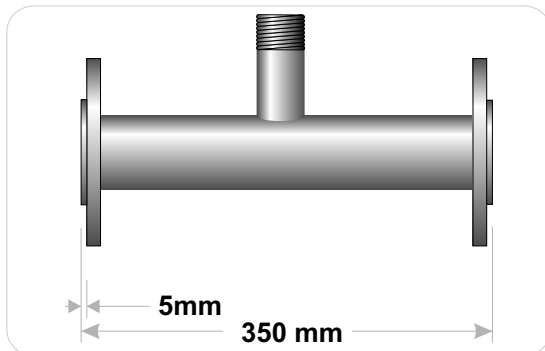
100NB



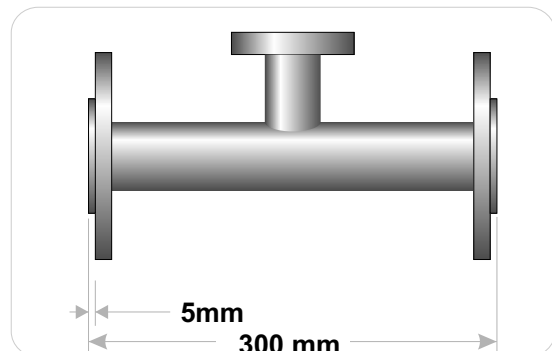
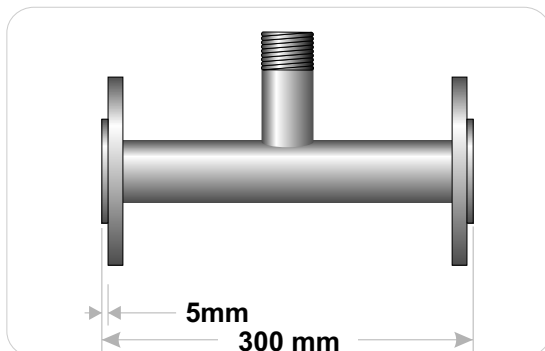
80NB



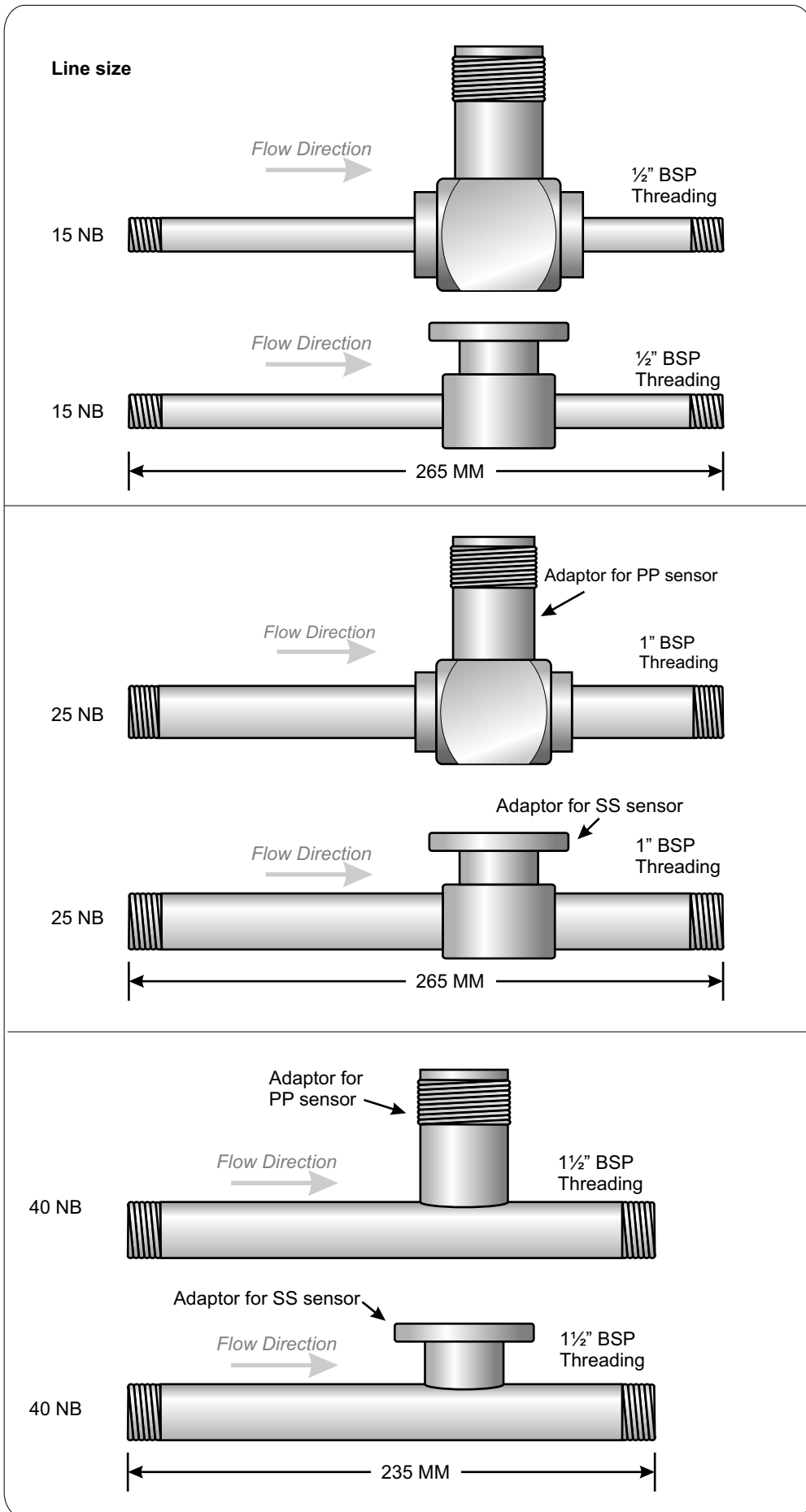
65NB



50NB



Metal fittings Threaded End



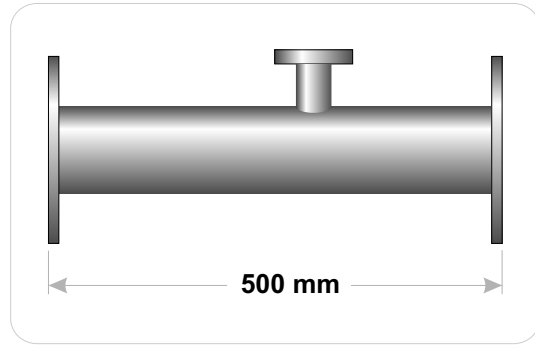
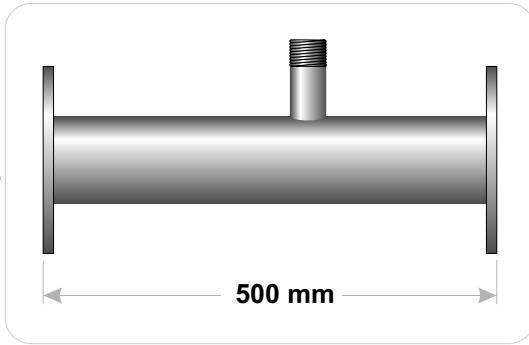
Metal fittings Welded flange End

Our comprehensive range of fittings offer an unlimited installation possibilities. Designed according to the law of Fluid Dynamics our fittings are capable of positioning the sensor accurately in any piping to ensure correct reading of flow in any situation.

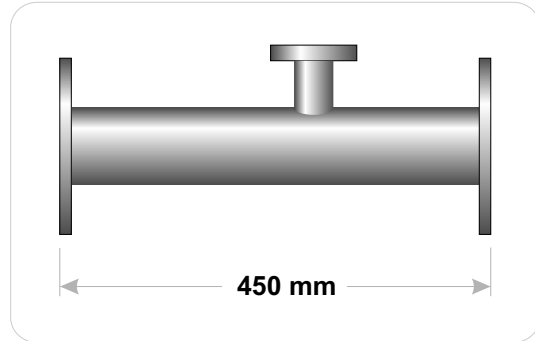
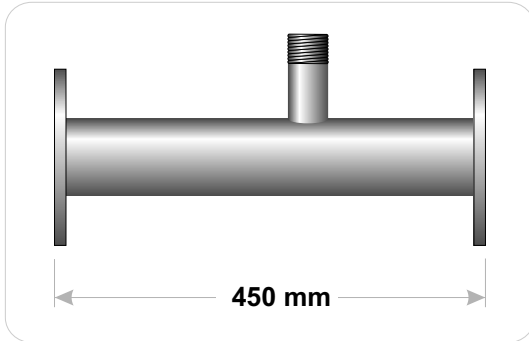
For PP Sensor

For SS Sensor

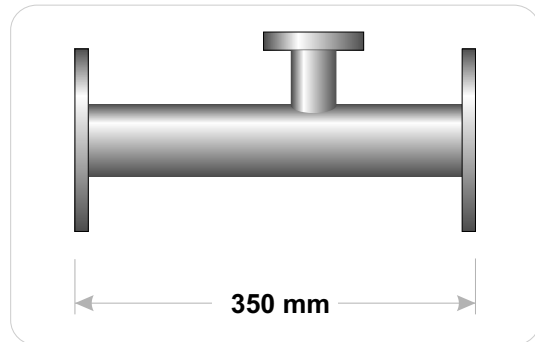
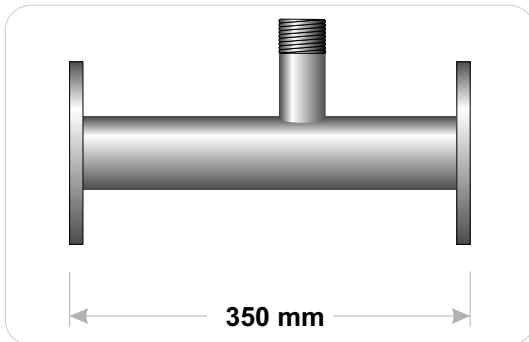
100NB



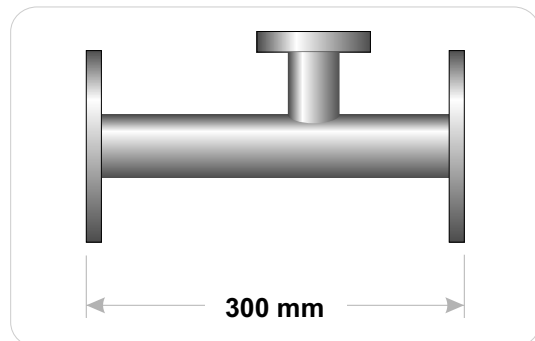
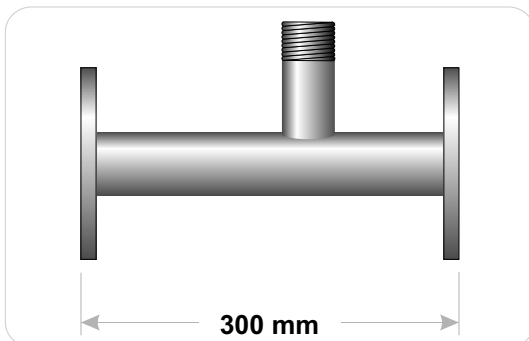
80NB



65NB

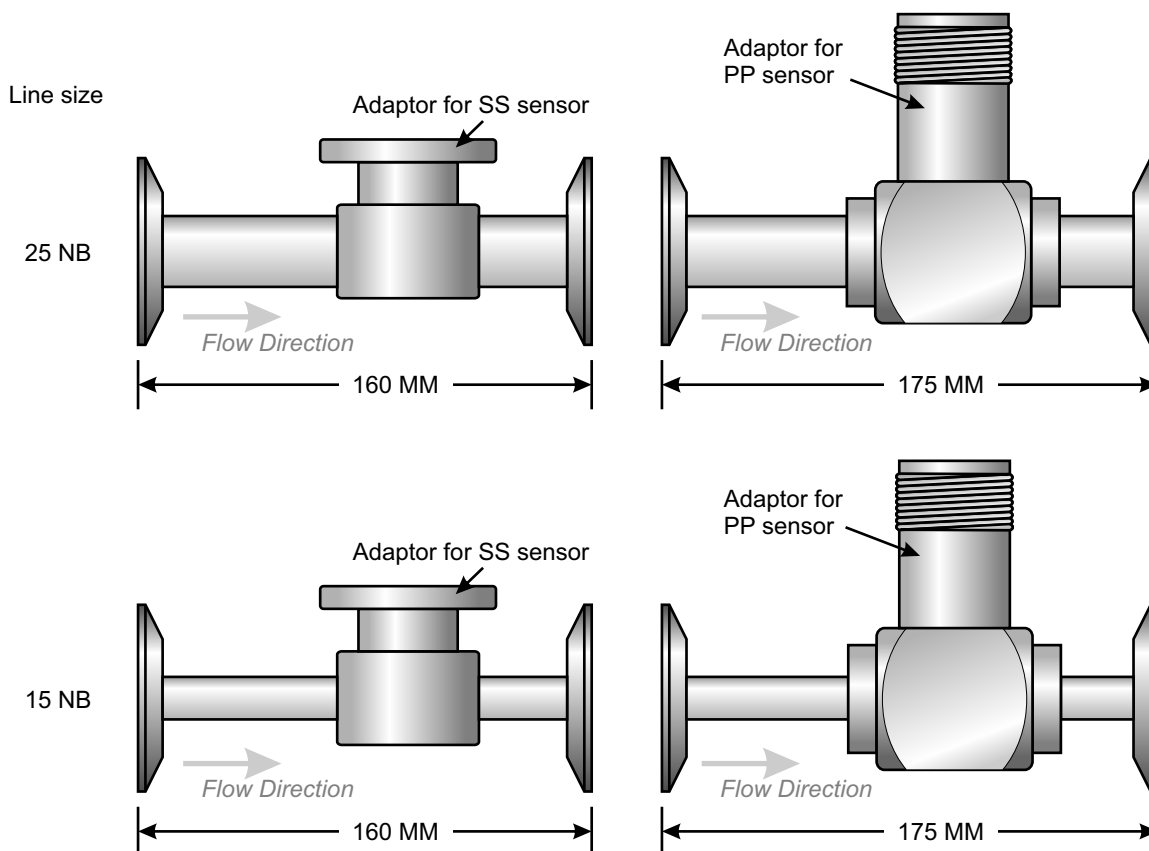


50NB



Metal fittings Tri clover end (Sanitary Fittings)

Our comprehensive range of fittings offer an unlimited installation possibilities. Designed according to the law of Fluid Dynamics our fittings are capable of positioning the sensor accurately in any piping to ensure correct reading of flow in any situation.



FITTINGS &
ACCESSORIES

Authorised Dealer



NK Instruments Pvt. Ltd.

B-501/504, 5th floor, Raunak Arcade, Near THC Hospital, Gokhale Road, Naupada,
Thane(W) 400602. Maharashtra INDIA
E-Mail: sales@nkinstruments.com
Skype: nitinkelkarskype

Telefax Nos.: 91-22-25301330 / 31 / 32
Web: <http://www.nkinstruments.com>
Gtalk: nkinstruments2006

