

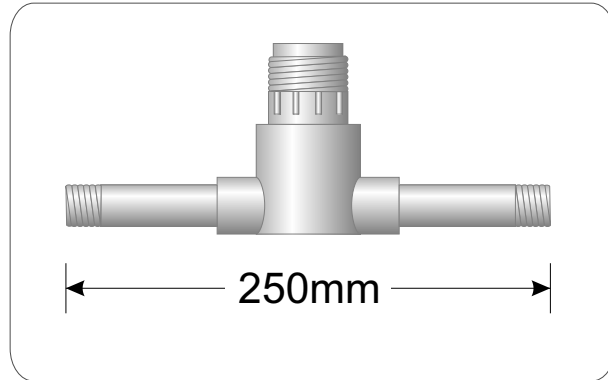
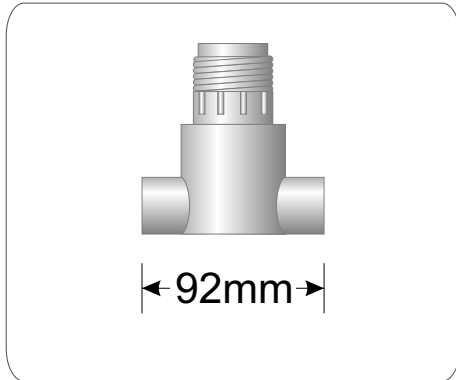
## Plastic fittings Solvented Cement End & Threaded End

Our comprehensive range of fittings offer an unlimited installation possibilities. Designed according to the law of Fluid Dynamics our fittings are capable of positioning the sensor accurately in any piping to ensure correct reading of flow in any situation.

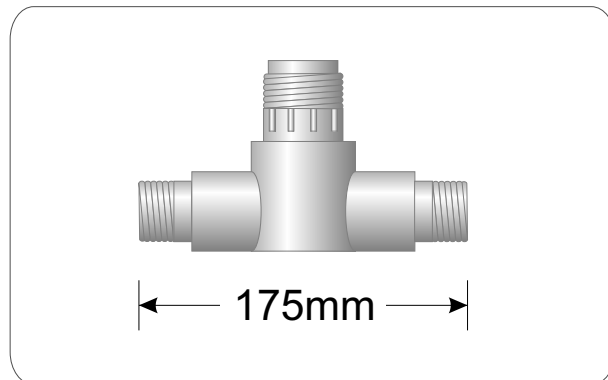
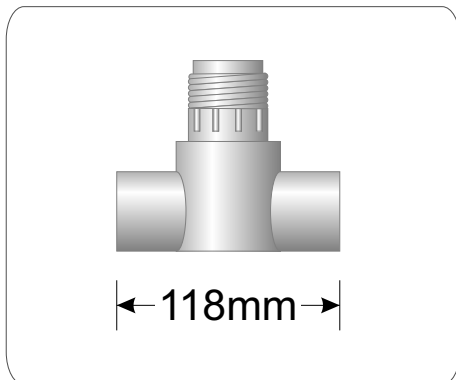
**SOLVENTED CEMENT END**

**THREADED END**

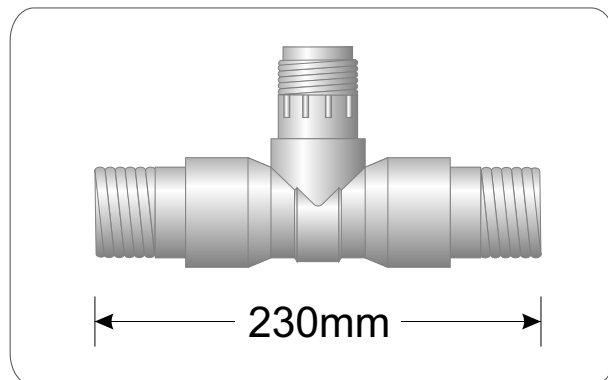
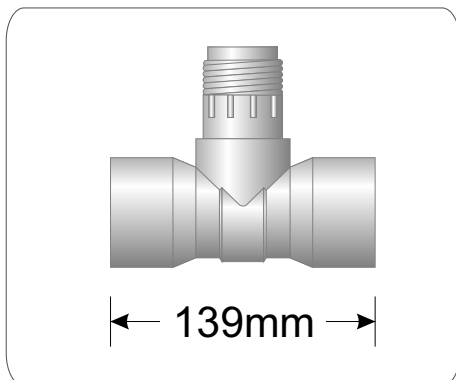
**15 NB**



**25 NB**



**40 NB**



For Line sizes  
1/2", 1", 1 1/2"

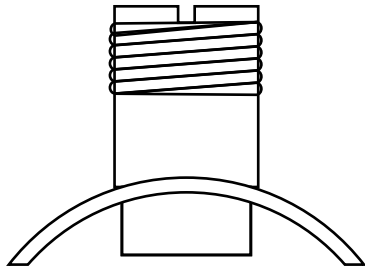
## Plastic fittings - Saddle (universal mounting option)

The Next Level of Convenience...

Take the trouble out from assembly work.

The most convenient solution as easy as 1, 2, 3...

1. Drill a hole of 35 mm in the line.
2. Insert the saddle fitting.
3. Strap it up with the clamps. Done!



For Line sizes

2", 2 1/2", 3", 3 1/2", 4"

It's essential to maintain the straight runs as per the laws of Fluid Dynamics  
Calibration is to be carried out at your end, as we do not have the control  
of the site parameters

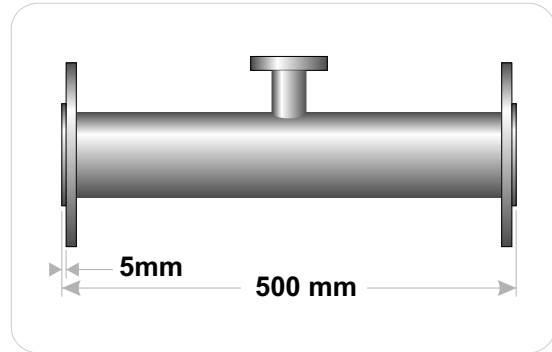
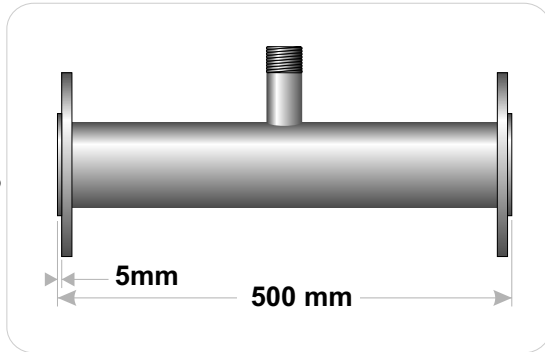
## Metal fittings - Stub End

Our comprehensive range of fittings offer an unlimited installation possibilities. Designed according to the law of Fluid Dynamics our fittings are capable of positioning the sensor accurately in any piping to ensure correct reading of flow in any situation.

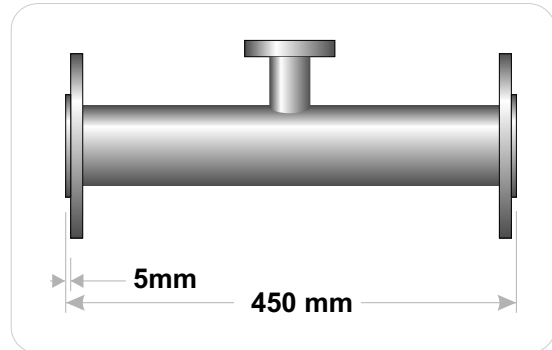
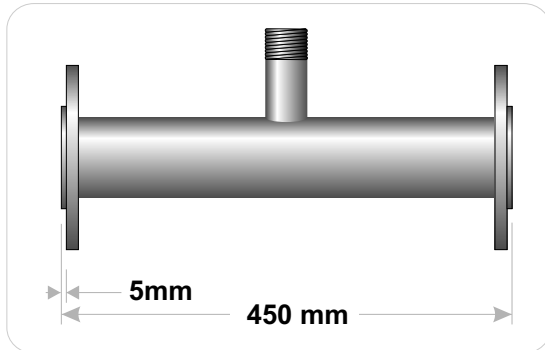
**For PP Sensor**

**For SS Sensor**

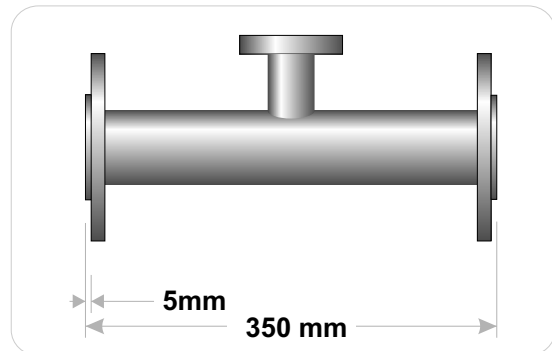
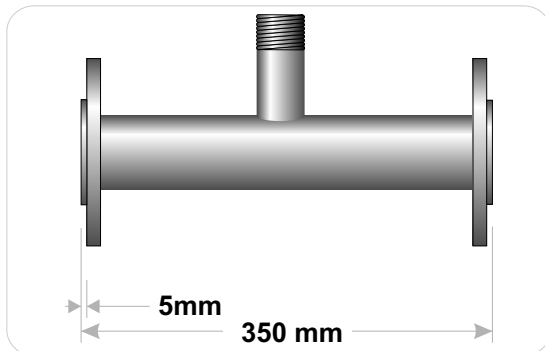
**100NB**



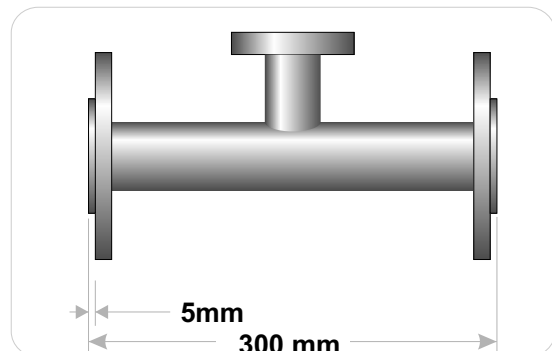
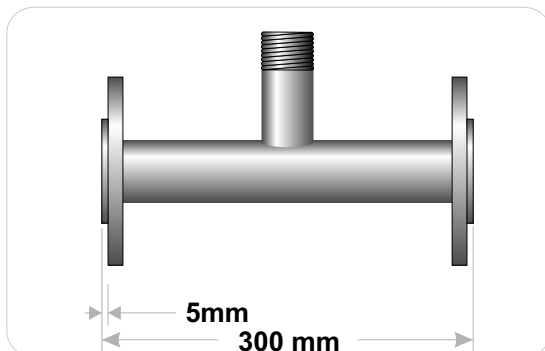
**80NB**



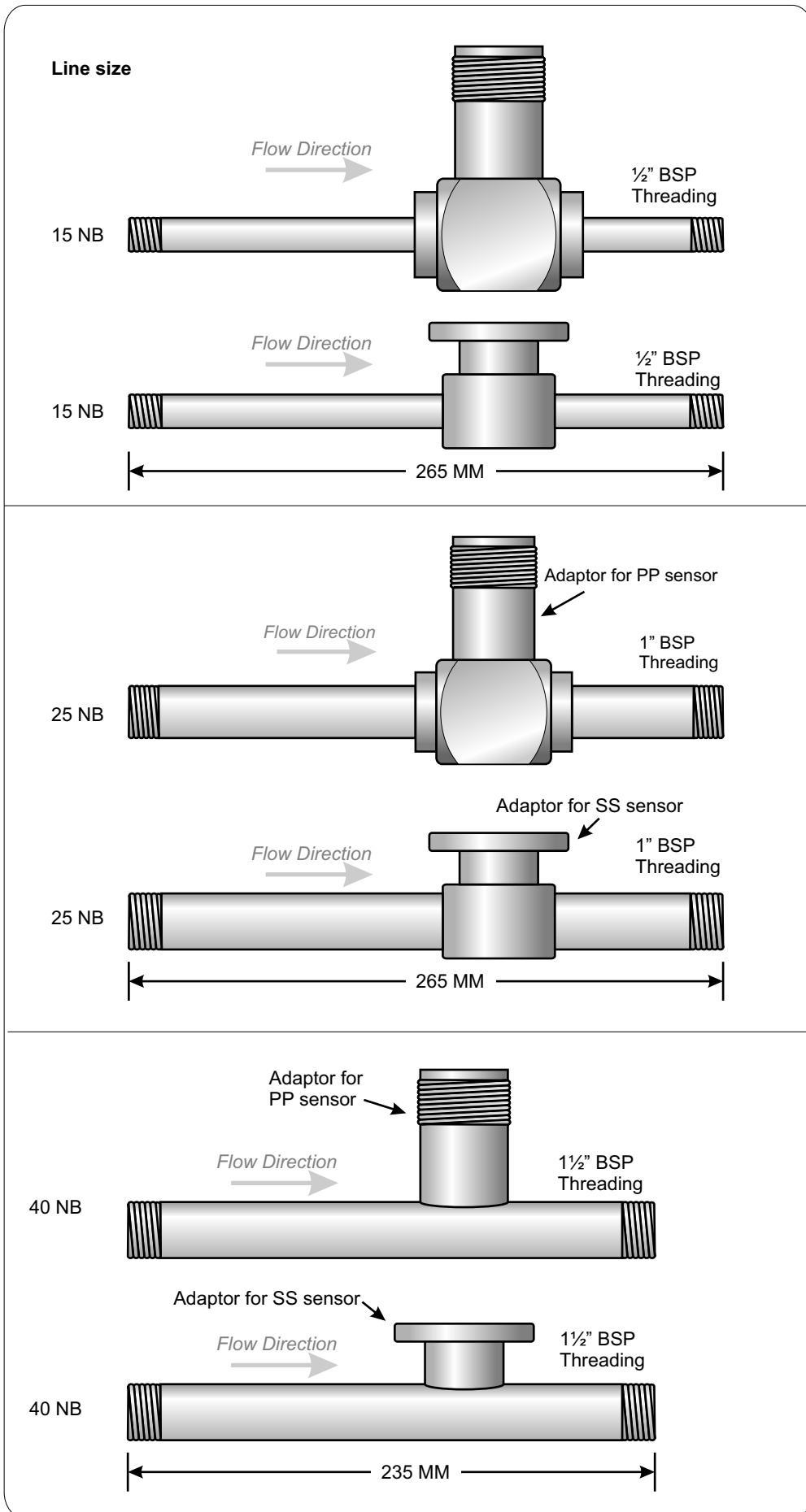
**65NB**



**50NB**



# Metal fittings Threaded End



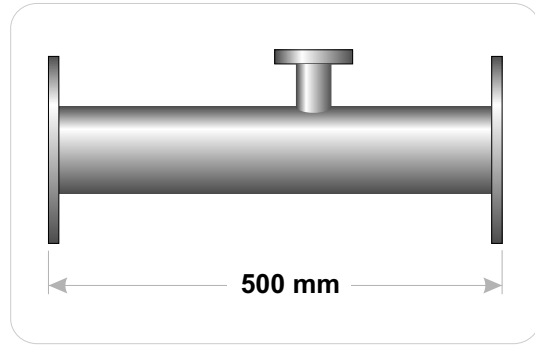
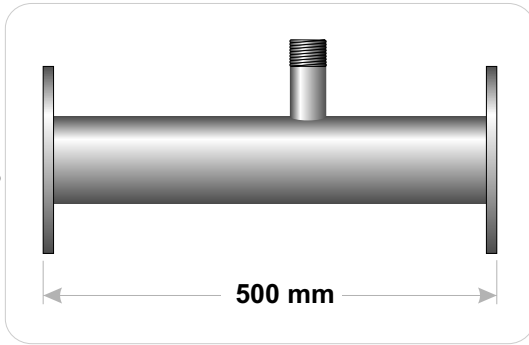
## Metal fittings Welded flange End

Our comprehensive range of fittings offer an unlimited installation possibilities. Designed according to the law of Fluid Dynamics our fittings are capable of positioning the sensor accurately in any piping to ensure correct reading of flow in any situation.

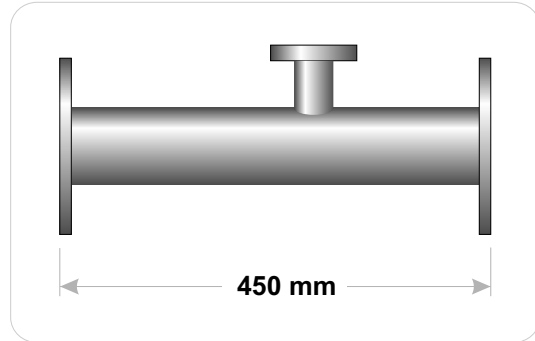
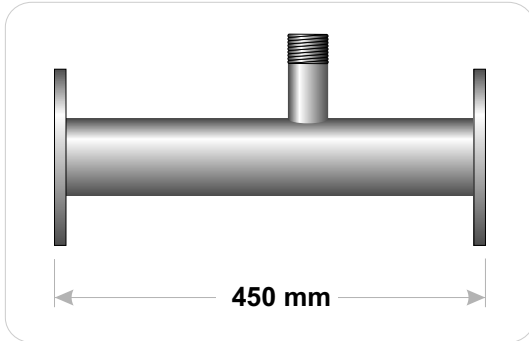
**For PP Sensor**

**For SS Sensor**

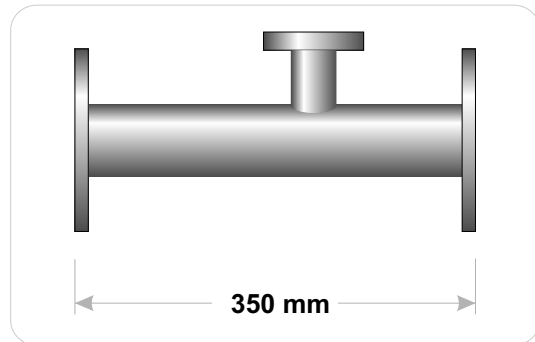
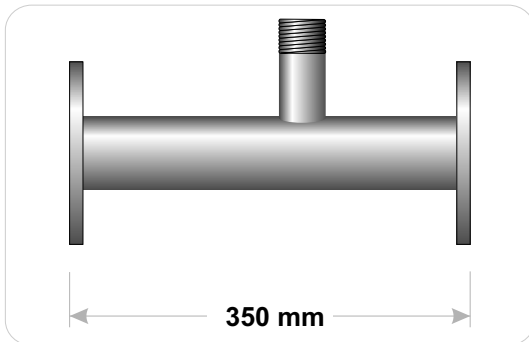
**100NB**



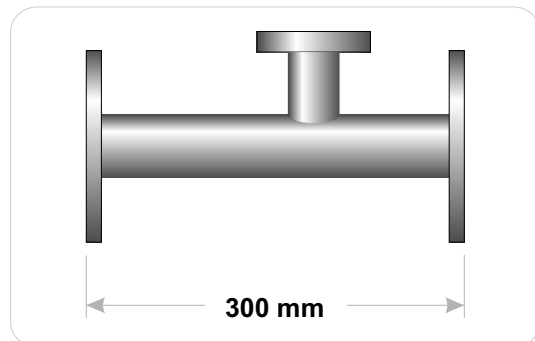
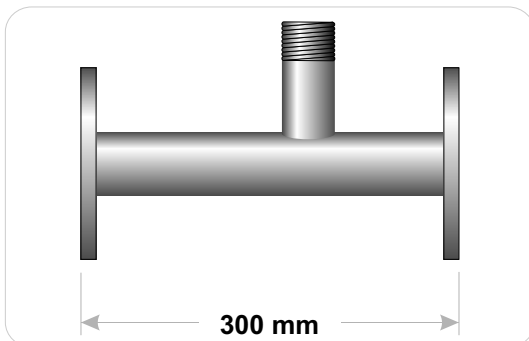
**80NB**



**65NB**

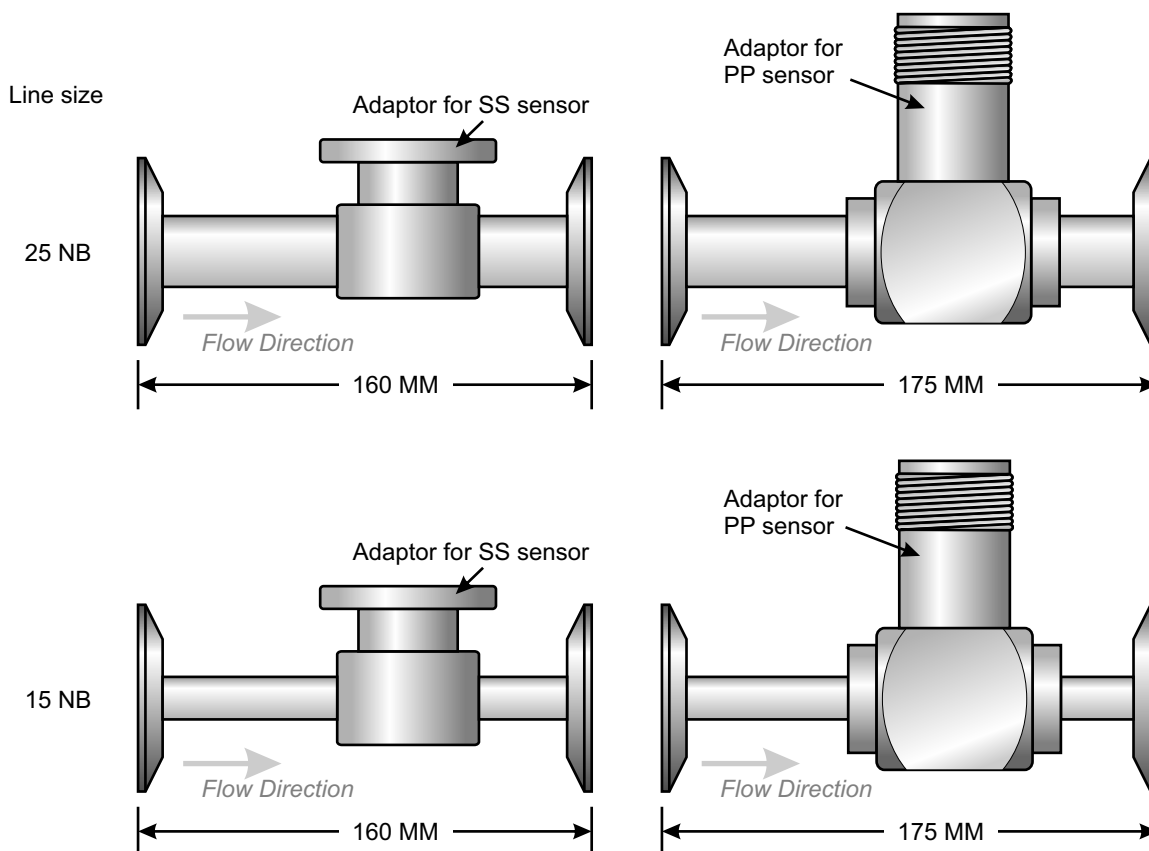


**50NB**



## Metal fittings Tri clover end (Sanitary Fittings)

Our comprehensive range of fittings offer an unlimited installation possibilities. Designed according to the law of Fluid Dynamics our fittings are capable of positioning the sensor accurately in any piping to ensure correct reading of flow in any situation.



FITTINGS &  
ACCESSORIES

Authorised Dealer



*NK Instruments Pvt. Ltd.*

B-501/504, 5th floor, Raunak Arcade, Near THC Hospital, Gokhale Road, Naupada,  
Thane(W) 400602. Maharashtra INDIA  
E-Mail: [sales@nkinstruments.com](mailto:sales@nkinstruments.com)  
Skype: nitinkelkarskype

Telefax Nos.: 91-22-25301330 / 31 / 32  
Web: <http://www.nkinstruments.com>  
Gtalk: nkinstruments2006

