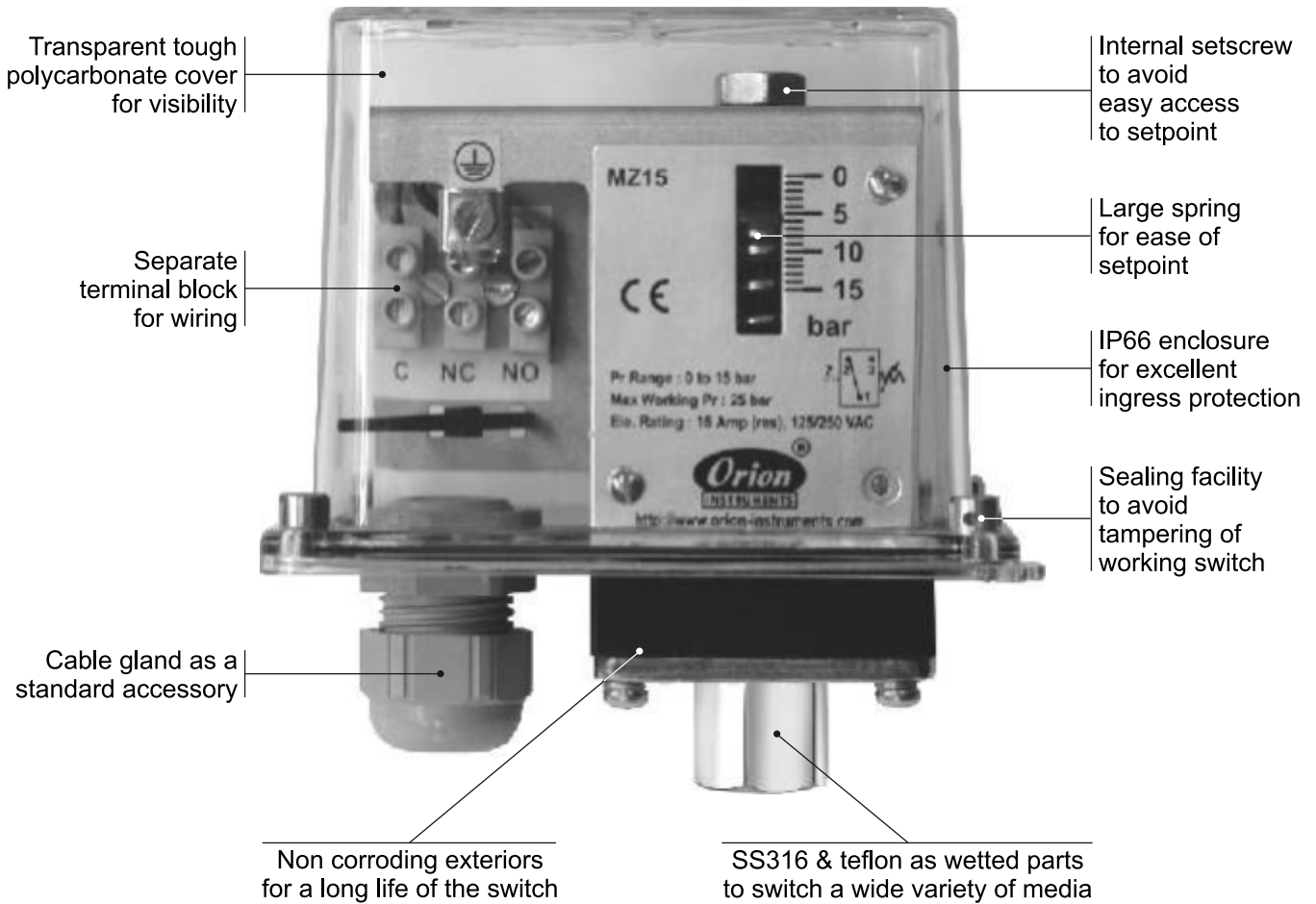
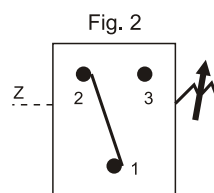


MZ HIGH RANGE PRESSURE SWITCHES



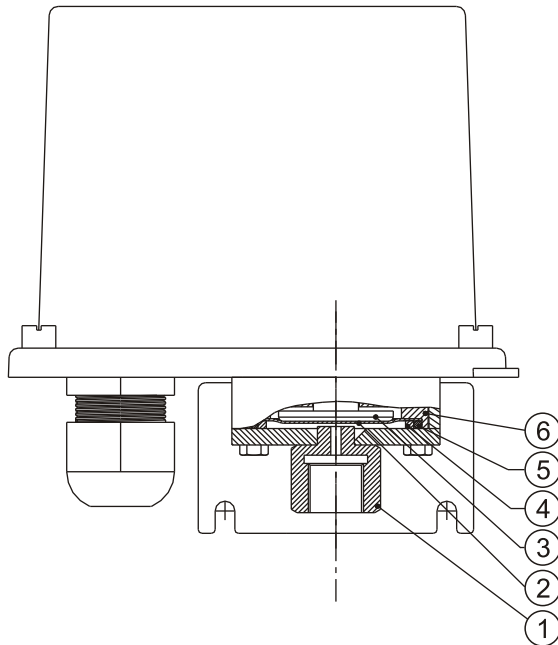
Approximate Weight : 0.550 Kg.

Electrical Connection :





PRESSURE CAPSULE DETAILS



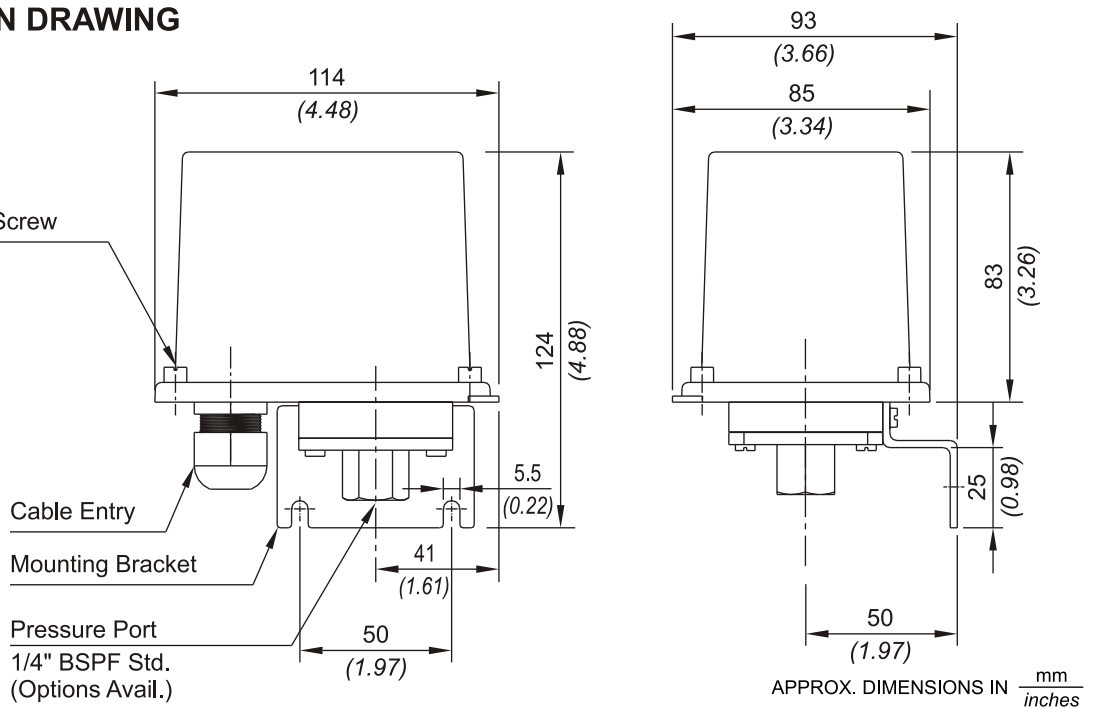
No. Description

1. *Pressure Housing (SS316)*
2. *Diaphragm (Teflon®)*
3. *Plunger*
4. *Steel Ring (SS316)*
5. *O-Ring (Teflon®)*
6. *Disc*

Note : *wetted parts* are mentioned in italics.

INSTALLATION DRAWING

Cover Locking Screw
4 Nos.



MZ HIGH RANGE PRESSURE SWITCHES

RANGE SELECTION TABLE

Range Code	Range bar (psi) <i>(0.97 - 3.09)</i>	Differential* bar (psi)	Maximum Working Pressure bar (psi)
		Approximate Maximum for "A8" microswitch	
LP†	0.1 - 0.5 <i>(1.45 - 7.25)</i>	0.05 <i>(0.71)</i>	5 <i>(71.43)</i>
LP5	0.1 - 1.0 <i>(1.45 - 14.50)</i>	0.10 <i>(1.43)</i>	5 <i>(71.43)</i>
H01	0.1 - 1.5 <i>(1.45 - 21.76)</i>	0.10 <i>(1.43)</i>	12 <i>(171.43)</i>
H02	0.2 - 2.6 <i>(2.90 - 37.71)</i>	0.20 <i>(2.86)</i>	12 <i>(171.43)</i>
H03	0.2 - 3.6 <i>(2.90 - 52.21)</i>	0.20 <i>(2.86)</i>	12 <i>(171.43)</i>
H04	0.5 - 7.0 <i>(7.25 - 101.50)</i>	0.20 <i>(2.86)</i>	12 <i>(171.43)</i>
H07	0.5 - 10.0 <i>(7.14 - 142.86)</i>	0.40 <i>(5.72)</i>	12 <i>(171.43)</i>
H10	1.0 - 15.0 <i>(14.29 - 214.29)</i>	0.60 <i>(8.58)</i>	25 <i>(357.14)</i>
H15	5.0 - 25.0 <i>(71.43 - 357.14)</i>	0.60 <i>(8.58)</i>	25 <i>(357.14)</i>
H30		0.80 <i>(11.44)</i>	35 <i>(500.00)</i>

*Minimum differential increases with setpoint (Graphs available on request), results for neoprene diaphragm.

†Range not available in SS316 L diaphragm.

Authorised Dealer



NK Instruments Pvt. Ltd.

B-501/504, 5th floor, Raunak Arcade, Near THC Hospital, Gokhale Road, Naupada,
Thane(W) 400602. Maharashtra INDIA Telefax Nos.: 91-22-25301330 / 31 / 32
E-Mail: sales@nkstruments.com Web: <http://www.nkstruments.com>
Skype: nitinkelkarskype Gtalk: nkstruments2006



HOW TO ORDER PROCESS HIGH RANGE PRESSURE SWITCHES

Group 1	Group 2	Group 3	Group 4	Group 5	Group 6	Group 7	Group 8
Non standard allocation	Model	Cable Entry Size	Switch Type	Range Code (values in bar)	Microswitch Type	Pressure Port Size	Diaphragm
<input type="checkbox"/> Reserved for non-standard options not covered in catalogue. Will be given by manufacturer, only after agreement of supply details with customer.	MZ = Process pressure switch with tough transparent polycarbonate enclosure to IP66 as per IS2147	3 = M20 X 1.5 cable gland	PF2 = pressure switch, fixed differential with scale in bar PF3 = pressure switch, fixed differential with scale in psi *PA2 = pressure switch, adjustable differential with scale *PA3 = pressure switch, adjustable differential with scale in psi *Available only with option A9 in Group 6	LP = (0.067 - 0.213) LP5 = (0.1 - 0.5) H01 = (0.1 - 1.0) H02 = (0.1 - 1.5) H03 = (0.2 - 2.6) H04 = (0.2 - 3.6) H07 = (0.5 - 7.0) H10 = (0.5 - 10.0) H15 = (1.0 - 15.0) H30 = (5.0 - 25.0)	A8 = General purpose microswitch rated at 5 A; 250 VAC A7 = 2SPDT microswitches A9 = General purpose microswitch rated @ 5A, 250 VAC	S1 = SS316 pr. Housing with 1/4" BSPF pressure port S2 = SS316 pressure housing with 1/4" NPT(F) pressure port.	0 = Neoprene 1 = Teflon 2 = SS 316L

eg. A process pressure switch with fixed differential having 0.1 bar to 1 bar pressure range, with 5 Amp. microswitch, SS316 pressure housing with 1/4" BSPF port size & neoprene diaphragm shall be specified by

Group 1	Group 2	Group 3	Group 4	Group 5	Group 6	Group 7	Group 8
<input type="checkbox"/>	MZ	3	PF2	H01	A8	S1	0

Please specify full model number to avoid ambiguity.

Authorised Dealer



NK Instruments Pvt. Ltd.

B-501/504, 5th floor, Raunak Arcade, Near THC Hospital, Gokhale Road, Naupada, Thane(W) 400602. Maharashtra INDIA
 E-Mail: sales@nkinstruments.com
 Skype: nitinkelkarskype

Telefax Nos.: 91-22-25301330 / 31 / 32
 Web: http://www.nkinstruments.com
 Gtalc: nkinstruments2006

