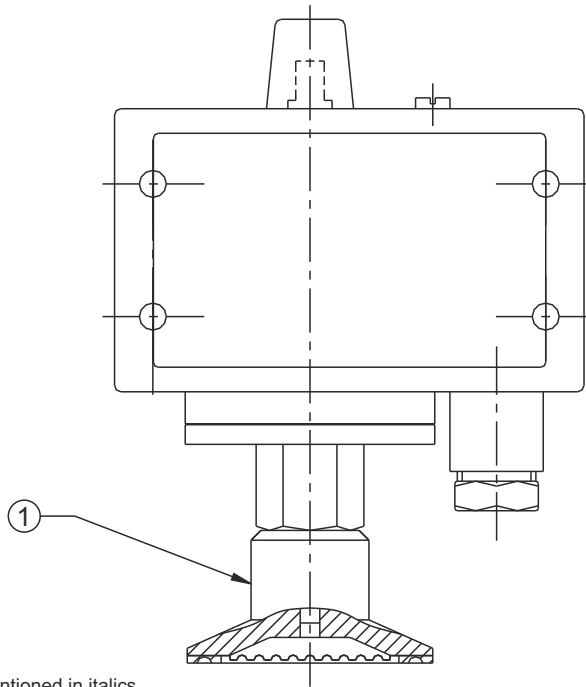


MG HIGH RANGE TRICLOVER PRESSURE SWITCHES



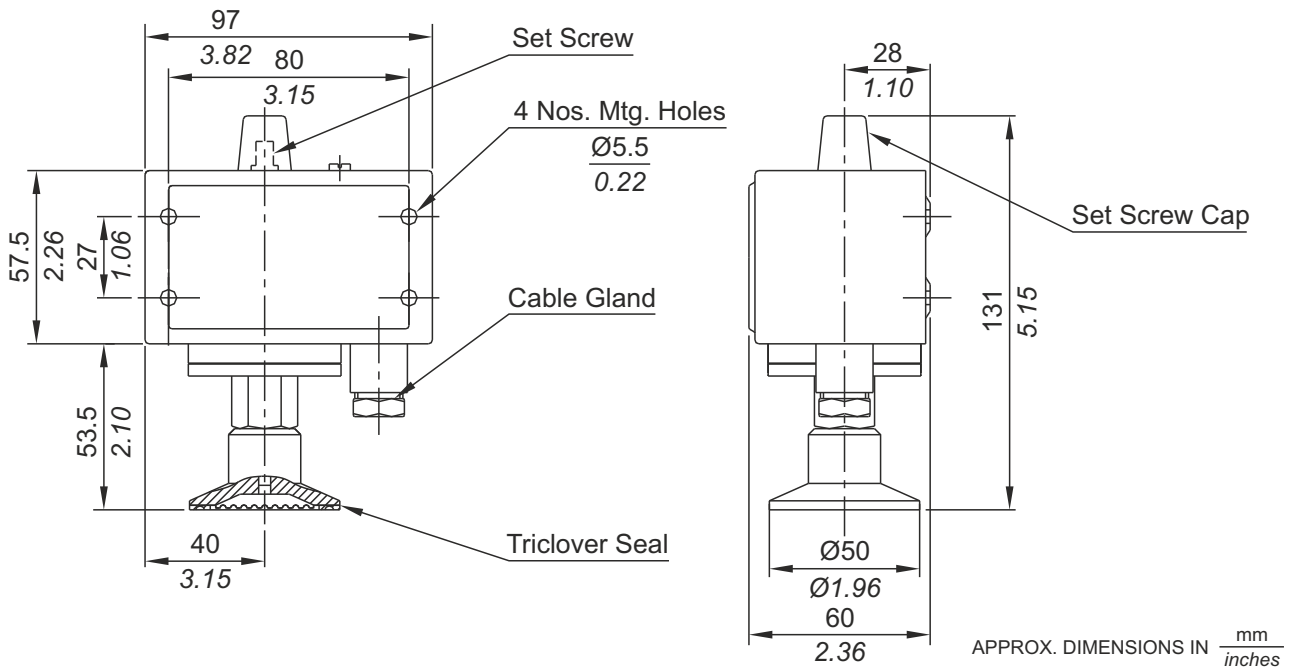
PRESSURE CAPSULE DETAILS



- No. Description**
 1. *Triclover seal (SS316L)*

Note : *wetted parts* are mentioned in italics.

INSTALLATION DRAWING



HIGH RANGE TRICLOVER PRESSURE SWITCHES



General information:

MG series pressure switches are housed in pressed steel powder coated enclosure and are recommended for panel mounting or indoor service. The repeat accuracy is better than $\pm 1.5\%$ FSR. A 3/8" cable entry is provided for cables and a terminal strip suitable for wired ends is provided inside the enclosure. Pressure port is a triclover seal.

Features:

- ! Compact
- ! Electrical rating : 5A, 250 VAC; 0.2 A, 250VDC (res.)
- ! Pressure port: Triclover / 1/4" BSPF

Range Selection Table

Range Code	Range † bar (psi)	*Approximate Maximum Differential bar (psi)	Maximum Working Pressure bar (psi)
H03	0.2 - 2.6 (2.86 - 37.14)	0.20 (2.86)	12 (171.43)
H04	0.2 - 3.6 (2.86 - 51.43)	0.20 (2.86)	12 (171.43)
H07	0.5 - 7.0 (7.14 - 100.00)	0.40 (5.71)	12 (171.43)
H10	0.5 - 10.0 (7.14 - 142.86)	0.60 (8.57)	25 (357.14)
H15	1.0 - 15.0 (14.29 - 214.29)	0.60 (8.57)	25 (357.14)

*Minimum differential increases with setpoint (Graphs available on request)

† rising pressure for MG series

How to order MG series high range triclover pressure switches.

Group 1	Group 2	Group 3	Group 4	Group 5	Group 6
Model	Range Code	Range Scale	Pressure Housing	Triclover Size	Enclosure
MG - Fixed Differential Triclover Pressure Switch	H-High range Pressure Switch	C-Without Knob K-With Knob	T-Triclover SS316L S - SS316L (1/4" BSPF Pressure port)	1 - No Triclover (Teflon diaphragm) B-1.5" OD C-2" OD	0-IP 40 as per IS 2147

eg. A fixed differential triclover pressure switch, high pressure range from 0.5 - 7.0 bar with knob style with triclover pressure housing with 1 & 1/2" triclover size shall be specified by

Group 1	Group 2	Group 3	Group 4	Group 5	Group 6
MG	H07	K	T	B	0

Please specify full model number to avoid ambiguity. If only the first two groups are specified while ordering, calibrated switches with standard wetted parts will be supplied.

Authorised Dealer



NK Instruments Pvt. Ltd.

B-501/504, 5th floor, Raunak Arcade, Near THC Hospital, Gokhale Road, Naupada, Thane(W) 400602. Maharashtra INDIA
 E-Mail: sales@nkinstruments.com
 Skype: nitinkelkarskype
 Telefax Nos.: 91-22-25301330 / 31 / 32
 Web: http://www.nkinstruments.com
 Gtalk: nkinstruments2006

