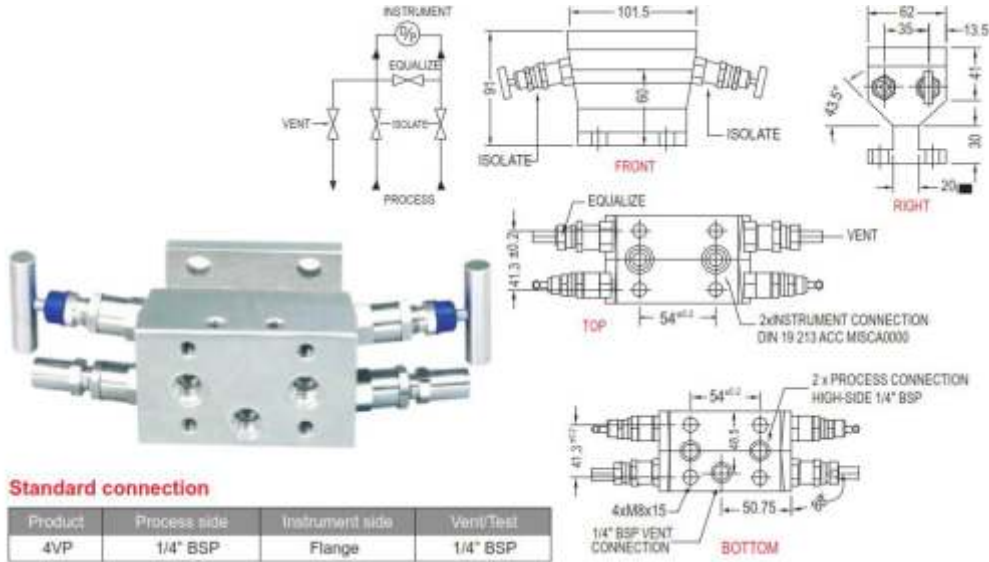




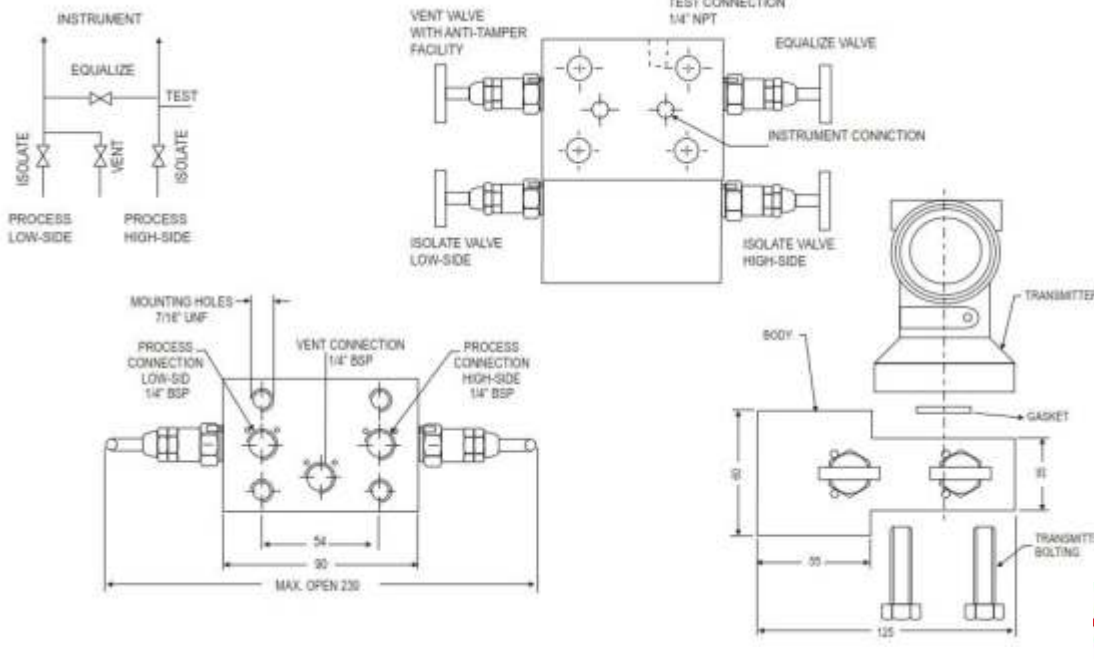
MODEL : 4VP

A compact four valve manifold to accommodate any full DIN 19213 interface complaint pressure transmitter-two inlets BSP/NPT female and 2 outlets Flange to fit DIN 19213; vent/test on front side, equalizing bonnet at right side; isolating bonnets at left and right side and venting bonnet at left side.



MODEL : 4VRR

Four valve compact manifold especially designed to suit FR 3051 CD differential transmitters mounted integral on the manifold-2 inlets BSP/NPT female and 2 outlets Flange to fit FR 3051 CD-vent/test connection on front-equalizing bonnet at right side. 2 isolating bonnets at left and right-venting bonnet at left



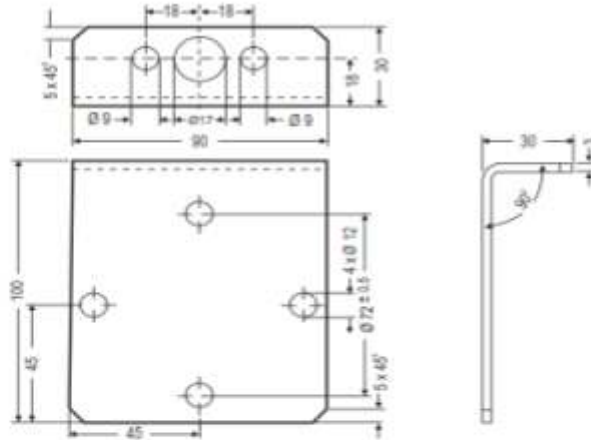
CONTACT DETAILS

B-501/504, 5th floor, Raunak Arcade, Near THC Hospital, Gokhale Road, Naupada, Thane(w) 400602. Maharashtra INDIA
● Telefax Nos.: 91-22-25301330 / 31 / 32 ● Skype: nitinkelkarskype ● Gtalk: nkstruments2006



MOUNTING BRACKETS

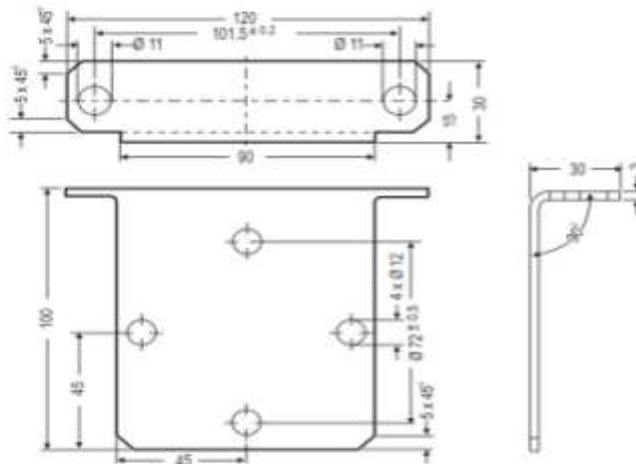
MB 1



Mounting bracket for :

2VF

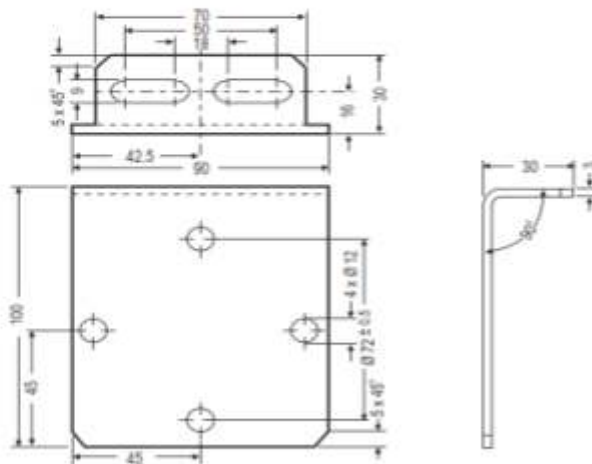
MB 2



Mounting bracket for :

**3VO
3VP
5VP
5VS**

MB 3



Mounting bracket for :

**SVH
SVV
2VA
2VH
3VA
3VB
3VD
3VH
3VT
5VA
5VG
5VH
5VN
5VT**

Mounting bracket set will be delivered with 2" U-bolt and nuts.

CONTACT DETAILS

B-501/504, 5th floor, Raunak Arcade, Near THC Hospital, Gokhale Road, Naupada, Thane(w) 400602. Maharashtra INDIA
● Telefax Nos.: 91-22-25301330 / 31 / 32 ● Skype: nitinkelkarskype ● Gtalk: nkstruments2006

E-Mail: sales@nkstruments.com

Web: www.nkstruments.com