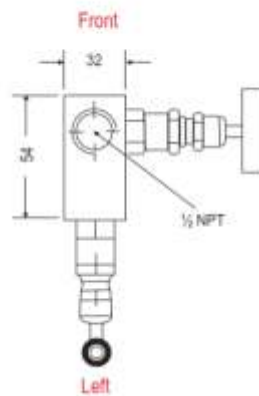
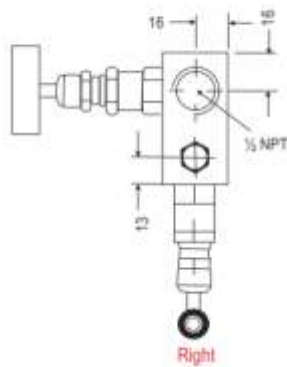
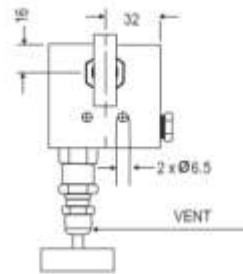
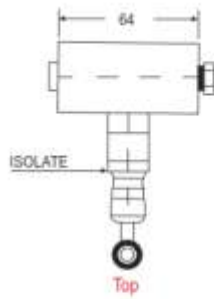
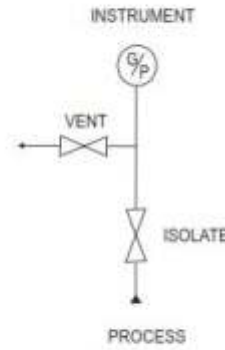




TWO VALVE MANIFOLD – Model : 2VM

With threaded horizontal port inlet, outlet & vent / test connection on the left hand side. The venting bonnet is positioned on the top & the isolating bonnet on the front.



STANDANRD CONNECTION

Product	Process Side	Instruments Side	Vent / Test
2VM	1/2" NPT FEMALE	1/2" NPT FEMALE	1/4" NPT FEMALE



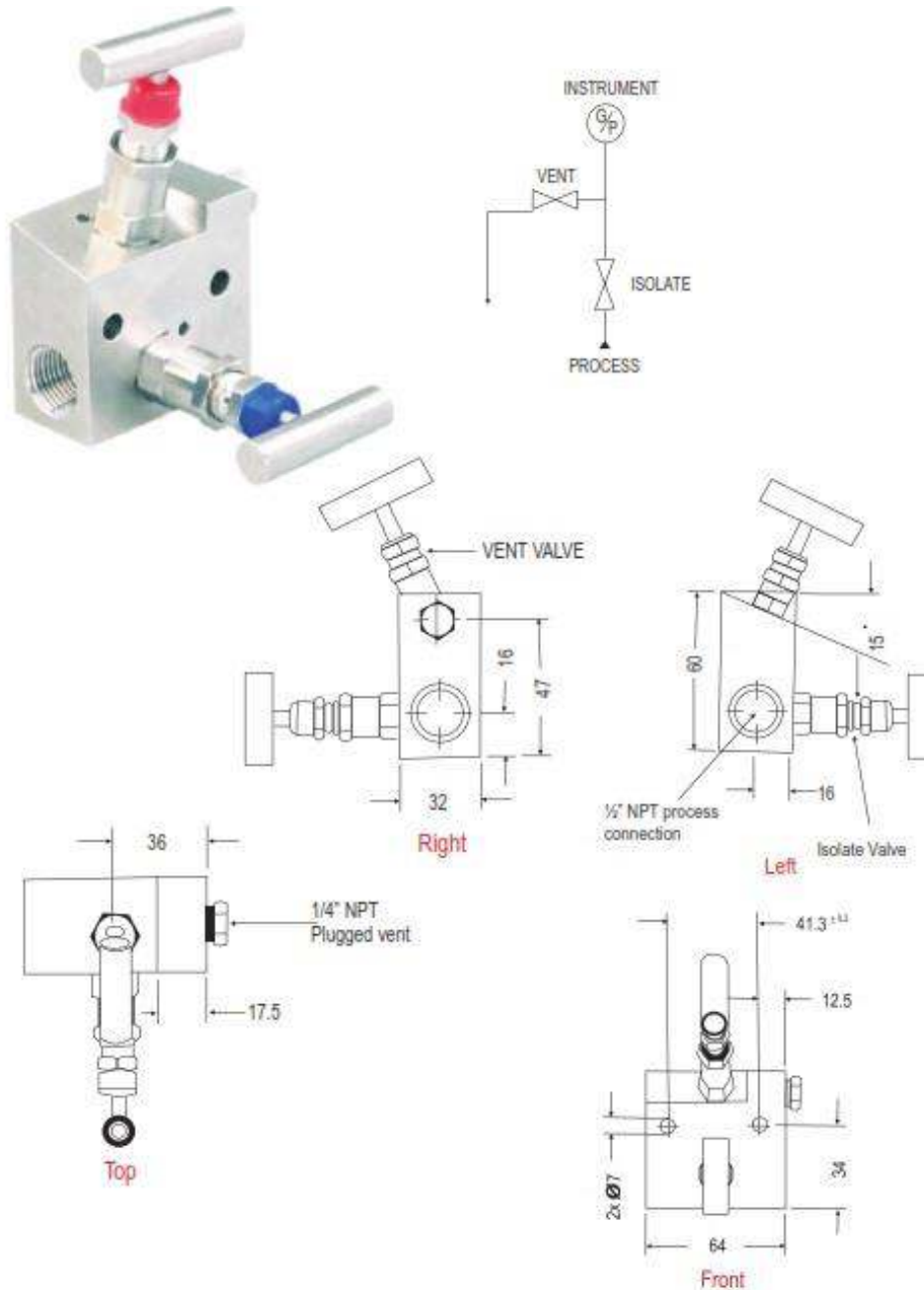
CONTACT DETAILS

B-501/504, 5th floor, Raunak Arcade, Near THC Hospital, Gokhale Road, Naupada, Thane(w) 400602. Maharashtra INDIA
 ● Telefax Nos.: 91-22-25301330 / 31 / 32 ● Skype: nitinkelkarskype ● Gtalk: nkstruments2006



TWO VALVE MANIFOLD – Model : 2VA

With threaded horizontal port inlet & outlet & vent / test connection on the right hand side. The venting bonnet is positioned angular on the top & the isolating bonnet on the front



Product	Process Side	Instruments Side	Vent / Test
2VA	½" NPT FEMALE	½" NPT FEMALE	¼" NPT FEMALE

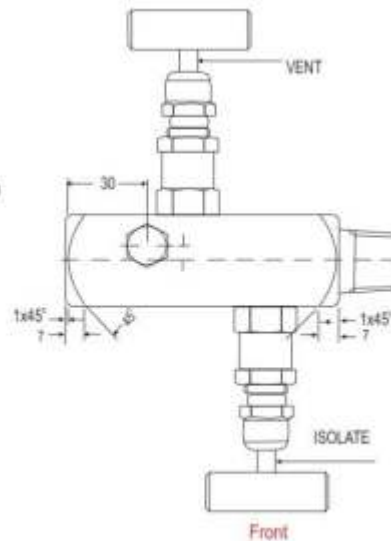
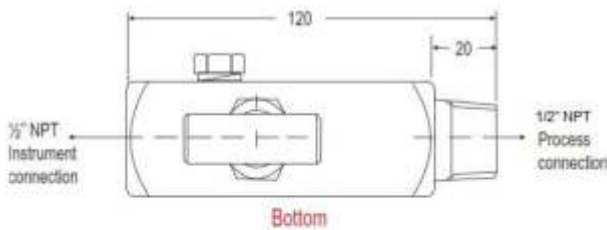
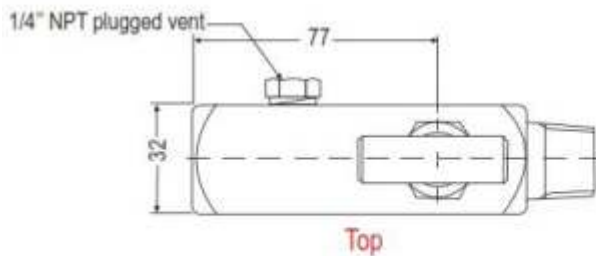
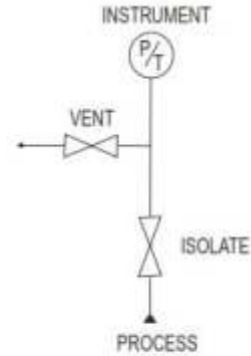


CONTACT DETAILS

B-501/504, 5th floor, Raunak Arcade, Near THC Hospital, Gokhale Road, Naupada, Thane(w) 400602. Maharashtra INDIA
 ● Telefax Nos.: 91-22-25301330 / 31 / 32 ● Skype: nitinkelkarskye ● Gtalk: nkstruments2006

TWO VALVE MANIFOLD – Model : 2VT

With threaded vertical port inlet & female outlet. The vent/test connection is positioned on the front side. The venting bonnet is positioned on the right hand side & the isolating bonnet on the left side



STANDARD CONNECTION

Product	Process Side	Instruments Side	Vent / Test
2VT	1/2" NPT MALE	1/2" NPT FEMALE	1/4" NPT FEMALE



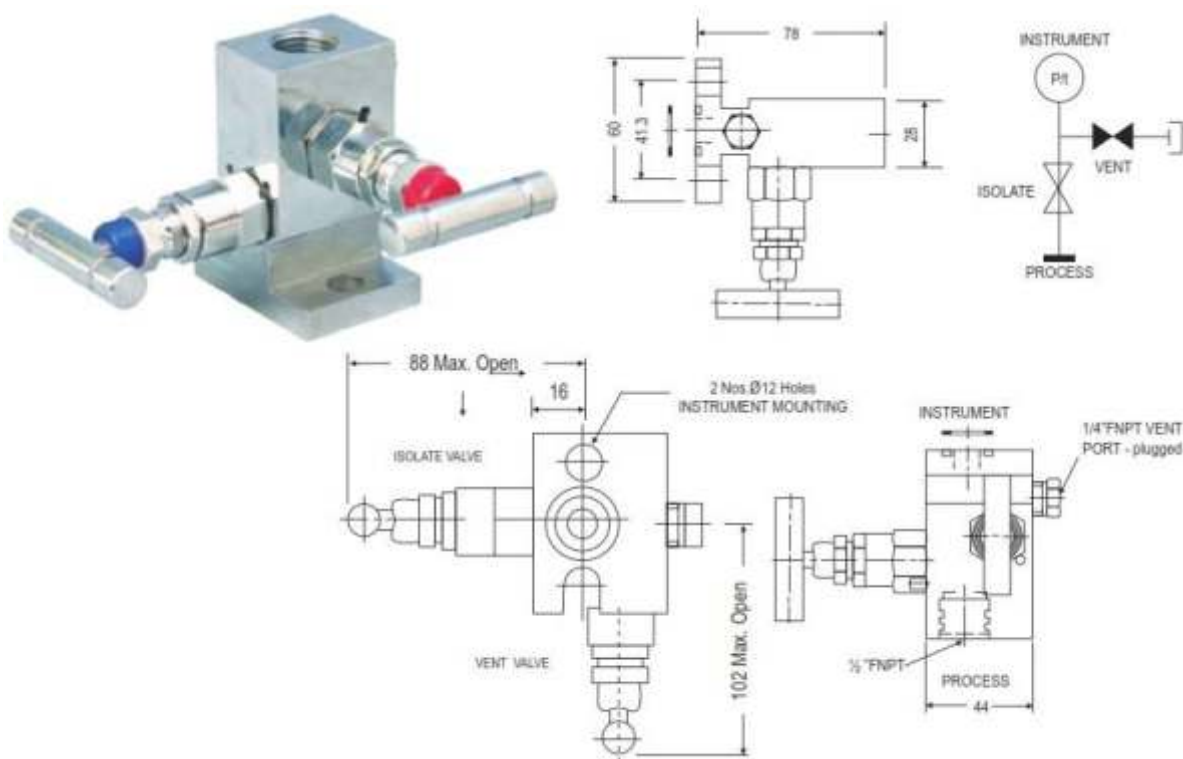
CONTACT DETAILS

B-501/504, 5th floor, Raunak Arcade, Near THC Hospital, Gokhale Road, Naupada, Thane(w) 400602. Maharashtra INDIA
 ● Telefax Nos.: 91-22-25301330 / 31 / 32 ● Skype: nitinkelkarskype ● Gtalk: nkinstruments2006



TWO VALVE MANIFOLD – Model : 2VQ

With threaded horizontal port inlet on the front side and Flange outlet on the back side, test connection on the body. The isolating bonnet are positioned on the left and right hand side and the Equalizing Bonnet is positioned on the top



STANDARD CONNECTION

Product	Process Side	Instruments Side	Vent / Test
2VQ	½" NPT FEMALE	FLANGE	¼" NPT FEMALE



CONTACT DETAILS

B-501/504, 5th floor, Raunak Arcade, Near THC Hospital, Gokhale Road, Naupada, Thane(w) 400602. Maharashtra INDIA
 ● Telefax Nos.: 91-22-25301330 / 31 / 32 ● Skype: nitinkelkarskye ● Gtalk: nkstruments2006



Standard version specifications of model 2VQ

Body	: SS 316
Stem	: SS 316
Valve assembly	: SS 316
'T' bar handle	: SS 304
Maximum working pressure	: 6000 psi
Maximum working temperature	: 240°C
Packing	: PTFE (Grafoil to be used for temperature above 240°C till 550°C)
Type of stem	: Type CT; Stem with conical metal tip
Drain port	: 1/4" NPT [F]; provided with SS 316 plug
Chrome plating	: Provided on stem tip

How to order : Valve Type2VQ

Body Material	Stem Type	Stem Packing	Size = Inlet x Outlet	Connections	Threads
C = Carbon Steel	CT	P = PTFE	2F = 1/4"x Flange	FF = Female x Female	N = NPT to ANSI B1.20.1
S = SS 316	DS	G = Grafoil	3F = 3/8"x Flange	SW = Socket weld	P = BSPPto BS2779
M = Monel 400					
H = Hastellogy C					

Options

GH	: Material test certificate
GO	: Hydro test certificate
IE	: Circular plastic.
TF	: Sour gas service to NACE standard MR-01-75.
SG	: Oxygen service. (manifolds are supplied cleaned and degreased)
DS	: Valves with stem having soft conical and delrin tip rolled into the needle for gas service.
MB	: Mounting bracket
MBC	: Mounting bolts [7/16" UNF] in carbon steel
MBS	: Mounting bolts [7/16" UNF] in SS

Example

To place as order simply refer to the codes in the table

Valve Type +	Body Material +	Stem Type +	Stem Packing +	Size +	Connections +	Threads+	Options
2VQ +	S +	CT +	P +	4F +	FF +	N	= FINAL

NOTE :

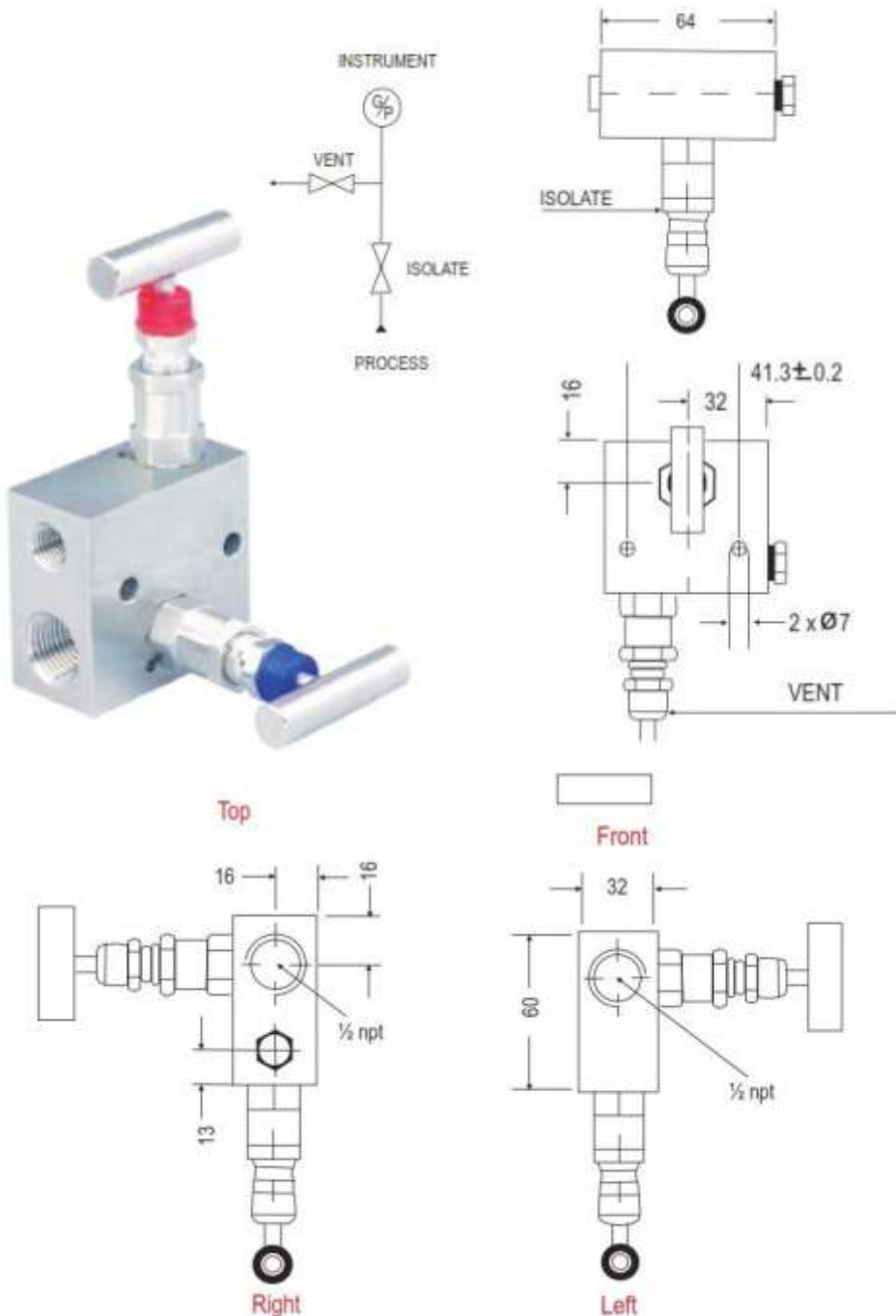
- The weld prepared types are available with female plain end – suitable for socket weld
- Anti-tamped bonnet – special design on request with locking arrangement if desired.

CONTACT DETAILS

B-501/504, 5th floor, Raunak Arcade, Near THC Hospital, Gokhale Road, Naupada, Thane(w) 400602. Maharashtra INDIA
 ● Telefax Nos.: 91-22-25301330 / 31 / 32 ● Skype: nitinkelkarskype ● Gtalk: nkinstruments2006

TWO VALVE MANIFOLD – Model: 2VH

With threaded horizontal port inlet, outlet and vent/test connection on the left hand side. The venting bonnet is positioned on the top and the isolating bonnet on the front.



STANDARD CONNECTION :

Product	Process Side	Instruments Side	Vent / Test
2VH	½” NPT FEMALE	½” NPT FEMALE	½” NPT FEMALE



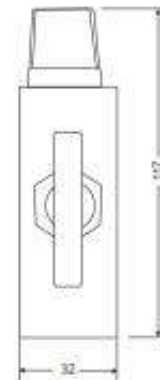
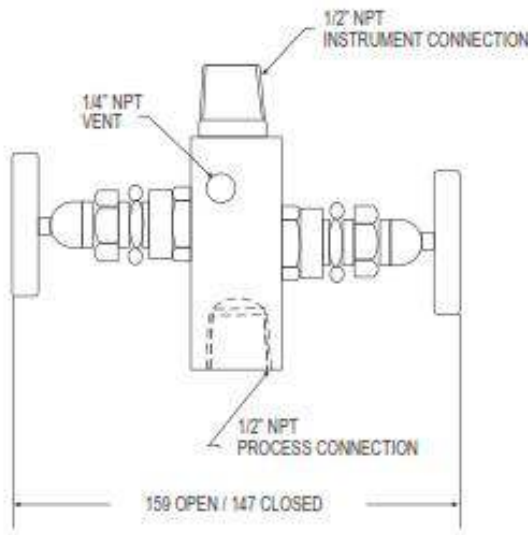
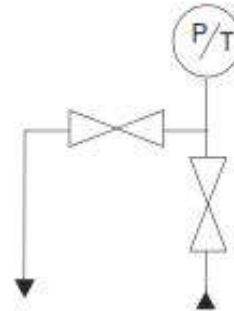
CONTACT DETAILS

B-501/504, 5th floor, Raunak Arcade, Near THC Hospital, Gokhale Road, Naupada, Thane(w) 400602. Maharashtra INDIA
 ● Telefax Nos.: 91-22-25301330 / 31 / 32 ● Skype: nitinkelkarskype ● Gtalk: nkinstruments2006



TWO VALVE MANIFOLD – Model : 2VTF

With the vent is positioned near the male instrument connection side.



STANDARD CONNECTION

Product	Process Side	Instruments Side	Vent / Test
2VTF	½" NPT FEMALE	½" NPT MALE	¼" NPT FEMALE



CONTACT DETAILS

B-501/504, 5th floor, Raunak Arcade, Near THC Hospital, Gokhale Road, Naupada, Thane(w) 400602. Maharashtra INDIA

● Telefax Nos.: 91-22-25301330 / 31 / 32

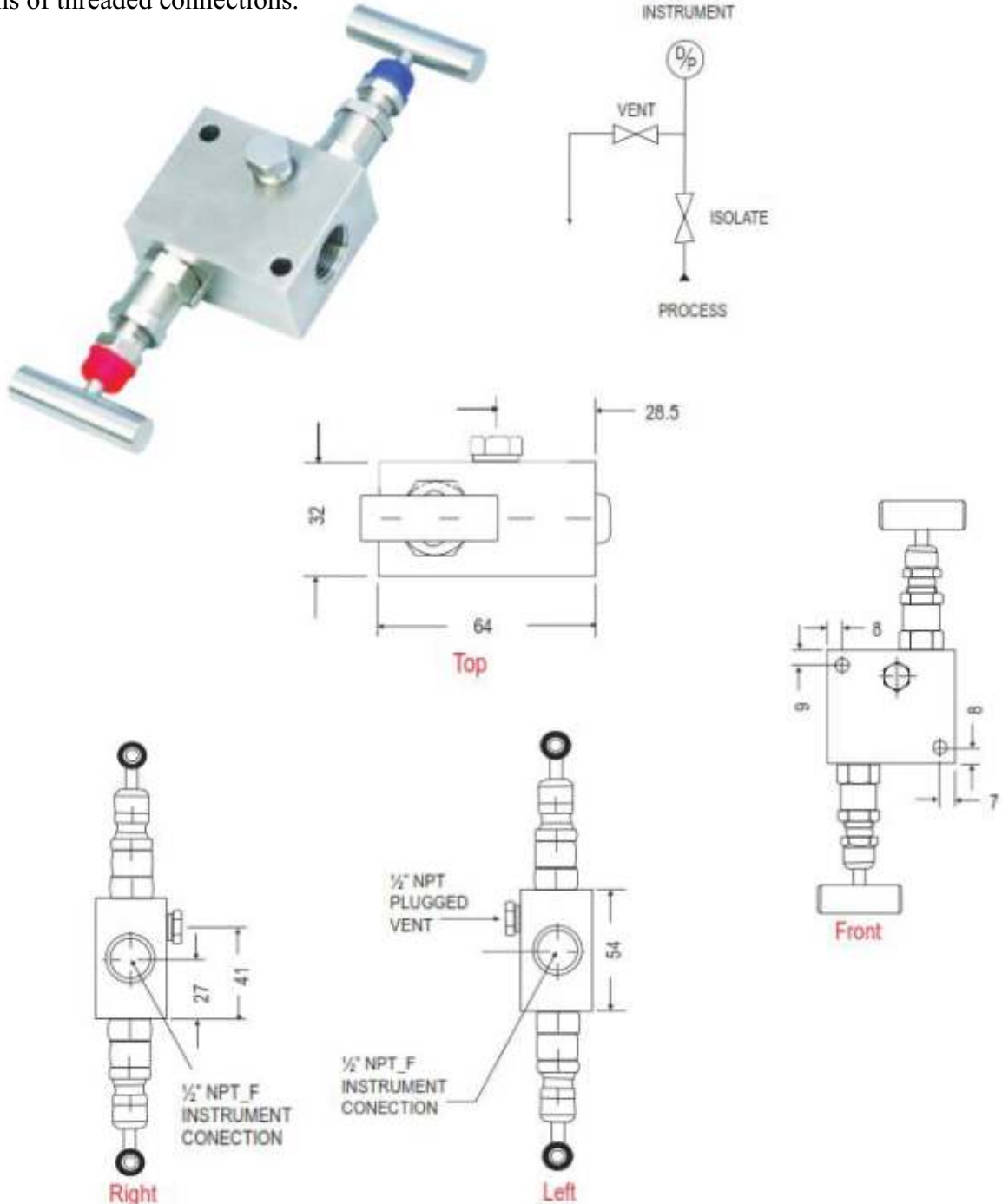
● Skype: nitinkelkarskye

● Gtalk: nkstruments2006



TWO VALVE MANIFOLD – Model : 2VS

With threaded vertical port inlet & outlet. The vent / test connection is positioned on the right hand side & the isolating bonnet on the left hand side. Remote or direct mounting by means of threaded connections.



STANDARD CONNECTION

Product	Process Side	Instruments Side	Vent / Test
2VS	½" NPT FEMALE	½" NPT FEMALE	¼" NPT FEMALE



CONTACT DETAILS

B-501/504, 5th floor, Raunak Arcade, Near THC Hospital, Gokhale Road, Naupada, Thane(w) 400602. Maharashtra INDIA
 ● Telefax Nos.: 91-22-25301330 / 31 / 32 ● Skype: nitinkelkarskype ● Gtalk: nkinstruments2006



PRESSURE	VACCUM	DP	FLOW	VELOCITY	LEVEL	TEMPERATURE	CONDUCTIVITY	pH	VIBRATION
----------	--------	----	------	----------	-------	-------------	--------------	----	-----------

Standard version specifications of model 2VH,2VT, 2VTF, 2VA, 2VS, 2VM

Body	: SS 316
Stem	: SS 316
Valve assembly	: SS 316
'T' bar handle	: SS 304
Maximum working pressure	: 6000 psi
Maximum working temperature	: 240°C
Packing of stem	: PTFE (Grafoil to be used for temperature above 240°C till 550°C) Type
Drain port	: 1/4" NPT [F]; provided with SS 316 plug
Bracket mounting holes	: 2 Nos. (Not available in models 2V,2VTF)
Chrome plating	: Provided on stem tip and female threads of valve.

How to order : Valve Type 2VH,2VT, 2VTF, 2VA, 2VS, 2VM

Body Material	Stem Type	Stem Packing	Size = Inlet x Outlet	Connections	Threads
C = Carbon Steel	CT	P = PTFE	24 = 1/4" x 1/4"	MF = Male x Female	N = NPT to ANSI B1.20.1
S = SS 316	DS	G = Grafoil	33 = 3/8" x 3/8"	FF = Female x Female	P = BSPP to BS2779
SL = SS 316L M			44 = 1/2" x 1/2"	SW = Socket weld	B = BSPT to BS21
= Monel 400			2F = 1/4" x Flange		
H = Hastelloy C			3F = 3/8" x Flange	FM = Female x Male	
			4F = 1/2" x Flange		

Options

- GH : Material test certificate
- GO : Hydro test certificate
- IE : Circular plastic.
- TF : Sour gas service to NACE standard MR-01-75.
- SG : Oxygen service. (manifolds are supplied cleaned and degreased)
- DS : Valves with stem having soft conical and delrin tip rolled into the needle for gas service.
- MB : Mounting bracket
- MBC : Mounting bolts [7/16" UNF] in carbon steel
- MBS : Mounting bolts [7/16" UNF] in SS

Example

To place as order simply refer to the codes in the table

Valve Type +	Body Material +	Stem Type +	Stem Packing +	Size +	Connections +	Threads +	Options
2VA +	S +	CT +	P +	44 +	FF +	N +	= FINAL

NOTE :

- The weld prepared types are available with female plain end – suitable for socket weld
- Anti-tamped bonnet – special design on request with locking arrangement if desired.

CONTACT DETAILS

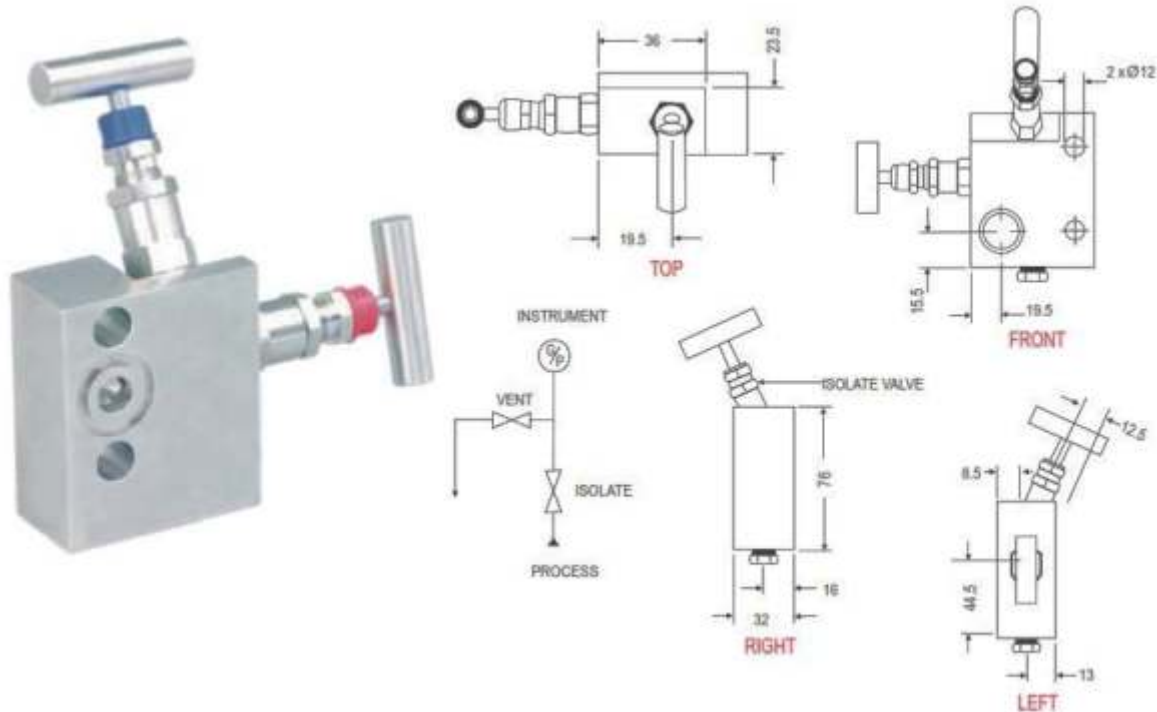
B-501/504, 5th floor, Raunak Arcade, Near THC Hospital, Gokhale Road, Naupada, Thane(w) 400602. Maharashtra INDIA
 ● Telefax Nos.: 91-22-25301330 / 31 / 32 ● Skype: nitinkelkarskye ● Gtalk: nkinstruments2006

E-Mail: sales@nkinstruments.com

Web: www.nkinstruments.com

TWO VALVE MANIFOLD – Model : 2VF

With threaded horizontal port inlet with a Flange outlet instrument connection. A vent/test port on base. The venting bonnet is positioned on the left hand side and the isolating bonnet angular on the top.



STANDARD CONNECTION

Product	Process Side	Instruments Side	Vent / Test
2VM	½” NPT FEMALE	FLANGE	¼” NPT FEMALE

Standard version specifications of model 2VF

- Body : SS 316
- Stem : SS 316
- Valve assembly : SS 316
- 'T' bar handle : SS 304
- Maximum working pressure : 6000 psi
- Maximum working temperature : 240°C
- Packing : PTFE (Grafoil to be used for temperature above 240°C till 550°C)
- Type of stem : Type CT; Stem with conical metal tip
- Drain port : ¼” NPT [F]; provided with SS 316 plug
- Bracket mounting holes : 2 Nos.
- Chrome plating : Provided on stem tip.



CONTACT DETAILS

B-501/504, 5th floor, Raunak Arcade, Near THC Hospital, Gokhale Road, Naupada, Thane(w) 400602. Maharashtra INDIA
 ● Telefax Nos.: 91-22-25301330 / 31 / 32 ● Skype: nitinkelkarskye ● Gtalk: nkinstruments2006



PRESSURE	VACCUM	DP	FLOW	VELOCITY	LEVEL	TEMPERATURE	CONDUCTIVITY	pH	VIBRATION
----------	--------	----	------	----------	-------	-------------	--------------	----	-----------

How to order : Valve Type2VF

Body Material	Stem Type	Stem	Size = Inlet x	Connections	Threads
C = Carbon	CT	P = PTFE	24 = 1/4" x 1/4"	MF = Male x Female	N = NPT to ANSI
S = SS 316	DS	G = Grafoil	33 = 3/8" x 3/8"	FF = Female x Female	P = BSP to BS2779
SL = SS			44 = 1/2" x 1/2"	SW = Socket weld	B = BSPT to BS21
316L M =			2F = 1/4" x Flange		
H = Hastelloy			3F = 3/8" x Flange	FM = Female x Male	
C			4F = 1/2" x Flange		

Options

- GH : Material test certificate
- GO : Hydro test certificate
- IE : Circular plastic.
- TF : Sour gas service to NACE standard MR-01-75.
- SG : Oxygen service. (manifolds are supplied cleaned and degreased)
- DS : Valves with stem having soft conical and delrin tip rolled into the needle for gas service.
- MB : Mounting bracket
- MBC : Mounting bolts [7/16" UNF] in carbon steel
- MBS : Mounting bolts [7/16" UNF] in SS

Example

To place an order simply refer to the codes in the table

Valve Type +	Body Material +	Stem Type +	Stem Packing +	Size +	Connections +	Threads +	Options
2VF +	S +	CT +	P +	44 +	FF +	N +	= FINAL

NOTE :

- The weld prepared types are available with female plain end – suitable for socket weld
- Anti-tamped bonnet – special design on request with locking arrangement if desired.

CONTACT DETAILS

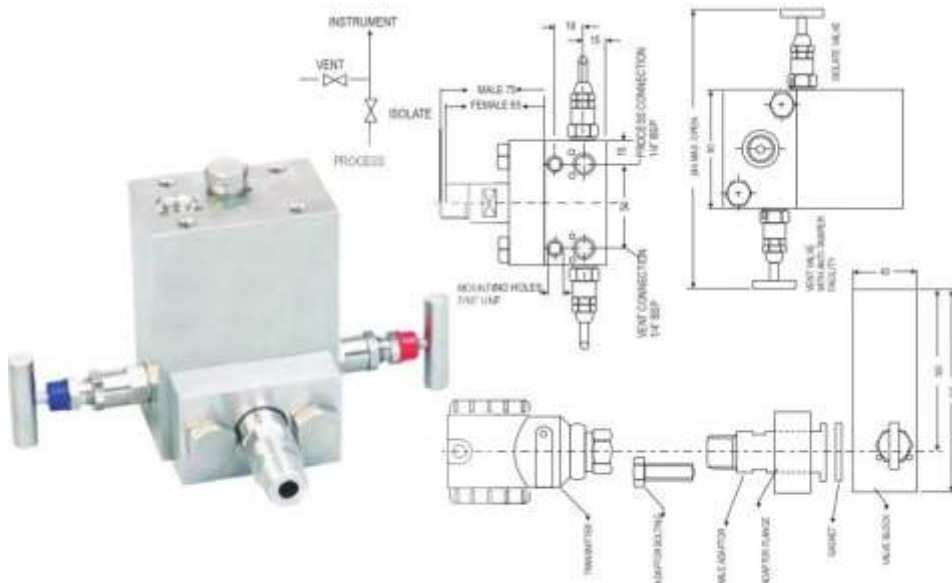
B-501/504, 5th floor, Raunak Arcade, Near THC Hospital, Gokhale Road, Naupada, Thane(w) 400602. Maharashtra INDIA
 ● Telefax Nos.: 91-22-25301330 / 31 / 32 ● Skype: nitinkelkarskype ● Gtalk: nkinstruments2006

E-Mail: sales@nkinstruments.com

Web: www.nkinstruments.com

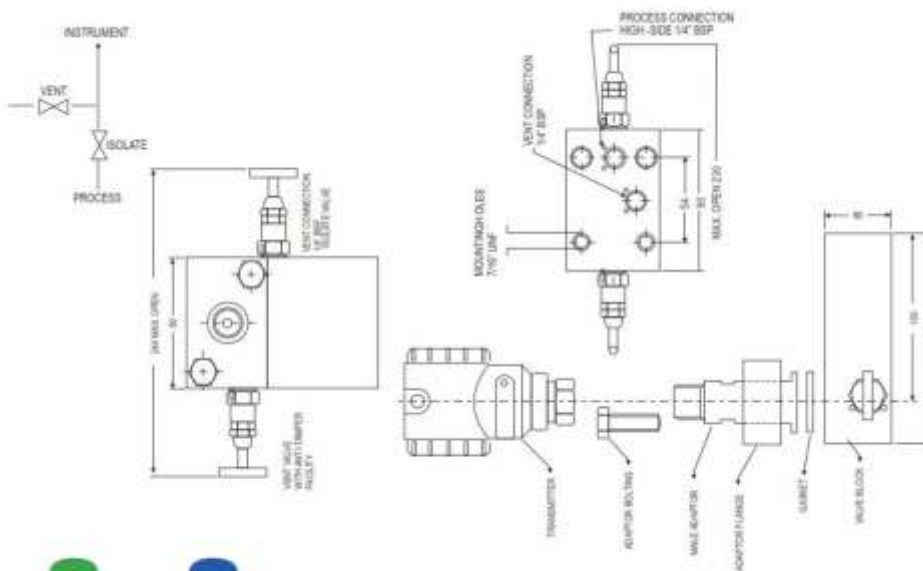
TWO VALVE MANIFOLD – Model : 2VR

Special two valve manifold designed to accommodate threaded direct transmitters and pressure instruments with inlet at front and outlet on top, vent/test connection at front; venting bonnet at left side and isolating bonnet at right.



Model : 2VRM

Special two valve manifold designed to accommodate threaded direct transmitters and pressure instruments with inlet at front and outlet on top, vent/test connection at front; venting bonnet at left side and isolating bonnet at right. (Measurement differs from the model 2VR).

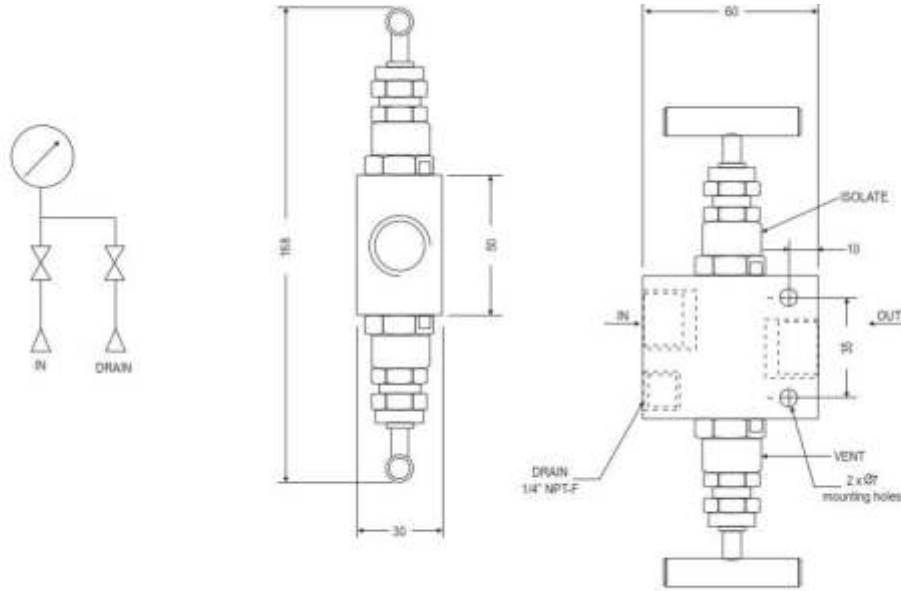


CONTACT DETAILS

B-501/504, 5th floor, Raunak Arcade, Near THC Hospital, Gokhale Road, Naupada, Thane(w) 400602. Maharashtra INDIA
 ● Telefax Nos.: 91-22-25301330 / 31 / 32 ● Skype: nitinkelarskye ● Gtalk: nkstruments2006

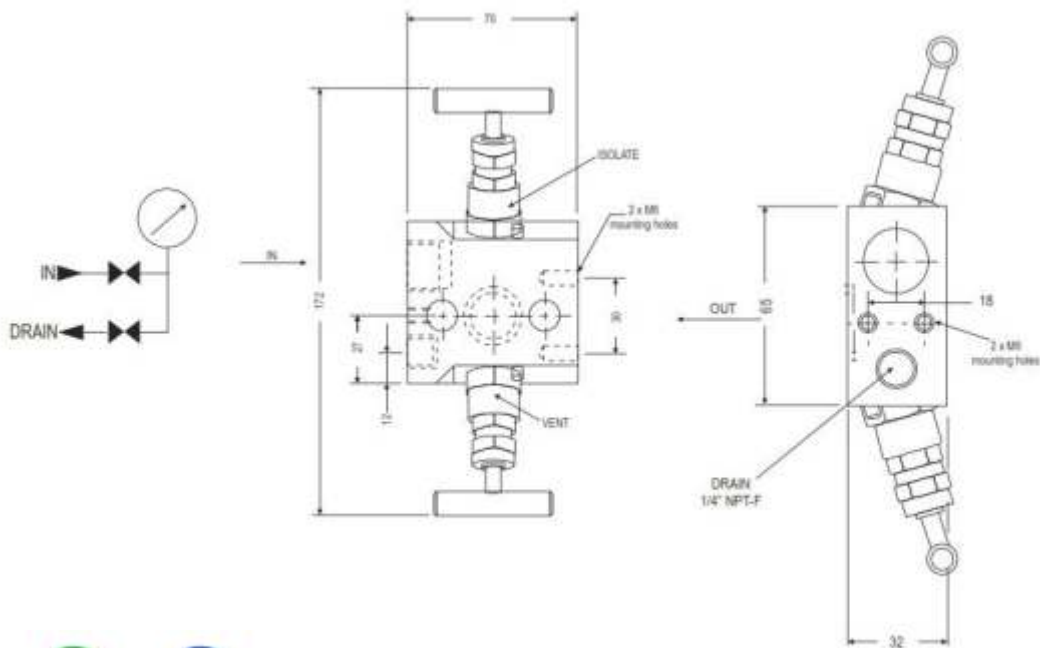
SPECIAL TWO VALVE MANIFOLD – Model : 2VB

Special Two Valve Manifold with threaded port for inlet & outlet. The isolating bonnet is on the left side and the venting bonnet is on the right side.



Model : 2VC

Special Two Valve Manifold with threaded inlet port on the bottom side process connecting on the back side. The isolating bonnet is on the left side and the venting bonnet is on the right side.

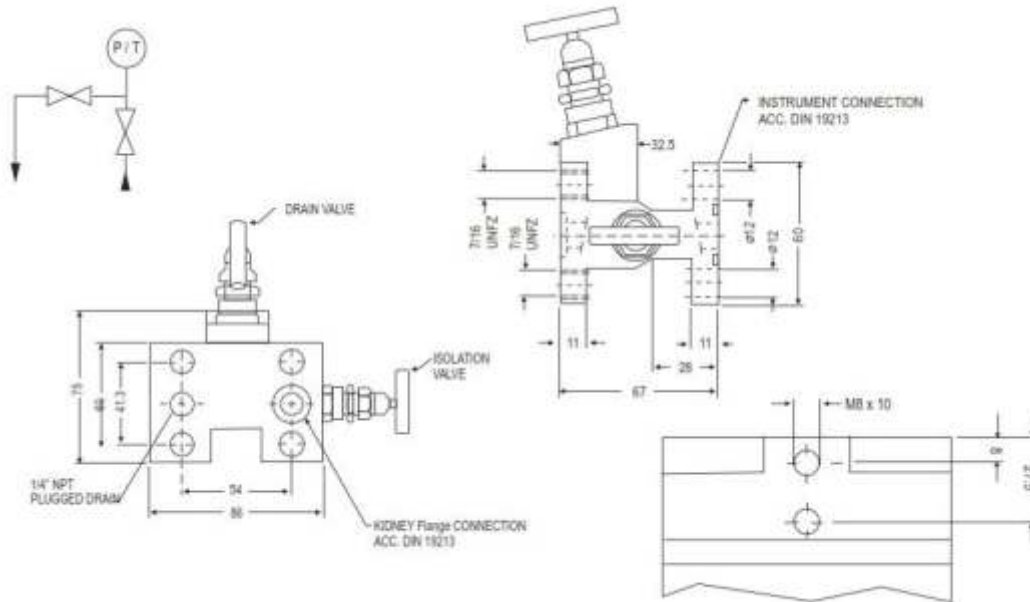


CONTACT DETAILS

B-501/504, 5th floor, Raunak Arcade, Near THC Hospital, Gokhale Road, Naupada, Thane(w) 400602. Maharashtra INDIA
 ● Telefax Nos.: 91-22-25301330 / 31 / 32 ● Skype: nitinkelkarskype ● Gtalk: nkstruments2006

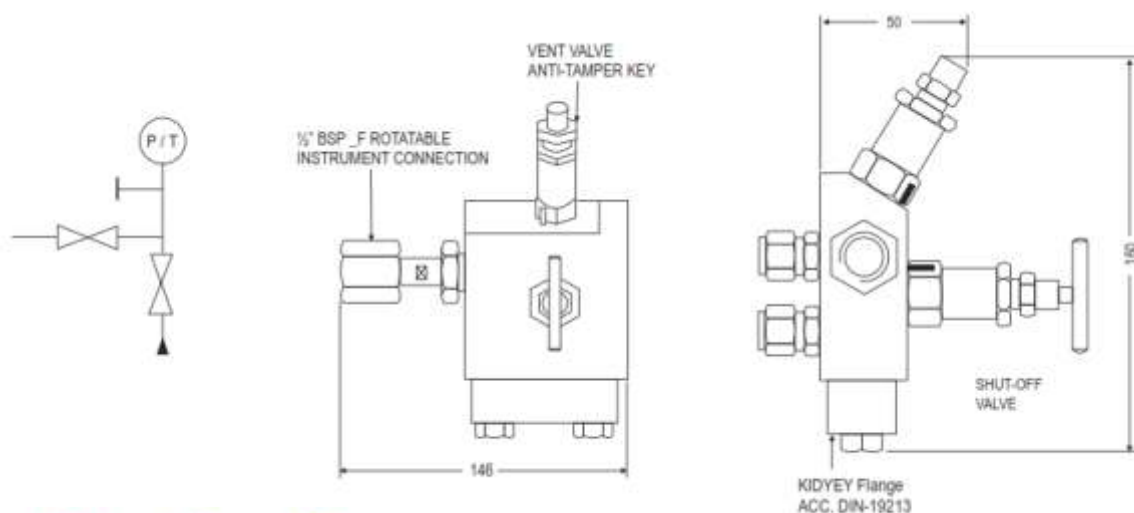
SPECIAL TWO VALVE COMPACT MANIFOLD – Model : 2VK

Special Two valve Compact manifold to accommodate any full DIN 19213 interface complaint pressure transmitter with inlet Flange to fit DIN 19213 & outlet also Flange to DIN 19213. Vent / Test connection at front side, venting bonnet at the right side & isolating bonnet on the top.



Model : 2VFS

Special Two valve manifold with threaded horizontal port NPT Female inlet & horizontal BSP female rotatable instrument connection with vent / test connection at the back side. The venting bonnet is positioned angular at the top side & the isolating bonnet at the front side.

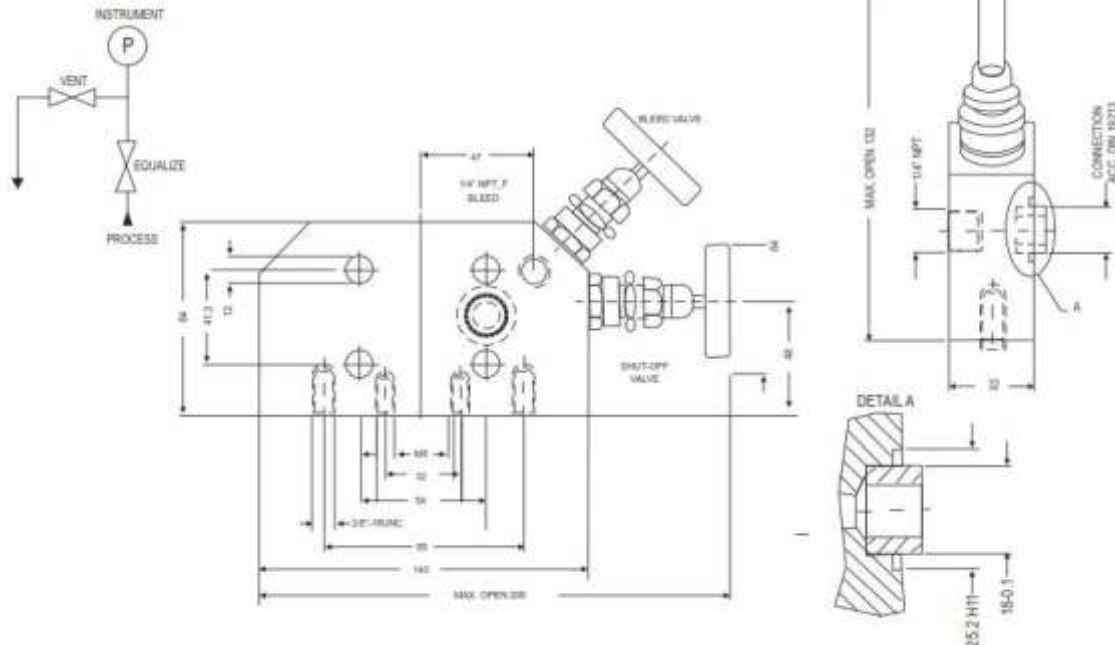


CONTACT DETAILS

B-501/504, 5th floor, Raunak Arcade, Near THC Hospital, Gokhale Road, Naupada, Thane(w) 400602. Maharashtra INDIA
 ● Telefax Nos.: 91-22-25301330 / 31 / 32 ● Skype: nitinkelkarskype ● Gtalk: nkstruments2006

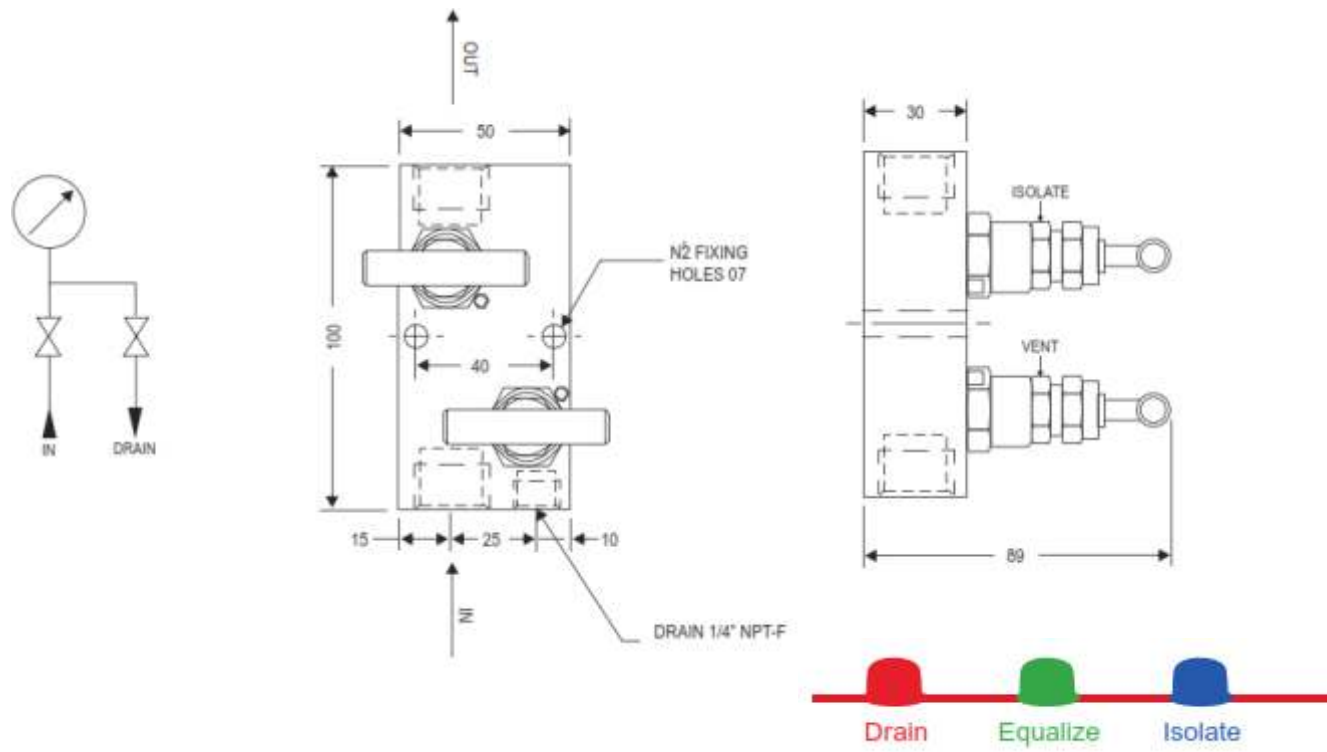
Model : 2V42

Special Two valve manifold especially designed to suit FR 3051 transmitters with inlet NPT female at front, outlet Flange to DIN 19213 at back side- vent/test connection at back, isolating bonnet at left, venting bonnet angular at left hand side.



Model : 2VZ

Special two valve manifold with vertical threaded port at inlet and outlet. Isolating & venting bonnet on top and drain port near inlet port.

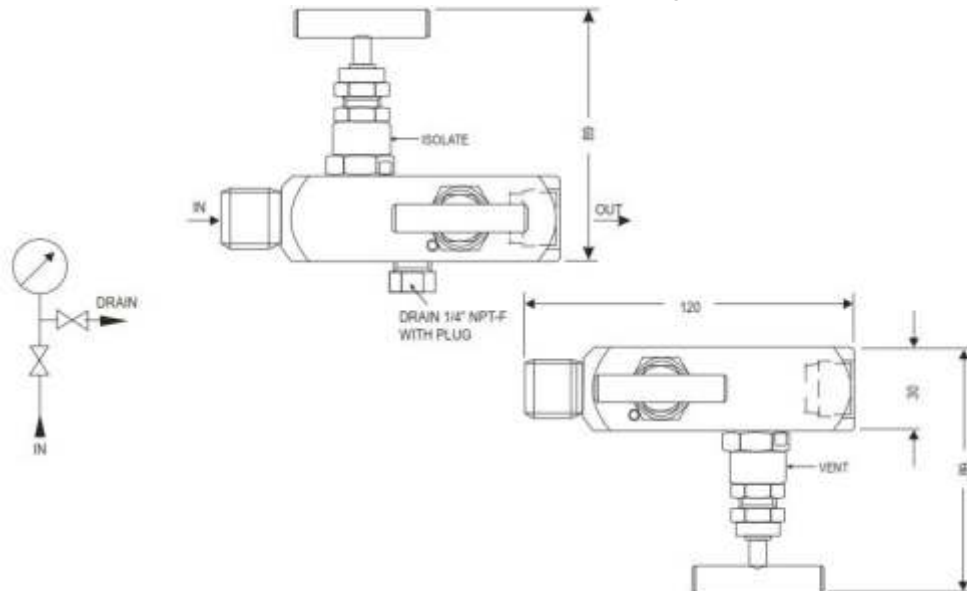


CONTACT DETAILS

B-501/504, 5th floor, Raunak Arcade, Near THC Hospital, Gokhale Road, Naupada, Thane(w) 400602. Maharashtra INDIA
● Telefax Nos.: 91-22-25301330 / 31 / 32 ● Skype: nitinkelkarskype ● Gtalk: nkstruments2006

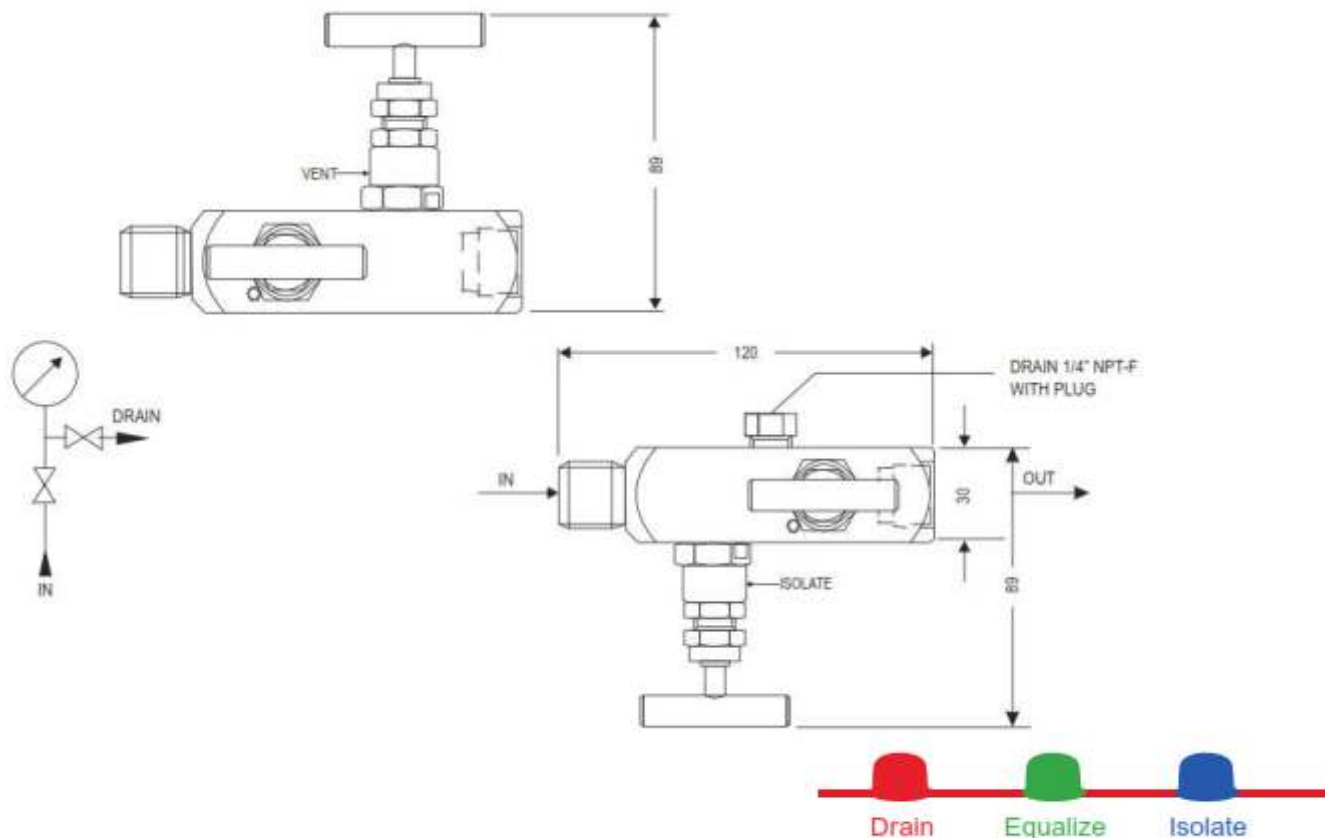
Model : 2VDR

Special two valve manifold with vertical threaded port at inlet and outlet. The vent / test connection is positioned on the right side, venting bonnet is positioned on top & isolating on left side.



Model : 2VDL

Special two valve manifold with vertical threaded port at inlet and outlet. The vent / test connection is positioned on the left side, venting bonnet is positioned on top & isolating on right side.

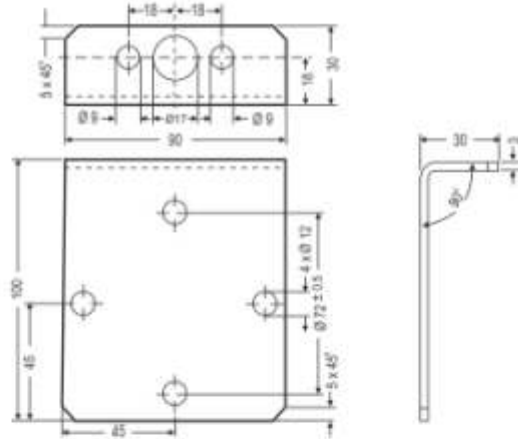


CONTACT DETAILS

B-501/504, 5th floor, Raunak Arcade, Near THC Hospital, Gokhale Road, Naupada, Thane(w) 400602. Maharashtra INDIA
 ● Telefax Nos.: 91-22-25301330 / 31 / 32 ● Skype: nitinkelkarskye ● Gtalk: nkstruments2006

MOUNTING BRACKETS

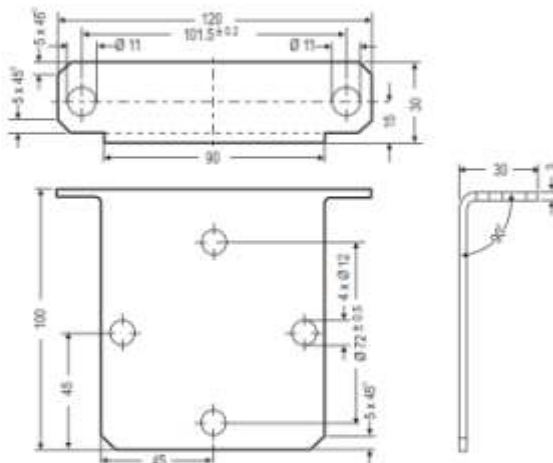
MB 1



Mounting bracket for :

2VF

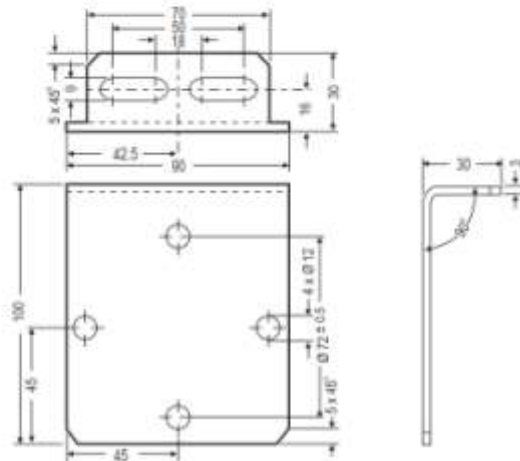
MB 2



Mounting bracket for :

3VO
3VP
5VP
5VS

MB 3



Mounting bracket for :

SVH
SVV
2VA
2VH
3VA
3VB
3VD
3VH
3VT
5VA
5VG
5VH
5VN
5VT

Mounting bracket set will be delivered with 2" U-bolt and nuts.

CONTACT DETAILS

B-501/504, 5th floor, Raunak Arcade, Near THC Hospital, Gokhale Road, Naupada, Thane(w) 400602. Maharashtra INDIA
 ● Telefax Nos.: 91-22-25301330 / 31 / 32 ● Skype: nitinkelcarskype ● Gtalk: nkinstruments2006