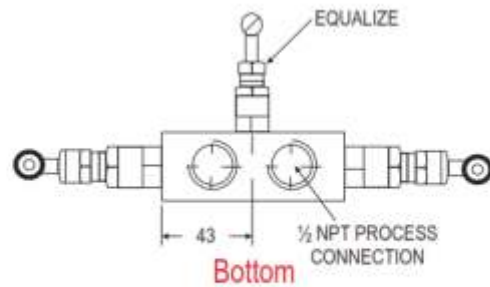
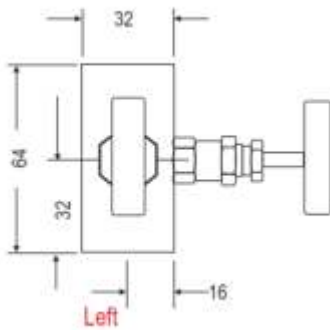
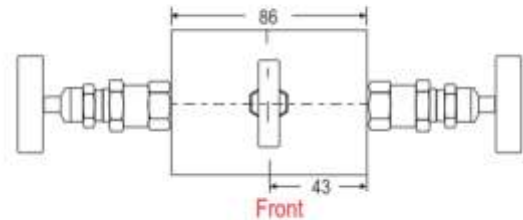
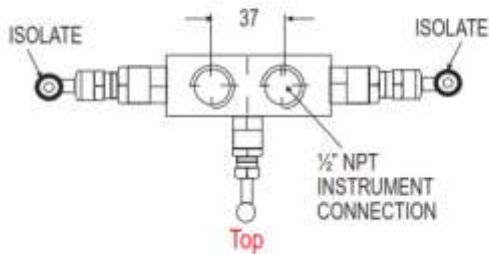
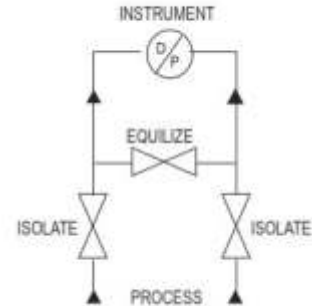




Model : 3VM

With threaded vertical port inlets & outlets. The isolating bonnets are positioned on the left & right hand side & the equalizing bonnet is positioned on the front. This manifold is specially designed as miniature value to be remote mounted.



Standard Connection

Product	Process Side	Instruments Side
3VM	1/2" NPT FEMALE	1/2" NPT FEMALE



CONTACT DETAILS

B-501/504, 5th floor, Raunak Arcade, Near THC Hospital, Gokhale Road, Naupada, Thane(w) 400602. Maharashtra INDIA
 ● Telefax Nos.: 91-22-25301330 / 31 / 32 ● Skype: nitinkelkarskype ● Gtalk: nkstruments2006

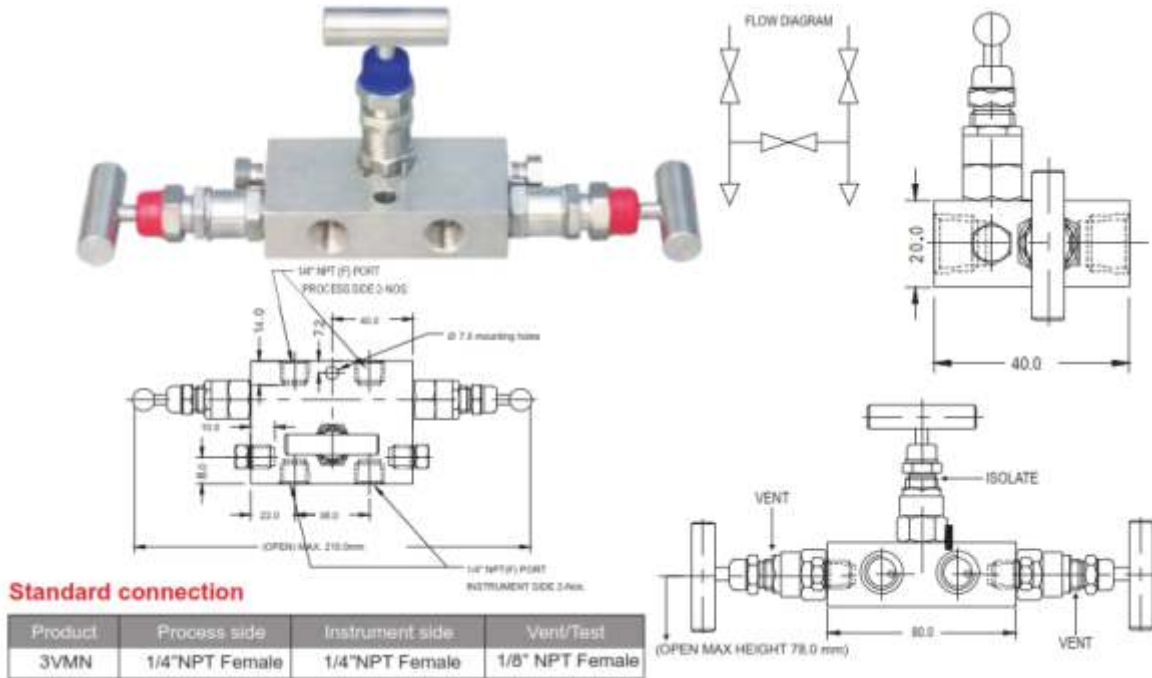
E-Mail: sales@nkstruments.com

Web: www.nkstruments.com



Model : 3VMN

Three valves Miniature manifold with compact design having threaded port for inlet and out let and find application for isolating and venting the process media. This is used where space is a constraint. The isolating bonnets positioned on top and venting bonnets are positioned on right and left hand side. Connection: 1/4" (F) For Instrument and process along with 1/8" (F) Drain Maximum Working Pressure 3000 PSI



CONTACT DETAILS

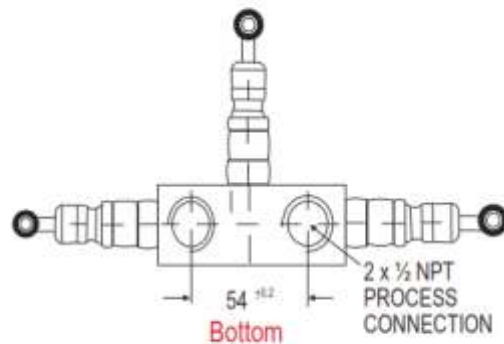
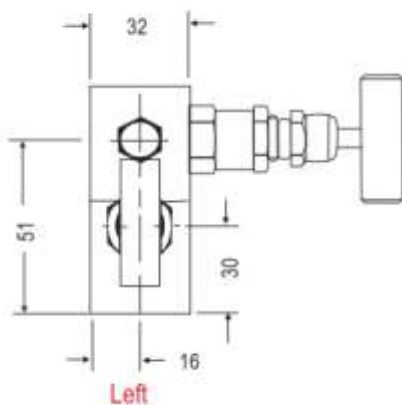
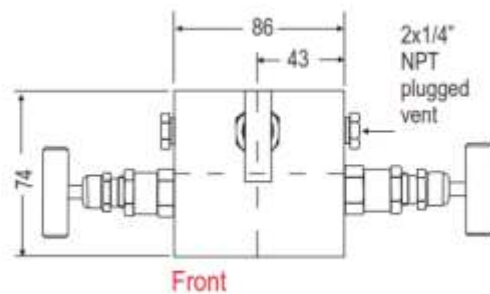
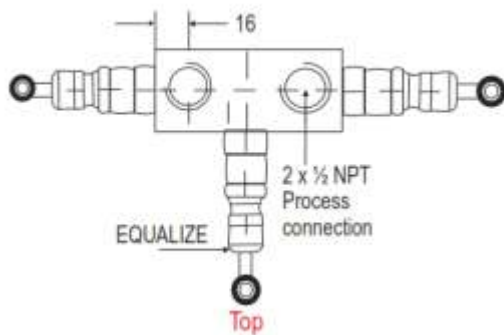
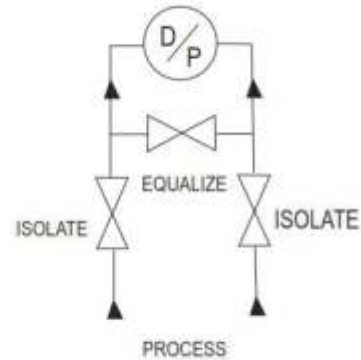
B-501/504, 5th floor, Raunak Arcade, Near THC Hospital, Gokhale Road, Naupada, Thane(w) 400602. Maharashtra INDIA
 ● Telefax Nos.: 91-22-25301330 / 31 / 32 ● Skype: nitinkelkarsype ● Gtalk: nkinstruments2006

E-Mail: sales@nkinstruments.com

Web: www.nkinstruments.com

Three Valve Manifolds : Model – 3VS

With two threaded vertical port inlets & outlets, both test connections are positioned on the left & right hand side. The two isolating bonnets are positioned on the left & right hand side & the equalizing bonnet is positioned on the front..



Standard Connection

Product	Process Side	Instruments Side	Vent / Test
3VS	1/2" NPT FEMALE	1/2" NPT FEMALE	1/4" NPT FEMALE

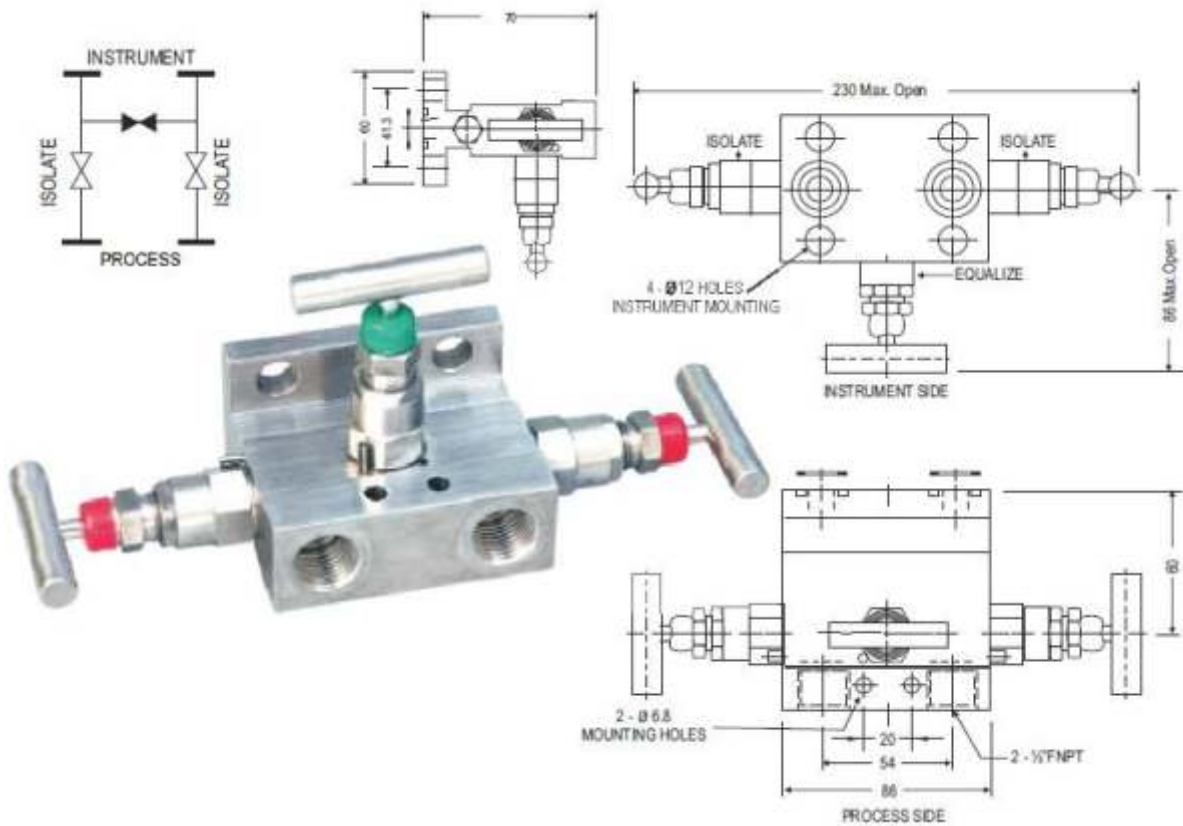


CONTACT DETAILS

B-501/504, 5th floor, Raunak Arcade, Near THC Hospital, Gokhale Road, Naupada, Thane(w) 400602. Maharashtra INDIA
 ● Telefax Nos.: 91-22-25301330 / 31 / 32 ● Skype: nitinkelkarskype ● Gtalk: nkinstruments2006

Model : 3VQ

With threaded horizontal port inlet on the front side and Flange outlet on the back side without test/vent connection. The isolating bonnets are positioned on the left and right hand side and Equalizing bonnet is positioned on the top.



STANDARD CONNECTION

Product	Process side	Instrument side
3Q	1/2" NPT female	Flange



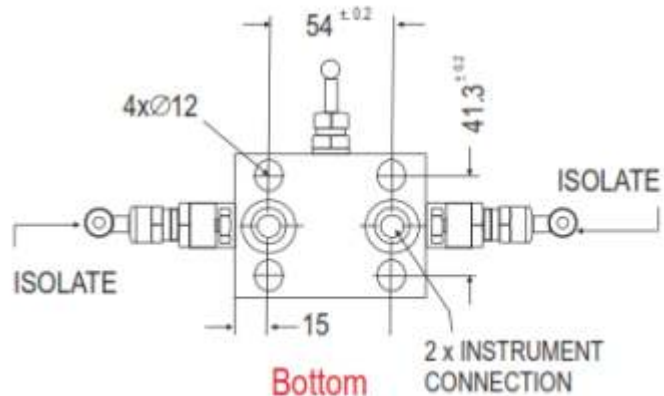
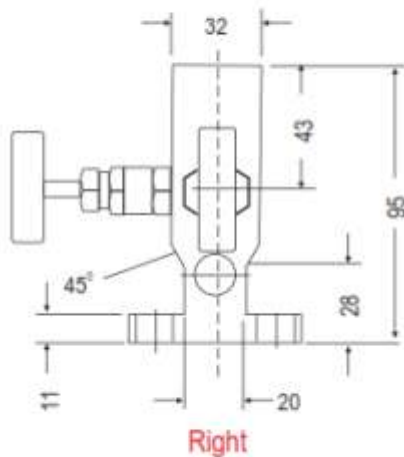
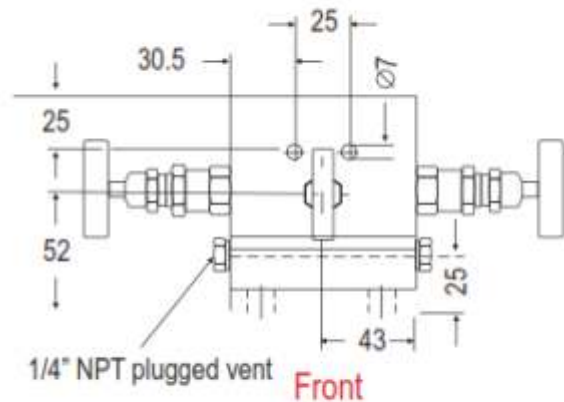
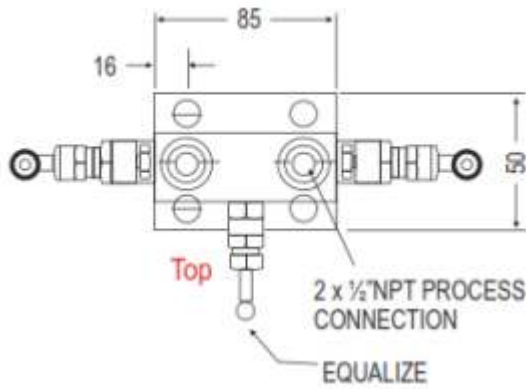
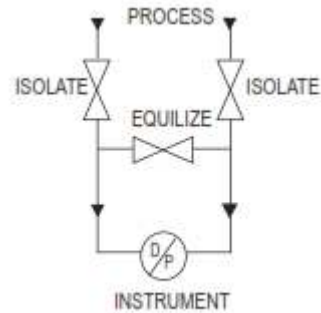
CONTACT DETAILS

B-501/504, 5th floor, Raunak Arcade, Near THC Hospital, Gokhale Road, Naupada, Thane(w) 400602. Maharashtra INDIA
 ● Telefax Nos.: 91-22-25301330 / 31 / 32 ● Skype: nitinkelkarskype ● Gtalk: nkinstruments2006



Model : 3VH

With threaded horizontal port inlets on the front side and Flange outlets on the back side. Two test connections positioned on the left and right hand side of the body. The isolating bonnets are positioned on the left and right hand side and the equalizing bonnet is positioned on the top



STANDARD CONNECTION

Product	Process side	Instrument side	Vent/Test
3VH	1/2" NPT female	Flange	1/4" NPT female



CONTACT DETAILS

B-501/504, 5th floor, Raunak Arcade, Near THC Hospital, Gokhale Road, Naupada, Thane(w) 400602. Maharashtra INDIA
 ● Telefax Nos.: 91-22-25301330 / 31 / 32 ● Skype: nitinkelkarskype ● Gtalk: nkstruments2006



PRESSURE	VACCUM	DP	FLOW	VELOCITY	LEVEL	TEMPERATURE	CONDUCTIVITY	pH	VIBRATION
----------	--------	----	------	----------	-------	-------------	--------------	----	-----------

Standard version specifications of model 3VT, 3VH, 3VQ

Body	: SS 316
Stem	: SS 316
Valve assembly	: SS 316
'T' bar handle	: SS 304
Maximum working pressure	: 6000 psi
Maximum working temperature	: 240°C
Packing	: PTFE (Grafoil to be used for temperature above 240 C till 550C)
Type of stem	: Type CT; Stem with conical metal tip

How to order : Valve Type - 3VT, 3VH,3VQ

Body Material	Stem Type	Stem Packing	Size = Inlet x Outlet	Connections	Threads
C = Carbon Steel	CT(std)	P = PTFE(std)	4F= 1/2" x Flange	FD = Female x Flange(54mm)	N = NPT to ANSI B1.20.1
S = SS 316(std)	DS	G = Grafoil	2F = 1/4" x Flange	SW = Socket Weld	P = BSPP to BS2779
SL = SS 316L				DD = Flange x Flange (54mm)	B = BSPT to BS21
M = Monel 400					
H = Hastelloy C					

Options

GH	: Material test certificate
GO	: Hydro test certificate
MBC	: Mounting bolts [7/16" UNF] in carbon steel
MBS	: Mounting bolts [7/16" UNF] in SS
IE	: Circular plastic.
TF	: Sour gas service to NACE standard MR-01-75.
SG	: Oxygen service. (manifolds are supplied cleaned and degreased)
DS	: Valves with stem having soft conical and delrin tip rolled into the needle for gas service.
MB	: Mounting bracket

Example

To place an order simply refer to the codes in the table.

Valve Type:	Body Material+	Stem Type+	Stem Packing+	Size+	Connections +	Threads+	Options+
3VT :	S+	CT+	P+	4F+	FD+	N	Final Order

NOTE

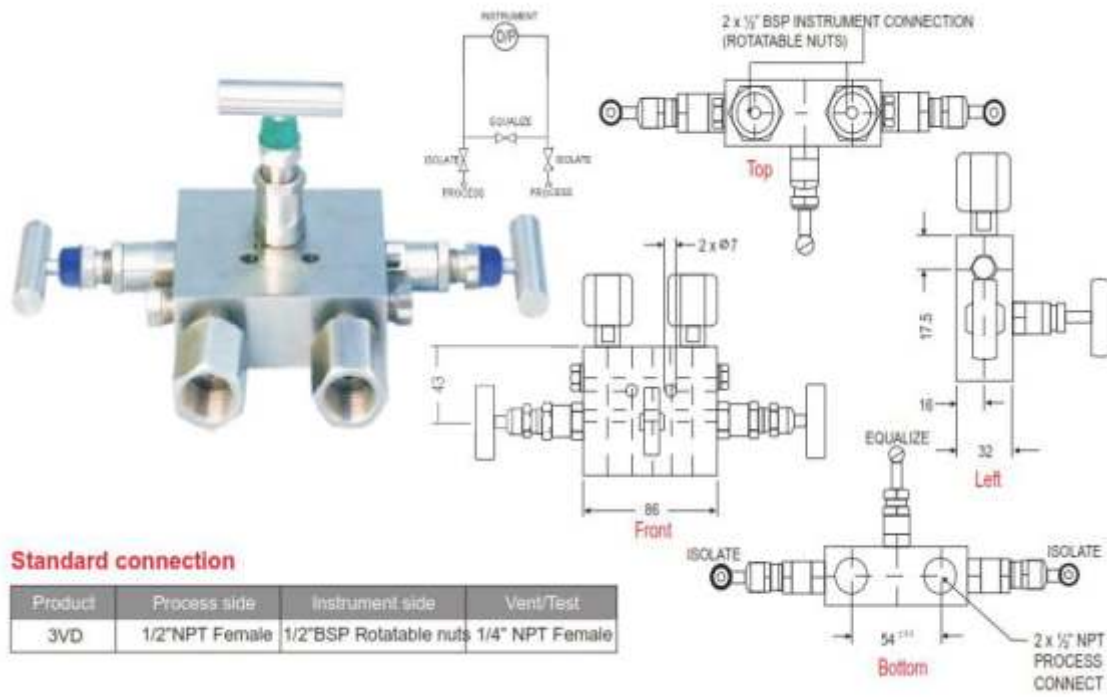
- The weld prepared types are available with female plain end - suitable for socket weld.
- Anti-tamper bonnet - special design on request with locking arrangement if desired.

CONTACT DETAILS

B-501/504, 5th floor, Raunak Arcade, Near THC Hospital, Gokhale Road, Naupada, Thane(w) 400602. Maharashtra INDIA
 ● Telefax Nos.: 91-22-25301330 / 31 / 32 ● Skype: nitinkelkarskype ● Gtalk: nkinstruments2006

Model : 3VD

Three valve manifold or differential pressure gauges. Two horizontal inlets NPT female at bottom side. Two outlets with rotating for nuts on top side and vent/test connection on top. Equalizing bonnet at front, isolating bonnets at left and right hand side. Also available in 54mm tap spacing model - 3VD54.



Standard version specifications of model 3VS, 3VM, 3VMN

- Body : SS 316
- Stem : SS 316
- Valve assembly : SS 316
- 'T' bar handle : SS 304
- Maximum working pressure : 6000 psi [not available in model 3VMN]
- Maximum working temperature : 240°C
- Packing : PTFE(Grafoil to be used for temperature above 240Ctill 550C)
- Type of stem : Type CT; Stem with conical metal tip
- Drain port : 1/4" NPT [F]; provided with SS 316 plug [not available in model 3VMN]
- Chrome plating : Provided on stem tip

How to order : Valve Type - 3VS, 3VM, 3VMN, 3VD

Body Material	Stem Type	Stem Packing	Size = Inlet x Outlet	Connections	Threads
C = Carbon Steel	CT(std)	P = PTFE(std)	24 = 1/4" x 1/4"	FF = Female x Female(Std)	N = NPT to ANSI B1.20.1
S = SS 316(std)	DS	G = Grafoil	44 = 1/2" x 1/2" (std)	SW = Socket Weld	P = BSPPto BS2779
SL = SS 316L					B = BSPT to BS21
M = Monel 400					
H = Hastelloy C					



Options

GH	: Material test certificate
GO	: Hydrotest test certificate
MBC	: Mounting bolts [7/16" UNF] in carbon steel
MBS	: Mounting bolts [7/16" UNF] in SS
IE	: Circular plastic.
TF	: Sour gas service to NACE standard MR-01-75.
SG	: Oxygen service. (manifolds are supplied cleaned and degreased)
DS	: Valves with stem having soft conical and delrin tip rolled into the needle for gas service.
MB	: Mounting bracket

Example

To place an order simply refer to the codes in the table.

Valve Type:	Body Material+	Stem Type+	Stem Packing+	Size+	Connections +	Threads+	Options+
3VS:	C+	CT+	P+	44+	FF+	N	Final Order

NOTE

- The weld prepared types are available with female plain end - suitable for socket weld.
- Anti-tamper bonnet - special design on request with locking arrangement if desired.



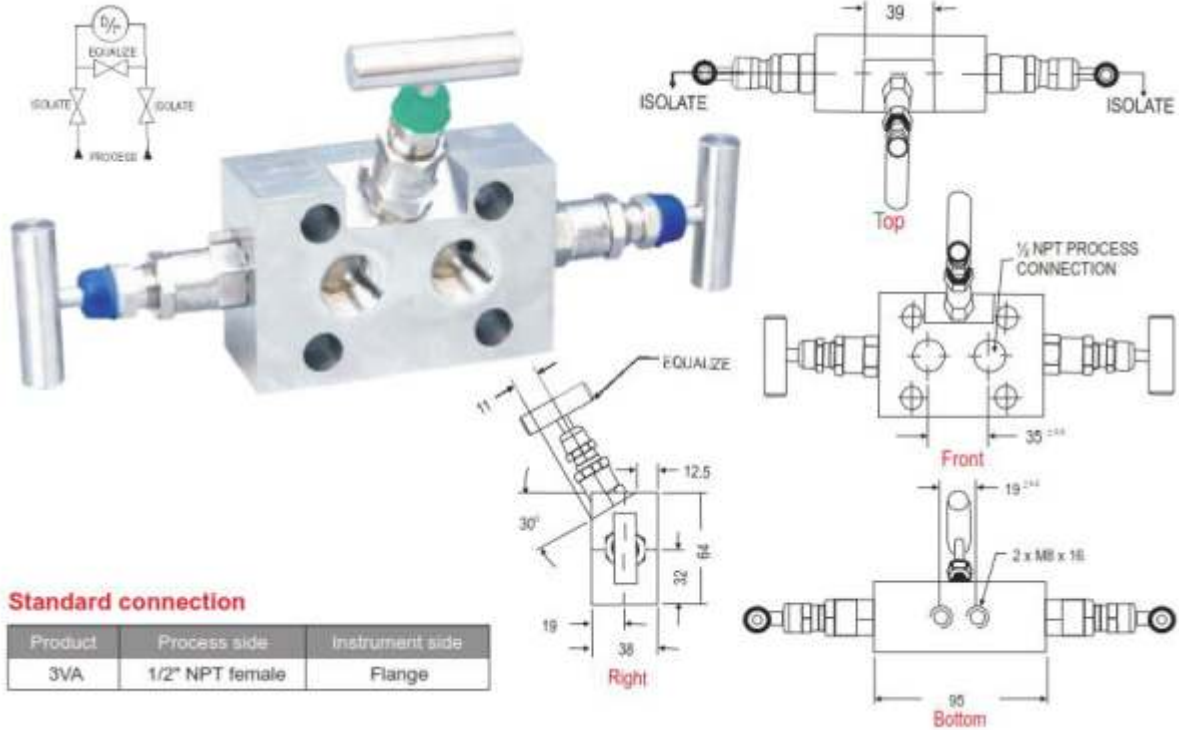
Process Control Instruments for Indication and Control of:

- PRESSURE
- VACCUM
- DP
- FLOW
- VELOCITY
- LEVEL
- TEMPERATURE
- CONDUCTIVITY
- pH
- VIBRATION

Model : 3VA

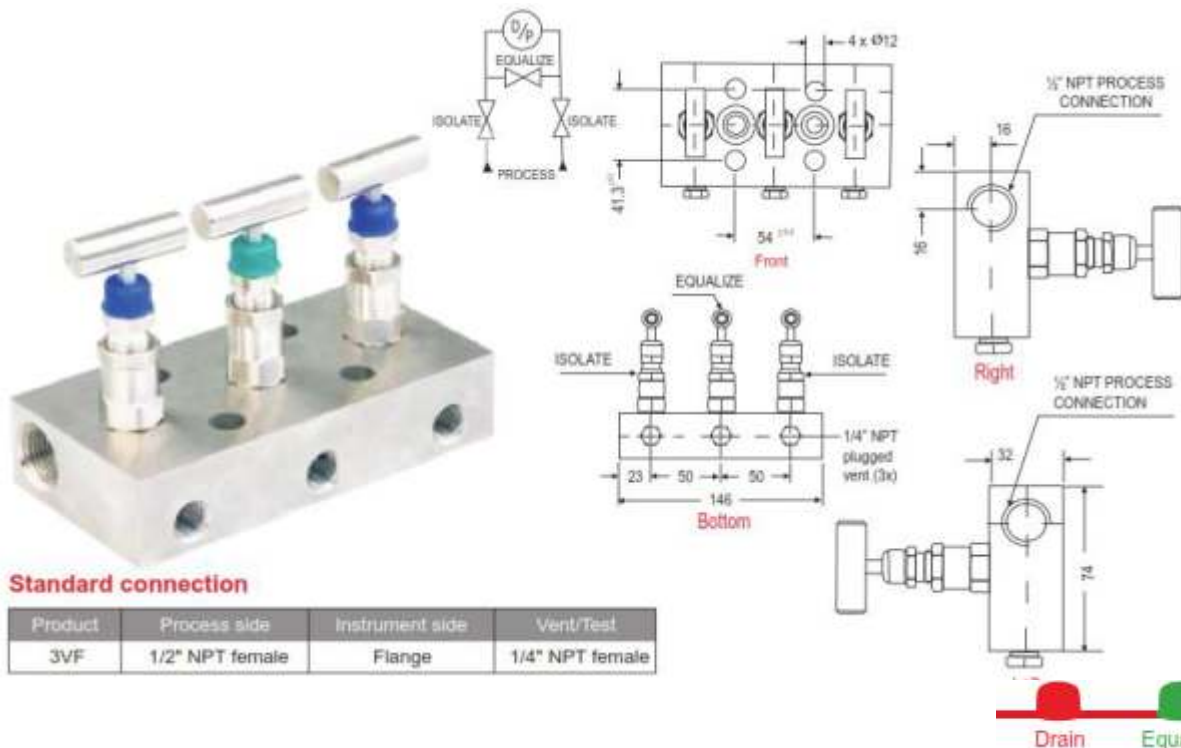
With two threaded horizontal port inlets on the front side and two Flange outlets on the back side. The two isolating bonnets are positioned on the left and right hand side, the equalizing bonnet is of angular design positioned on the top for easy operation

operation



Model : 3VF

With two threaded horizontal port inlets positioned on the left and right hand side and two Flange outlets on the back side. The two isolating bonnets and the equalizing bonnet are positioned on the front. Standard with three downstream test connections



CONTACT DETAILS

B-501/504, 5th floor, Raunak Arcade, Near THC Hospital, Gokhale Road, Naupada, Thane(w) 400602. Maharashtra INDIA
 ● Telefax Nos.: 91-22-25301330 / 31 / 32 ● Skype: nitinkelcarskye ● Gtalk: nkstruments2006

E-Mail: sales@nkstruments.com

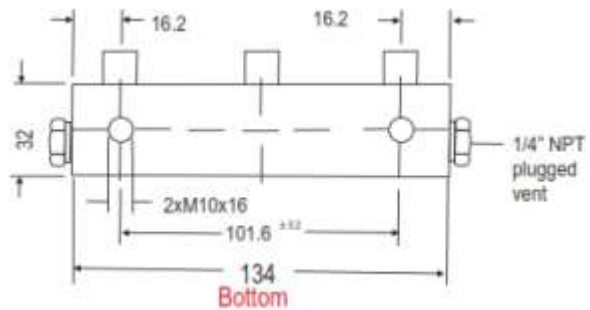
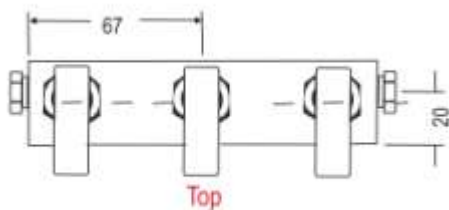
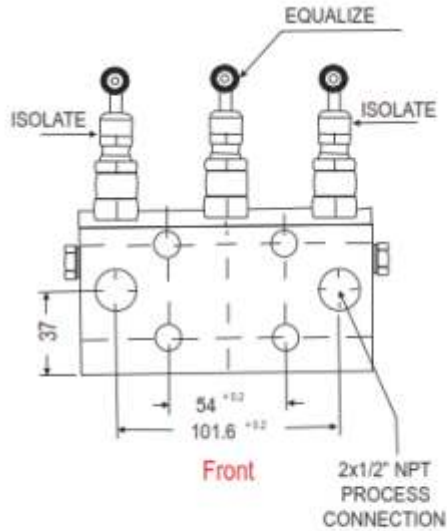
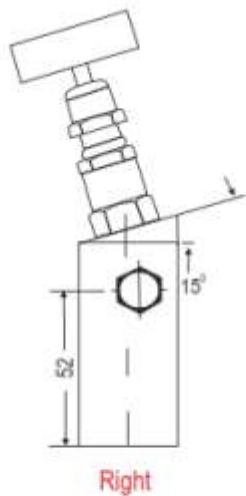
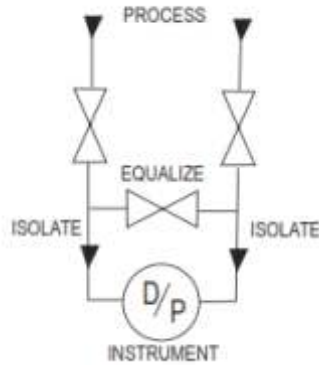
Web: www.nkstruments.com



PRESSURE	VACCUM	DP	FLOW	VELOCITY	LEVEL	TEMPERATURE	CONDUCTIVITY	pH	VIBRATION
----------	--------	----	------	----------	-------	-------------	--------------	----	-----------

Model : 3VP

With threaded horizontal port inlets positioned on the front and Flange outlets on the back side. The test connections are positioned on the left and right hand side. The isolating bonnets and the equalizing bonnet are positioned angular on the top of the body.



STANDARD CONNECTION :

Product	Process Side	Instrument Side	Vent / Test
3VP	1/2" NPT FEMALE	FLANGE	1/4" NPT FEMALE



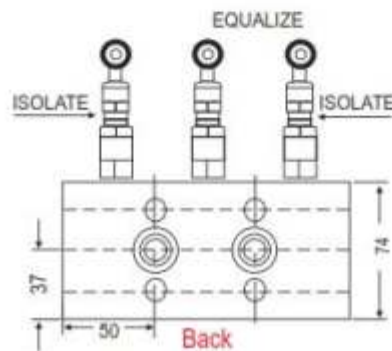
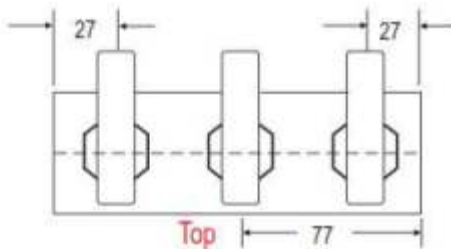
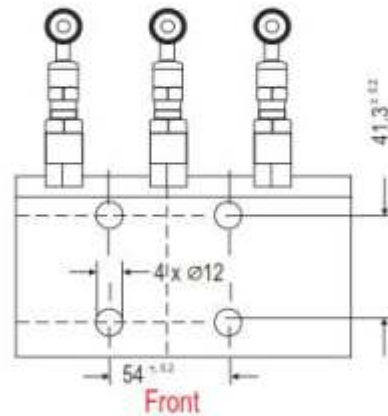
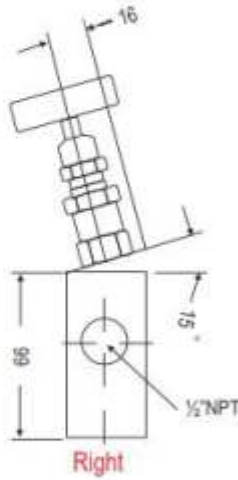
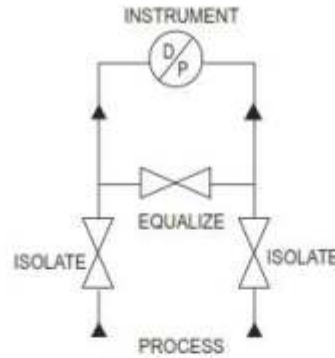
CONTACT DETAILS

B-501/504, 5th floor, Raunak Arcade, Near THC Hospital, Gokhale Road, Naupada, Thane(w) 400602. Maharashtra INDIA
 ● Telefax Nos.: 91-22-25301330 / 31 / 32 ● Skype: nitinkelkarskype ● Gtalk: nkstruments2006



Model : 3VO

With threaded horizontal port inlets on the left and right hand side and Flange outlets on the back side. The isolating bonnets and the equalizing bonnets are positioned angular on the top of the body



STANDARD CONNECTION :

Product	Process Side	Instrument Side
3VO	1/2" NPT FEMALE	FLANGE



CONTACT DETAILS

B-501/504, 5th floor, Raunak Arcade, Near THC Hospital, Gokhale Road, Naupada, Thane(w) 400602. Maharashtra INDIA
 ● Telefax Nos.: 91-22-25301330 / 31 / 32 ● Skype: nitinkelkarskye ● Gtalk: nkstruments2006



PRESSURE	VACCUM	DP	FLOW	VELOCITY	LEVEL	TEMPERATURE	CONDUCTIVITY	pH	VIBRATION
----------	--------	----	------	----------	-------	-------------	--------------	----	-----------

Standard version specifications of model 3VA,3VF,3VD, 3VP , 3VO

Body	: SS 316
Stem	: SS 316
Valve assembly	: SS 316
'T' bar handle	: SS 304
Maximum working pressure	: 6000 psi
Maximum working temperature:	240°C
Packing	: PTFE(Grafoil to be used for temperature above 240C till 550C)
Type of stem	: Type CT; Stem with conical metal tip
Drain port	: 1/4" NPT [F]; provided with SS 316 plug [not available in model 3VA]
Chrome plating	: Provided on stem tip.

How to order : Valve Type - 3VA, 3VF, 3VP, 3VO

Body Material	Stem Type	Stem Packing	Size = Inlet x Outlet	Connections	Threads
C = Carbon Steel	CT(std)	P = PTFE(std)	4F = 1/2"x Flange	FD = Female x Flange(54mm)	N = NPT to ANSI B1.20.1
S = SS 316(std)	DS	G = Grafoil	2F = 1/4"x Flange	FR = Female X Female	P = BSPPto BS2779
SL = SS 316L					B = BSPT to BS21
M = Monel 400				SW = Socket Weld	
H = Hastelloy C					

Options

GH	: Material test certificate
GO	: Hydro test certificate
MBC	: Mounting bolts [7/16" UNF] in carbon steel
MBS	: Mounting bolts [7/16" UNF] in SS
IE	: Circular plastic.
TF	: Sour gas service to NACE standard MR-01-75.
SG	: Oxygen service. (manifolds are supplied cleaned and degreased)
DS	: Valves with stem having soft conical and delrin tip rolled into the needle for gas service.
MB	: Mounting bracket

Example

To place an order simply refer to the codes in the table.

Valve Type:	Body Material+	Stem Type+	Stem Packing+	Size+	Connections +	Threads+	Options+
3VA :	S+	CT+	P+	4F+	FD+	N	Final Order

NOTE

- The weld prepared types are available with female plain end - suitable for socket weld.
- Anti-tamper bonnet - special design on request with locking arrangement if desired.

CONTACT DETAILS

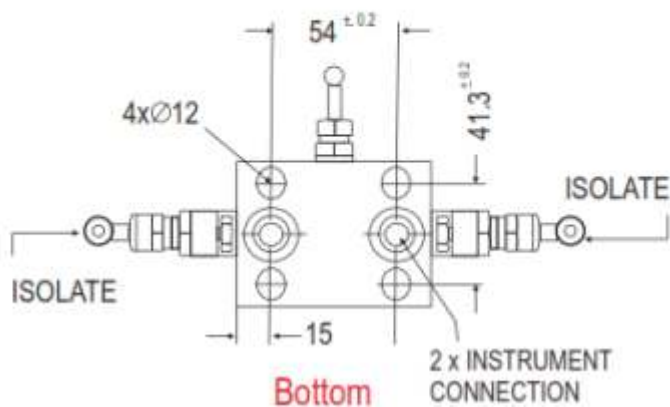
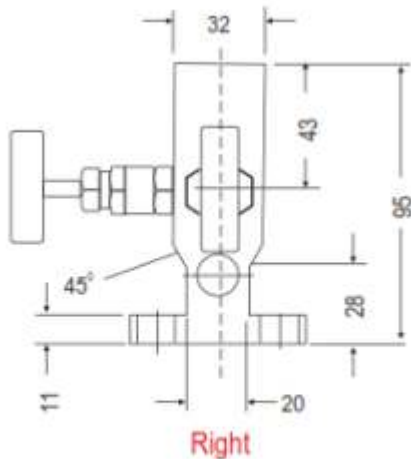
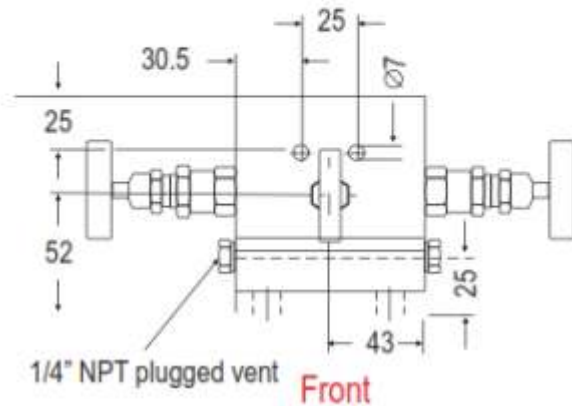
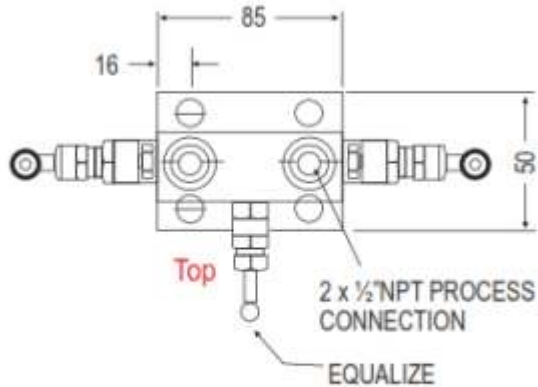
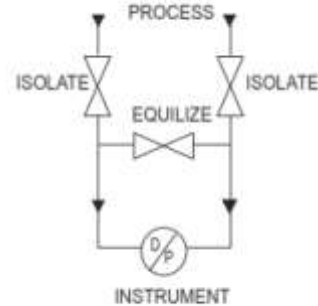
B-501/504, 5th floor, Raunak Arcade, Near THC Hospital, Gokhale Road, Naupada, Thane(w) 400602. Maharashtra INDIA
 ● Telefax Nos.: 91-22-25301330 / 31 / 32 ● Skype: nitinkelkarskype ● Gtalk: nkstruments2006



PRESSURE	VACCUM	DP	FLOW	VELOCITY	LEVEL	TEMPERATURE	CONDUCTIVITY	pH	VIBRATION
----------	--------	----	------	----------	-------	-------------	--------------	----	-----------

Model : 3VT

With threaded horizontal port inlets on the front side and Flange outlets on the back side. Two test connections positioned on the left and right hand side of the body. The isolating bonnets are positioned on the left and right hand side and the equalizing bonnet is positioned on the top



STANDARD CONNECTION

Product	Process side	Instrument side	Vent/Test
3VT	1/2" NPT female	Flange	1/4" NPT female



CONTACT DETAILS

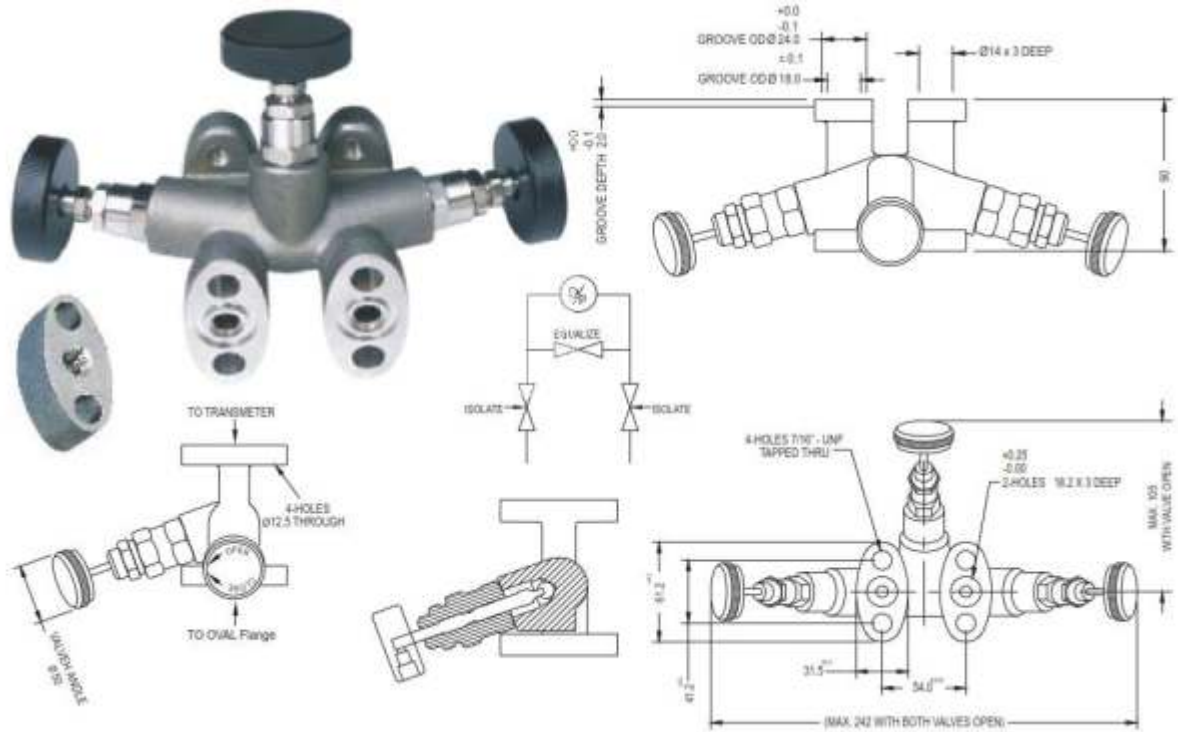
B-501/504, 5th floor, Raunak Arcade, Near THC Hospital, Gokhale Road, Naupada, Thane(w) 400602. Maharashtra INDIA
 ● Telefax Nos.: 91-22-25301330 / 31 / 32 ● Skype: nitinkelkarskype ● Gtalk: nkstruments2006



PRESSURE	VACCUM	DP	FLOW	VELOCITY	LEVEL	TEMPERATURE	CONDUCTIVITY	pH	VIBRATION
----------	--------	----	------	----------	-------	-------------	--------------	----	-----------

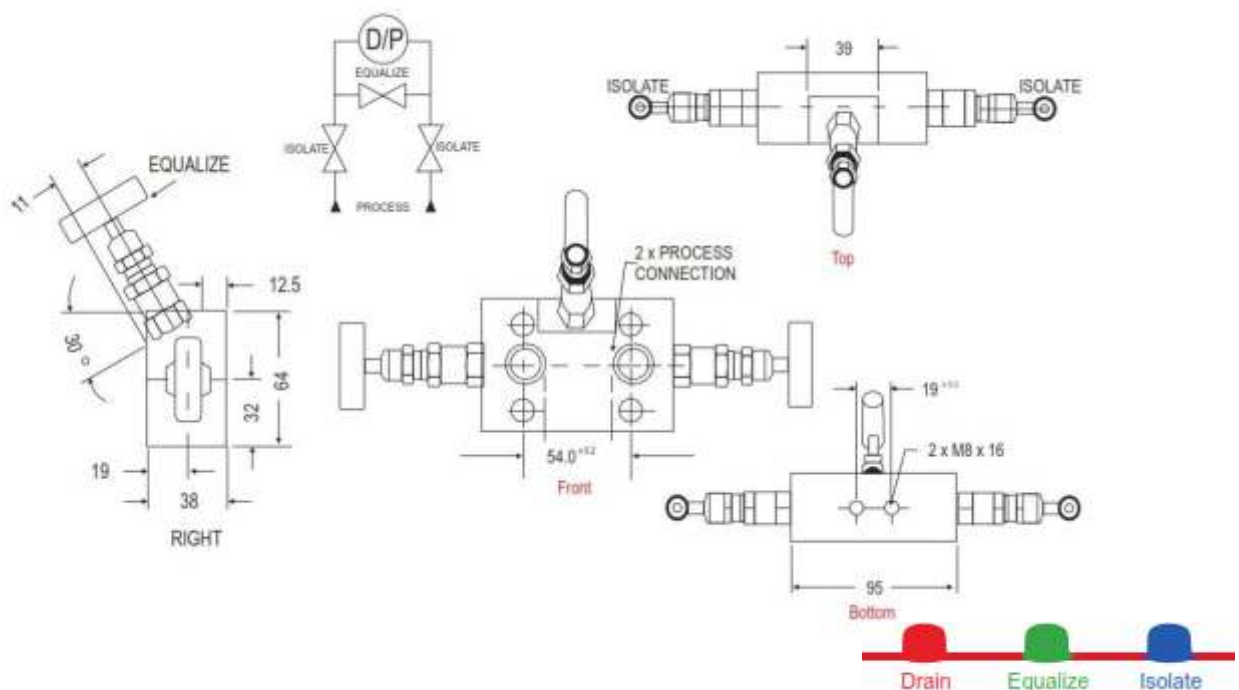
Model : 3VCN

.Special Three valve manifold with body made of casting. The standard model of SS 316 material withstands a pressure of 6000 psi and is used for isolation and equalizing. Connection : Special [oval Flange] Accessory provided : Kidney Flange for mounting.



Model : 3VB

Special design three valve manifold similar to our model 3VA except provided with two horizontal port process inlets Flange to fit DIN 19213 and two instrument Flange outlets on the back side. Isolating bonnets at the left and right side, equalizing bonnet angular on top. No vent/test connection and no venting bonnet.

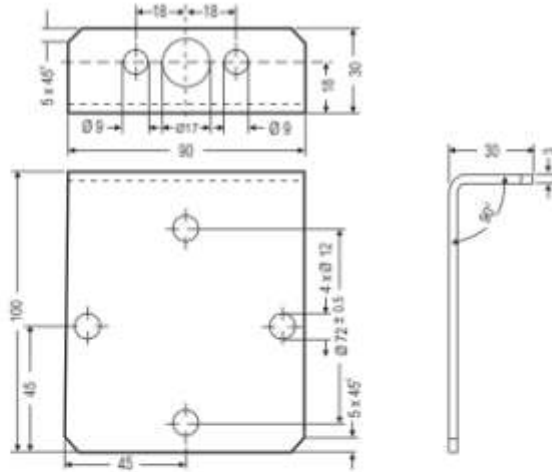


CONTACT DETAILS

B-501/504, 5th floor, Raunak Arcade, Near THC Hospital, Gokhale Road, Naupada, Thane(w) 400602. Maharashtra INDIA
 ● Telefax Nos.: 91-22-25301330 / 31 / 32 ● Skype: nitinkelarskyype ● Gtalk: nkinstruments2006

MOUNTING BRACKETS

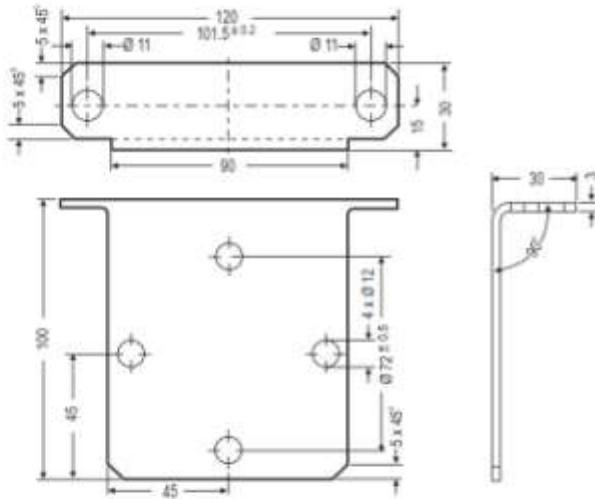
MB 1



Mounting bracket for :

2VF

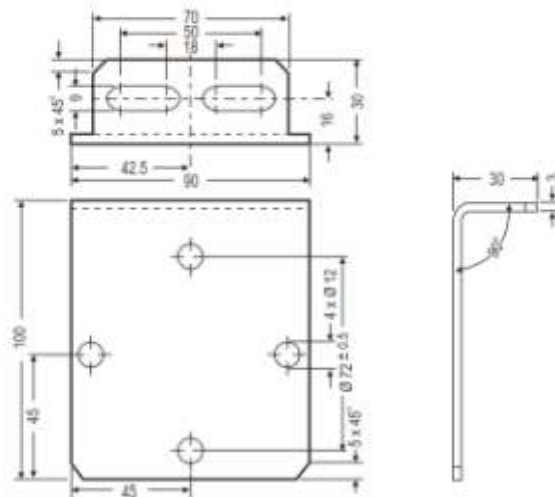
MB 2



Mounting bracket for :

**3VO
3VP
5VP
5VS**

MB 3



Mounting bracket for :

**SVH
SVV
2VA
2VH
3VA
3VB
3VD
3VH
3VT
5VA
5VG
5VH
5VN
5VT**

Mounting bracket set will be delivered with 2" U-bolt and nuts.

CONTACT DETAILS

B-501/504, 5th floor, Raunak Arcade, Near THC Hospital, Gokhale Road, Naupada, Thane(w) 400602. Maharashtra INDIA
 ● Telefax Nos.: 91-22-25301330 / 31 / 32 ● Skype: nitinkelkarskype ● Gtalk: nkstruments2006

E-Mail: sales@nkstruments.com

Web: www.nkstruments.com