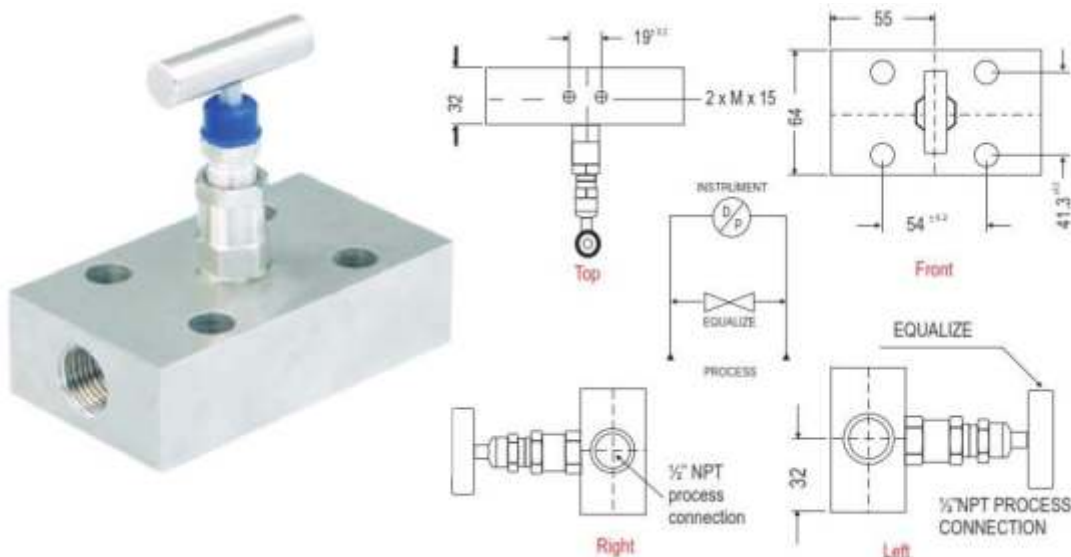


SINGLE VALVE MANIFOLD – Model: SVH

With threaded horizontal port inlet and outlet and Flange instrument connection with 54 mm center bolting. The equalizing bonnet is positioned on the front side.

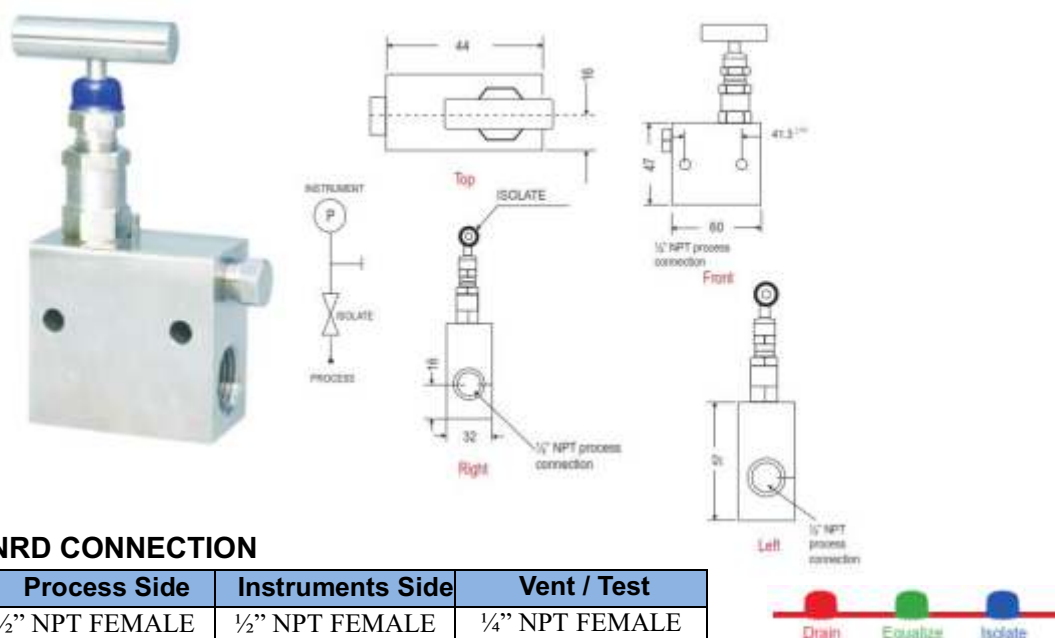


STANDANRD CONNECTION :

| Product | Process Side | Instruments Side |
|---------|-----------------|------------------|
| SVH | 1/2" NPT FEMALE | FLANGE |

SINGLE VALVE MANIFOLD – Model : SVV

With threaded horizontal port inlet, outlet and vent/test connection located at the right hand side. The venting bonnet is positioned on the top.



STANDANRD CONNECTION

| Product | Process Side | Instruments Side | Vent / Test |
|---------|-----------------|------------------|-----------------|
| SVV | 1/2" NPT FEMALE | 1/2" NPT FEMALE | 1/4" NPT FEMALE |

CONTACT DETAILS

B-501/504, 5th floor, Raunak Arcade, Near THC Hospital, Gokhale Road, Naupada, Thane(w) 400602. Maharashtra INDIA
 ● Telefax Nos.: 91-22-25301330 / 31 / 32 ● Skype: nitinkelcarskye ● Gtalk: nkstruments2006



| | | | | | | | | | |
|----------|--------|----|------|----------|-------|-------------|--------------|----|-----------|
| PRESSURE | VACCUM | DP | FLOW | VELOCITY | LEVEL | TEMPERATURE | CONDUCTIVITY | pH | VIBRATION |
|----------|--------|----|------|----------|-------|-------------|--------------|----|-----------|

Standard version specifications of model SVH, SVV

| | |
|-----------------------------|--|
| Body | : SS 316 |
| Stem | : SS 316 |
| Valve Assembly | : SS 316 |
| 'T' bar handle | : SS 304 |
| Maximum working pressure | : 6000 psi |
| Maximum working temperature | : 240°C |
| Packing | : PTFE (Grafoil to be used for temperature above 24°C till 55 °C) |
| Type of stem | : Type CT; Stem with conical metal tip |
| Drain port | : 1/4" NPT [F]; provided with SS 316 plug [not available in model SVV] |
| Bracket mounting holes | : 2 Nos. of 7 mm diameter [not available in model SVH] |
| Chrome plating | : Provided on stem tip |

How to order : Valve Type SVH, SVV

| Body Material | Stem Type | Stem Packing | Size = Inlet x Outlet | Connections | Threads |
|------------------|-----------|---------------|------------------------|---------------------------|-------------------------|
| C = Carbon Steel | CT(std) | P = PTFE(std) | 24 = 1/4" x 1/4" | FF = Female x Female(Std) | N = NPT to ANSI B1.20.1 |
| S = SS 316(std) | DS | G = Grafoil | 33 = 3/8" x 3/8" | SW = Socket Weld | P = BSPP to BS2779 |
| SL = SS 316L | | | 44 = 1/2" x 1/2" (std) | FD = Female x Flange | B = BSPT to BS21 |
| M = Monel 400 | | | 2F = 1/4" x Flange | (54mm) | |
| H = Hastelloy C | | | 3F = 3/8" x Flange | | |
| | | | 4F = 1/2" x Flange | | |

Options

| | |
|-----|--|
| GH | : Material test certificate |
| GO | : Hydrotest test certificate |
| MBC | : Mounting bolts (7/6" UNF) IN carbon steel |
| MBS | : Mounting bolts (7/6" UNF) In SS |
| IE | : Circular plastic |
| TF | : Sour gas service to NACE standard MR-01-75 |
| SG | : Qxygen service. (Manifolds are supplied cleaned & degreased) |
| DS | : Valves with stem having soft conical & delring tip rolled into the needle for gas service. |

Example

To place as order simply refer to the codes in the table

| | | | | | | | |
|--------------|-----------------|-------------|----------------|--------|---------------|-----------|---------|
| Valve Type + | Body Material + | Stem Type + | Stem Packing + | Size + | Connections + | Threads + | Options |
| SVH + | S + | CT + | P + | 44 + | FF + | N + | = FINAL |

NOTE :

- The weld prepared types are available with female plain end – suitable for socket weld
- Anti-tamped bonnet – special design on request with locking arrangement if desired.

CONTACT DETAILS

B-501/504, 5th floor, Raunak Arcade, Near THC Hospital, Gokhale Road, Naupada, Thane(w) 400602. Maharashtra INDIA
 ● Telefax Nos.: 91-22-25301330 / 31 / 32 ● Skype: nitinkelkarskype ● Gtalk: nkinstruments2006



PRESSURE

VACCUM

DP

FLOW

VELOCITY

LEVEL

TEMPERATURE

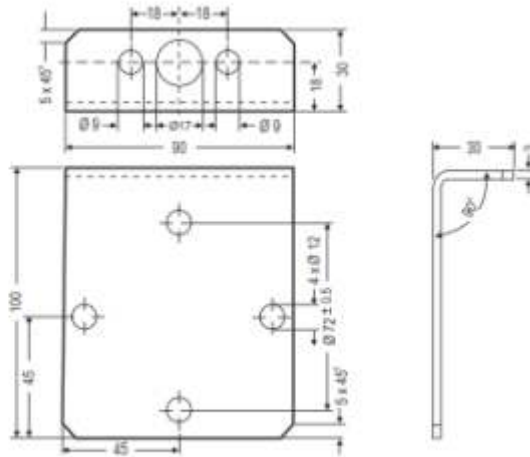
CONDUCTIVITY

pH

VIBRATION

MOUNTING BRACKETS

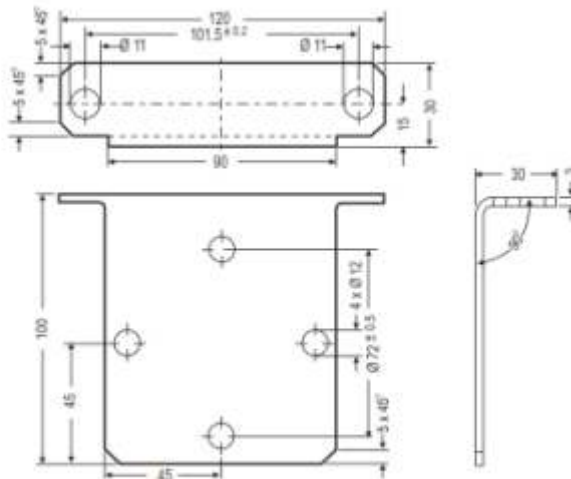
MB 1



Mounting bracket for :

2VF

MB 2



Mounting bracket for :

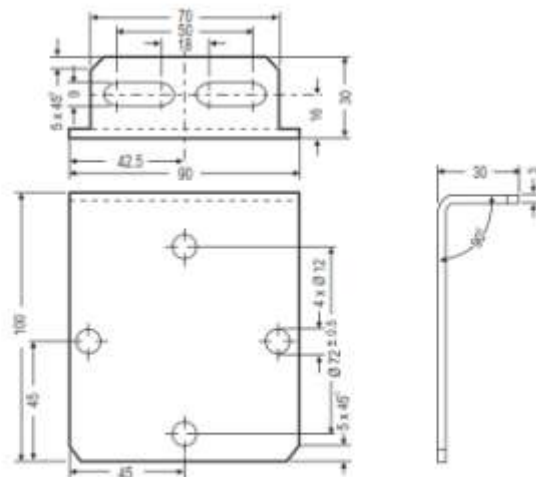
3VO

3VP

5VP

5VS

MB 3



Mounting bracket for :

SVH

SVV

2VA

2VH

3VA

3VB

3VD

3VH

3VT

5VA

5VG

5VH

5VN

5VT

Mounting bracket set will be delivered with 2" U-bolt and nuts.

CONTACT DETAILS

B-501/504, 5th floor, Raunak Arcade, Near THC Hospital, Gokhale Road, Naupada, Thane(w) 400602. Maharashtra INDIA

● Telefax Nos.: 91-22-25301330 / 31 / 32

● Skype: nitinkelkarskye

● Gtalk: nkstruments2006

E-Mail: sales@nkstruments.com

Web: www.nkstruments.com