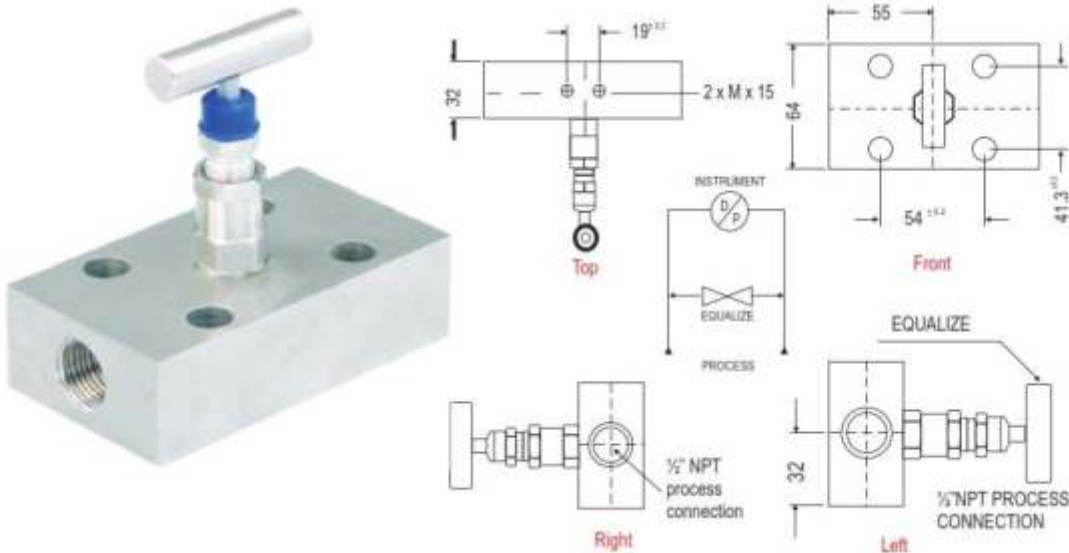


SINGLE VALVE MANIFOLD – Model: SVH

With threaded horizontal port inlet and outlet and Flange instrument connection with 54 mm center bolting. The equalizing bonnet is positioned on the front side.

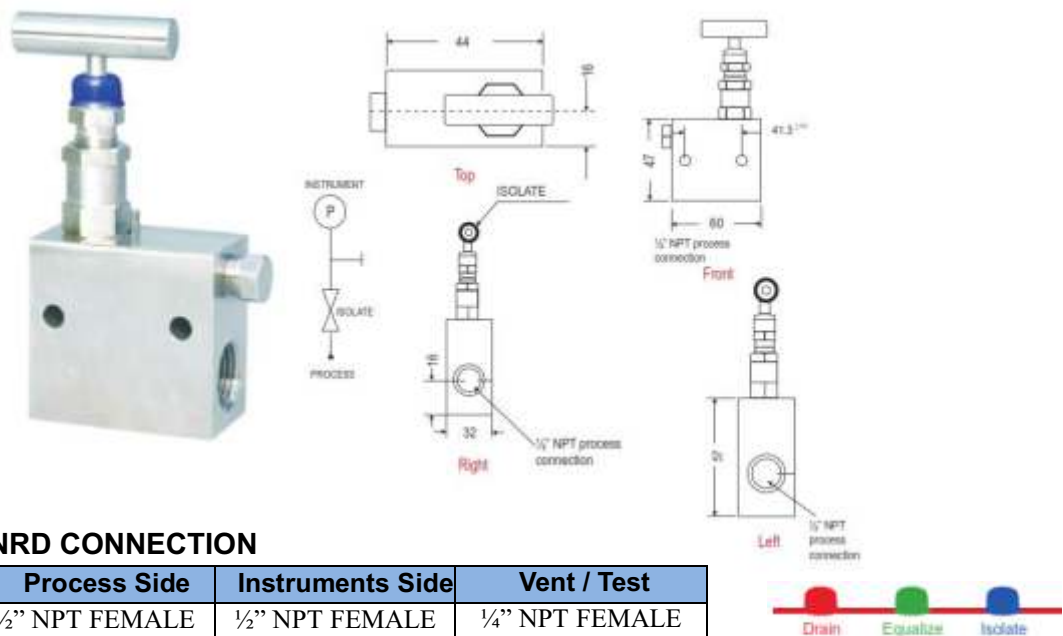


STANDANRD CONNECTION :

Product	Process Side	Instruments Side
SVH	1/2" NPT FEMALE	FLANGE

SINGLE VALVE MANIFOLD – Model : SVV

With threaded horizontal port inlet, outlet and vent/test connection located at the right hand side. The venting bonnet is positioned on the top.



STANDANRD CONNECTION

Product	Process Side	Instruments Side	Vent / Test
SVV	1/2" NPT FEMALE	1/2" NPT FEMALE	1/4" NPT FEMALE

CONTACT DETAILS

B-501/504, 5th floor, Raunak Arcade, Near THC Hospital, Gokhale Road, Naupada, Thane(w) 400602. Maharashtra INDIA
 ● Telefax Nos.: 91-22-25301330 / 31 / 32 ● Skype: nitinkelcarskype ● Gtalk: nkstruments2006



PRESSURE	VACCUM	DP	FLOW	VELOCITY	LEVEL	TEMPERATURE	CONDUCTIVITY	pH	VIBRATION
----------	--------	----	------	----------	-------	-------------	--------------	----	-----------

Standard version specifications of model SVH, SVV

Body	: SS 316
Stem	: SS 316
Valve Assembly	: SS 316
'T' bar handle	: SS 304
Maximum working pressure	: 6000 psi
Maximum working temperature	: 240°C
Packing	: PTFE (Grafoil to be used for temperature above 24°C till 55 °C)
Type of stem	: Type CT; Stem with conical metal tip
Drain port	: 1/4" NPT [F]; provided with SS 316 plug [not available in model SVV]
Bracket mounting holes	: 2 Nos. of 7 mm diameter [not available in model SVH]
Chrome plating	: Provided on stem tip

How to order : Valve Type SVH, SVV

Body Material	Stem Type	Stem Packing	Size = Inlet x Outlet	Connections	Threads
C = Carbon Steel	CT(std)	P = PTFE(std)	24 = 1/4" x 1/4"	FF = Female x Female(Std)	N = NPT to ANSI B1.20.1
S = SS 316(std)	DS	G = Grafoil	33 = 3/8" x 3/8"	SW = Socket Weld	P = BSPP to BS2779
SL = SS 316L			44 = 1/2" x 1/2" (std)	FD = Female x Flange	B = BSPT to BS21
M = Monel 400			2F = 1/4" x Flange	(54mm)	
H = Hastelloy C			3F = 3/8" x Flange		
			4F = 1/2" x Flange		

Options

GH	: Material test certificate
GO	: Hydrotest test certificate
MBC	: Mounting bolts (7/6" UNF) IN carbon steel
MBS	: Mounting bolts (7/6" UNF) In SS
IE	: Circular plastic
TF	: Sour gas service to NACE standard MR-01-75
SG	: Qxygen service. (Manifolds are supplied cleaned & degreased)
DS	: Valves with stem having soft conical & delring tip rolled into the needle for gas service.

Example

To place as order simply refer to the codes in the table

Valve Type +	Body Material +	Stem Type +	Stem Packing +	Size +	Connections +	Threads +	Options
SVH +	S +	CT +	P +	44 +	FF +	N +	= FINAL

NOTE :

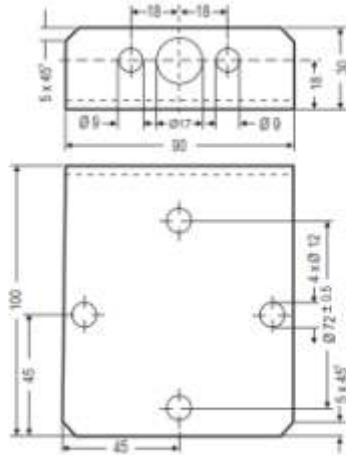
- The weld prepared types are available with female plain end – suitable for socket weld
- Anti-tamped bonnet – special design on request with locking arrangement if desired.

CONTACT DETAILS

B-501/504, 5th floor, Raunak Arcade, Near THC Hospital, Gokhale Road, Naupada, Thane(w) 400602. Maharashtra INDIA
 ● Telefax Nos.: 91-22-25301330 / 31 / 32 ● Skype: nitinkelkarskype ● Gtalk: nkinstruments2006

MOUNTING BRACKETS

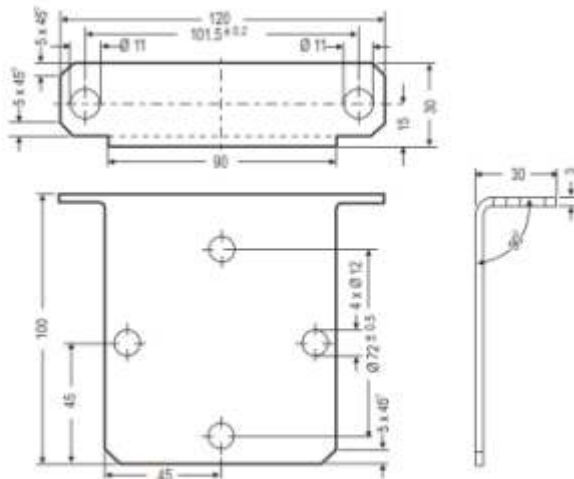
MB 1



Mounting bracket for :

2VF

MB 2



Mounting bracket for :

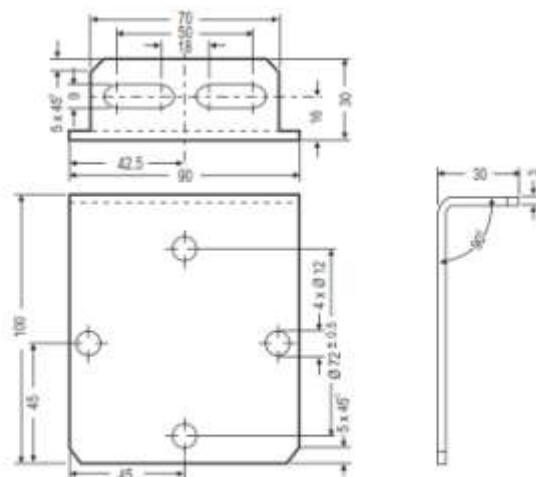
3VO

3VP

5VP

5VS

MB 3



Mounting bracket for :

SVH

SVV

2VA

2VH

3VA

3VB

3VD

3VH

3VT

5VA

5VG

5VH

5VN

5VT

Mounting bracket set will be delivered with 2" U-bolt and nuts.

CONTACT DETAILS

B-501/504, 5th floor, Raunak Arcade, Near THC Hospital, Gokhale Road, Naupada, Thane(w) 400602. Maharashtra INDIA

● Telefax Nos.: 91-22-25301330 / 31 / 32

● Skype: nitinkelkarskye

● Gtalk: nkstruments2006

E-Mail: sales@nkstruments.com

Web: www.nkstruments.com