



# Series 6610 : PC Compatible P. D. Flowmetering System

For Fuels/ Solvents / Water / Chemicals / Industrial Liquids

## Introduction

FuelLog is an innovative combinations of precision flow measurement technology with state of the art electronic serial communication transmitter and software utility compatible with all PCs. It provides real time data logging directly on the PC with the added benefit of automatic generation of daily and monthly usage reports making all display based flow meter technology completely obsolete. Networking of multiple Flowmeters with one single PC actually reduces installation cost compared to standard Flowmeters while providing unparalleled reliability, accuracy and ease of use.

## Features

- No manual logging
- Direct PC interface
- RS485 Serial Com up to 1KM distance
- One PC to 16 Flowmeters network
- PC software utility provided
- Day / Month / Year wise usage reports in Excel
- Local Display optional
- MODBUS RTU output optional

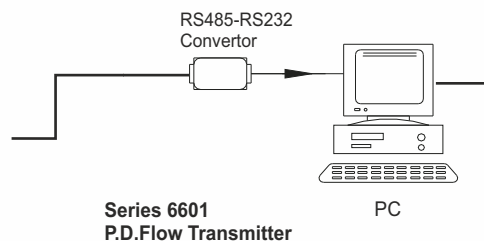
## Typical Industrial Applications

- Tanker Unloading
- Genset Fuel Consumption
- Boiler / Furnace Fuel consumption
- Vehicle / Forklift refueling
- Lube Oil / Solvent issues
- Test cell Fuel Consumption
- Assembly Line Fuel / Oil Dispensing
- Solvent / Chemical Transfer to reactors

## Size Vs Flowrange Table

Flowmeter Size NB	Operating Flow Range LPH
DN06	3-60
DN15	60-600
DN20	150-1500
DN25	240-2400
DN40	600-6000
DN50	1200-12000
DN80	2400-24000

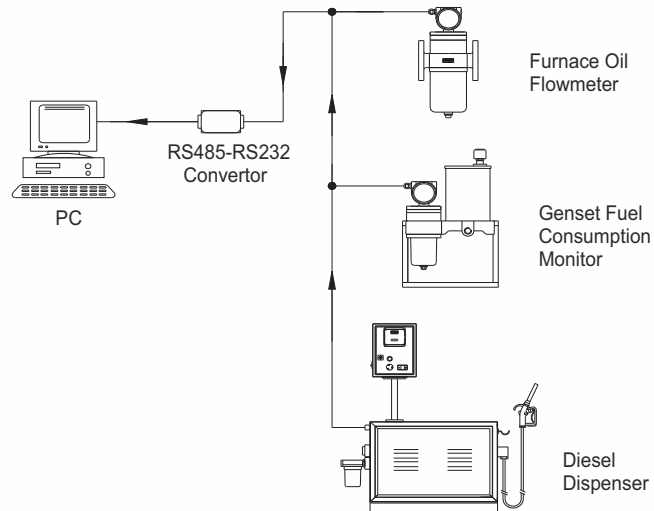
## Installation



## Specifications

Flowmeter Used	: Fluidyne Series 6600 P. D. Flowmeters
Measurement Range	: 3-24000LPH
Measurement Accuracy	: $\pm 0.5\%$ of reading
Liquid Compatibility	: Fuels/Lubes/Solvent/Water/Corrosive Chemical
Serial Data Transmission	: Hardware Protocol : RS485 Software Protocol : Proprietary
Software Utility	: 'FuelLog' in Visual C++ Disc Space Occupied : 1MB
Database	: MS Access
PC OS Compatibility	: Window 98 to Window XP
Max. No of Meter Network	: 16
Report Generated	: Daily / Monthly / Yearly Usage
Report Format	: EXCEL

## Typical Network



## Fuel Consumption Report

FuelLog			
Monthly Consumption Report			
MONTH	JULY	YEAR	2006
METER	4	SERVICE	DIESEL
LINE	TEST CELL 01	USER	R & D
Date	Consumption (Litres)	Closing (Litres)	
1/7/2006	150.3	150.3	
2/7/2006	251.4	401.7	
3/7/2006	25.6	427.3	
4/7/2006	110.7	538	
5/7/2006	32	570	
6/7/2006	24.7	594.7	
7/7/2006	85.6	680.5	
8/7/2006	92.3	772.8	
9/7/2006	28.5	801.3	
10/7/2006	62.3	863.6	
11/7/2006	124.7	988.3	
12/7/2006	55	1043.3	

Authorised Dealer



*NK Instruments Pvt. Ltd.*

B-501/504, 5th floor, Raunak Arcade, Near THC Hospital, Gokhale Road, Naupada, Thane(W) 400602. Maharashtra INDIA  
E-Mail: sales@nkstruments.com  
Skype: nitinkelkarskype

Telefax Nos.: 91-22-25301330 / 31 / 32  
Web: http://www.nkstruments.com  
Gtalk: nkstruments2006

