

Akron Make

FCG Make



EX-200 DPG, EX-200 DGR, EX-300 DGC, EX-400 DGC, DP Range : 0 to 20 mbar upto 10 bar
0 to 1 upto 150 psi

Specifications

Accuracy	±2% of the FSD (Ascending)
Migration	As per the model selected
Range	As per the model selected
First marking on the scale	15 or 20% of the FSD, depending on the model selected
Sensing element	As per the model selected
Wetted parts	As per the model selected
Case material	Stainless steel (SS 304)
Dial size in inch /mm	3.5", 4", 4.5", 6" / 80, 100, 115, 150 mm
Mounting	As per the explosion proof box drawings
Maximum working pressure	As per the model selected
Maximum process temperature	80°C / 175° F
Body material	Aluminum, Brass & SS 316
Seals	Buna-N, Viton, EPDM diaphragm & 'O' rings
Window	Float glass(Std.), toughened glass, acrylic & safety glass.
Connection	As per the model selected
Porting	Bottom (right side) & back
Over range protection	As per the model selected
Protection for gauge & switch	IP 65 / NEMA-4

Options

Switches(As per model selected)

Customer logo	1 or 2 SPSTs with a terminal strip
Dual scale	1 or 2 SPDTs with a terminal strip
Colour band	

COMBINATIONS

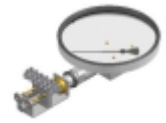
Gauge+switch
(with a terminal strip inside)



Switch



Gauge+switch
(without Ex-proof enclosure)



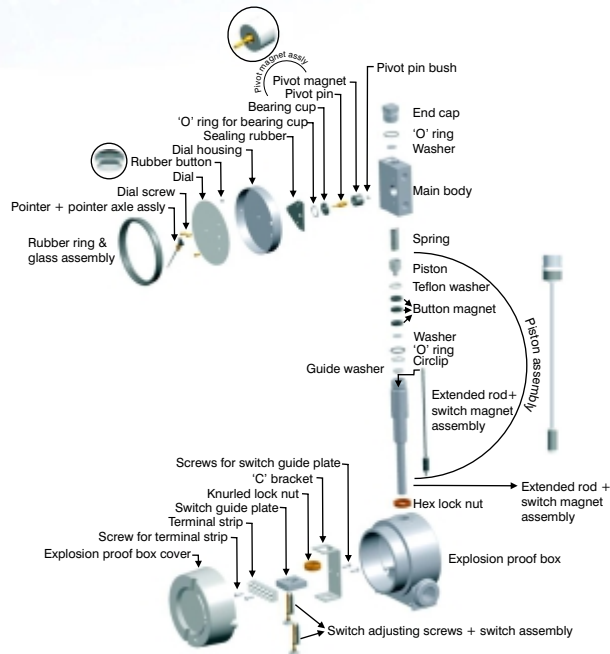
Switch*
(without Ex-proof enclosure)



* Locally available Explosion proof enclosure can be used.

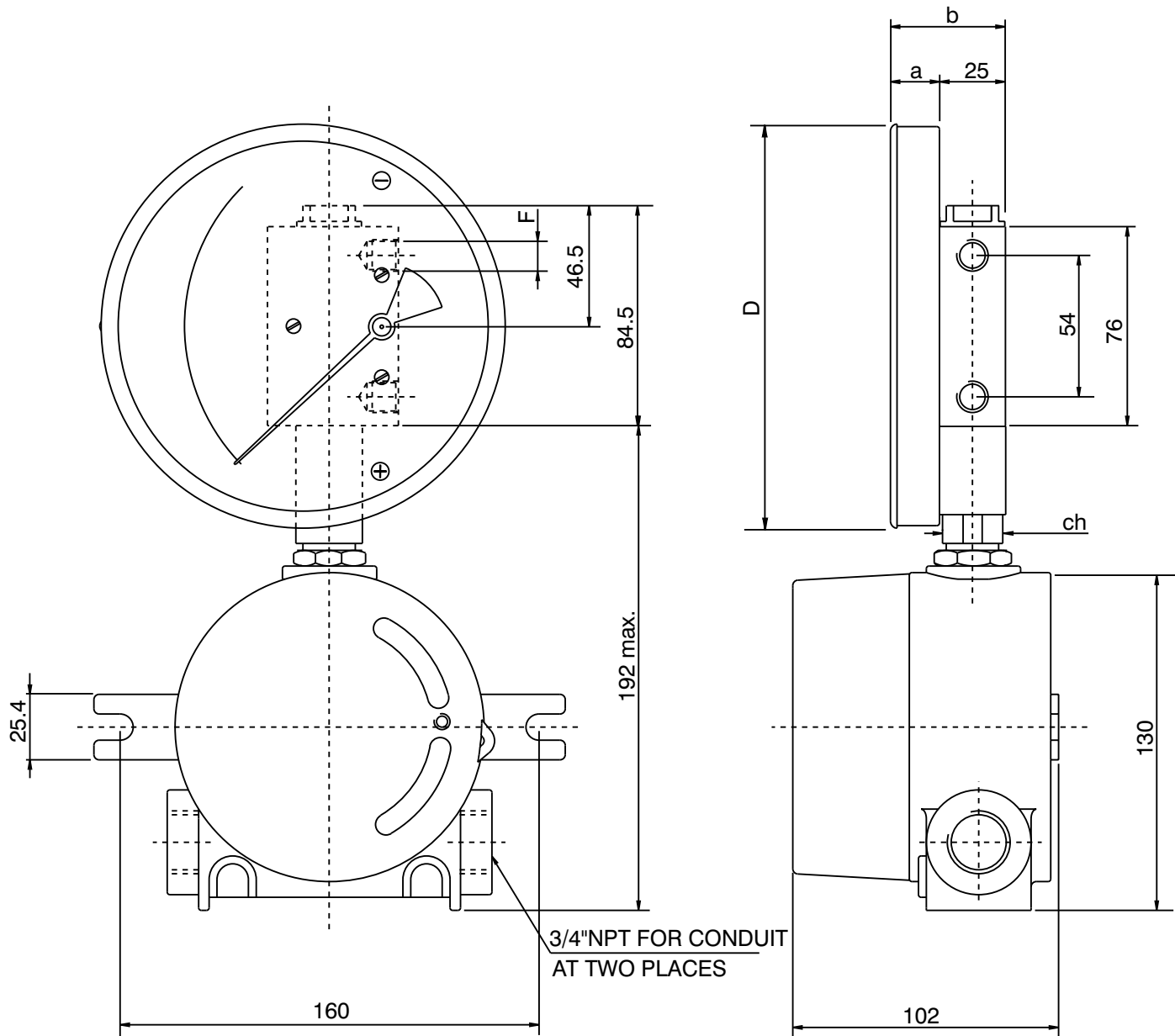
MOUNTING BRACKETS

Gauge+switch
(2" pipe mounting)



Ex-proof enclosure make	Certification	Electrical connection	Mounting
Akron Electric USA	UL, CSA, FM, CENELEC, KEMA / ATEX approved. Compliance to EN 50 014:1971+A1...A5 and EN 50 018: 1977+A1...A3. Ref: UL:E139669 / CSA:LR86146-5 KEMA: 03ATEX2460 U 0539 Ex II 2G EEx d II C	2 X 3/4" NPTF conduit ports on either side as shown	Two slots provided suitable for M6 / 1/4" UNC screw.
FCG India	Compliance to EN 50014: 1977 + A1:1999+A2:1999 and EN 50281-1-1:1998 + A1:2002 Ref: DNV-2006-OSL-ATEX-0075 / Ex II 2 GD EEx d IIC T6	3 X 3/4" ET conduit ports as shown.	Two elliptical holes provided suitable for M6 / 1/4"UNC screw.

STANDARD DIMENSIONS FOR EXPLOSION PROOF INSTRUMENT (MODEL EX 200 DPG)



DIAL Ø	F	a	b	d	ch
80 (3.5")	1/4" BSP - 1/4" NPT	19	44	83.0	22
100 (4.0")	1/4" BSP - 1/4" NPT	19	44	104.3	22
115 (4.5")	1/4" BSP - 1/4" NPT	19	44	119.7	22
150 (6.0")	1/4" BSP - 1/4" NPT	19	44	154.3	22

Authorised Dealer



NK Instruments Pvt. Ltd.

B-501/504, 5th floor, Raunak Arcade, Near THC Hospital, Gokhale Road, Naupada,
Thane(W) 400602. Maharashtra INDIA Telefax Nos.: 91-22-25301330 / 31 / 32
E-Mail: sales@nkinstruments.com Web: <http://www.nkinstruments.com>
Skype: nitinkelkarskype Gtalk: nkinstruments2006

