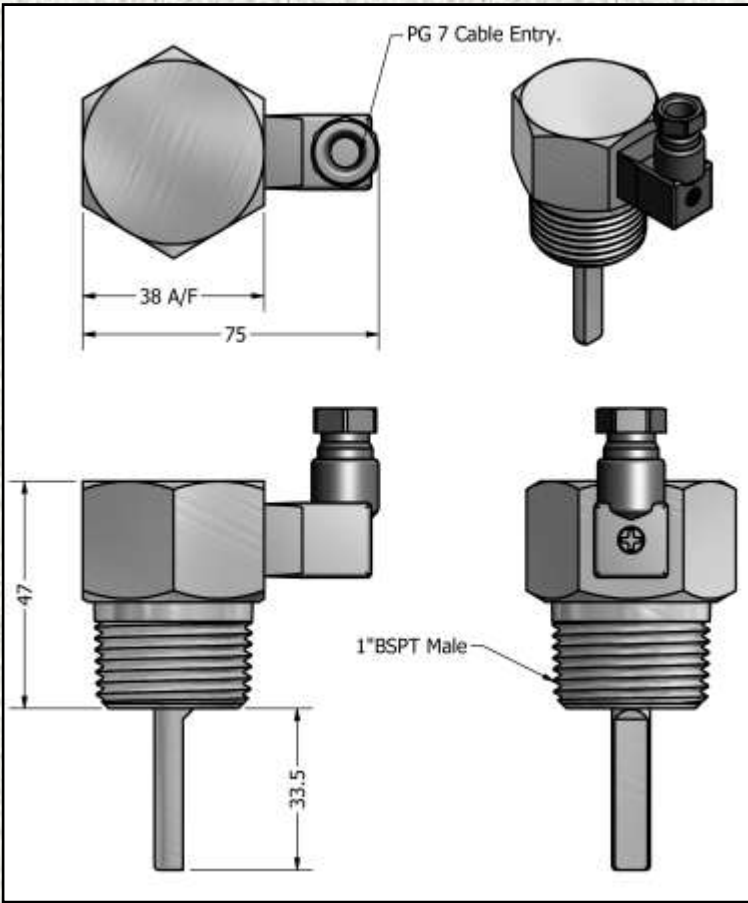


PADDLE TYPE FLOW SWITCH MFS SERIES



TECHNICAL SPECIFICATION:

DESCRIPTION	MFS series PADDLE type FLOW SWITCH
Electrical Housing Material	Robust SS304 solid block construction.
Electrical Connection	DIN 43650C Micro Connector
Gland Size	PG 7
Type of Enclosure	IP 65 grade (Waterproof)
Material of Paddle	SS 304
Material of contact parts	SS304 which is immune to Hard water
Joint of Paddle retainer to Element	magnetically actuated
Joint of Paddle with Paddle retainer	2 nos. SS screws with spring washer
Isolation of water from Electrical Element	2 mm solid wall which is suitable for pressure up to 30 bar
Switch type	Hermetically Sealed REED switch which is completely waterproof. It is most sensitive and has very good repeatability. Response time of such switch is just a few milliseconds.
Electrical rating	1A, 110VAC / DC. SPDT which is perfectly suitable for annunciation purpose
Set Point	For application in Fire Fighting as well as in almost all applications, the expected set point is lowest set value. So, set point is Fixed at lowest point at factory and it can't be changed even by mistake, which is very safe.
Life	Compact and very study design, so it is likely to serve at least for 5 years without any complaint.

Authorised Dealer



NK Instruments Pvt. Ltd.

B-501/504, 5th floor, Raunak Arcade, Near THC Hospital, Gokhale Road, Naupada,
Thane(W) 400602, Maharashtra INDIA Telefax Nos.: 91-22-25301330 / 31 / 32
E-Mail: sales@nkstruments.com Web: <http://www.nkstruments.com>
Skype: nitinkelkarskype Gtalk: nkstruments2006

