



Series 6740 : Oil Dispensing Machines

For The Shock Absorber Manufacturing Industry.

Specifications

Dispensing Flow rate	2000 ml/min. / 4000 ml/min
Quantity Setting Range	5 - 500 ml
Least Count	1.0 ml / 2.0 ml
Accuracy	± 1.0 ml / ± 2.0 ml per batch
Cp/Cpk	> 1.66
Oil Storage Tank	Built in, 100 Litre capacity
Filtration	25 micron built in
Preprogrammed Batches	Up to 100 possible
Display Parameters	*Set quantity with model identity *Delivered quantity with auto zero *Number of tubes filled *Total liters of oil filled
Floor Space Required	600 mm X 600 mm
Power Supply	3 Phase 415V AC, +/-10%, 50 Hz
Pneumatic Supply	4 Kg/cm with Instrument air
Disgnostic Alarms	*Hi / Lo Oil pressure *Lo Oil level *Lo Air pressure *No Oil filled in tube

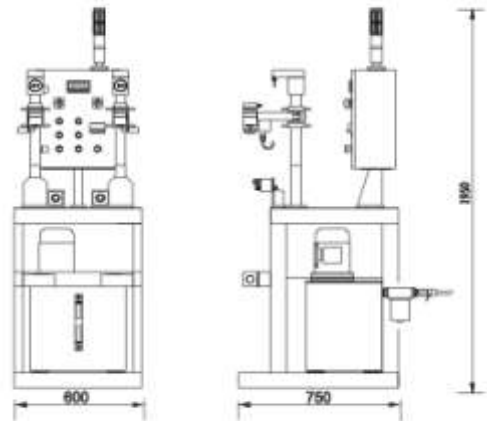


Introduction

Oil filling in shock absorber tubes and front fork typically requires a filling accuracy of +/- 1.0 ml for precise control of the shock performance. Fluidyne Oil Dispensing System apart from providing a long term guaranteed accuracy of +/- 1.0 ml also provide a Process Capability Cp/Cpk ≥ 1.66 , a concept introduced for the first time in the industry. The system provides a very high rate of production coupled with split second flexibility of changing the set quantity which is a big advantage over conventional filling techniques. The substantial degree of automation used provides a man less oil filling station on the assembly line.

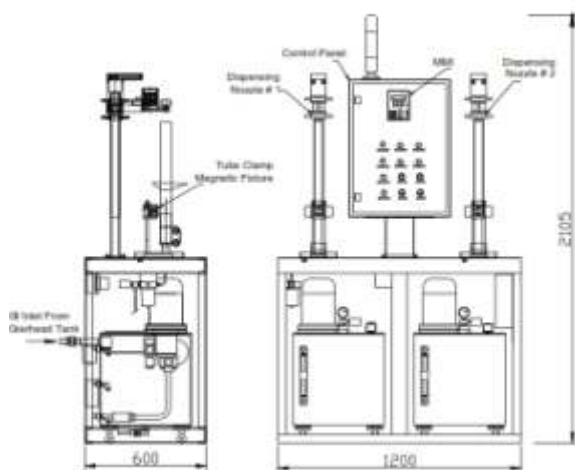
Dimensions

Front Fork Filling Machine



Shock Tube Filling Machine

Shock Tube Filling Machine



Features

- 5.0 - 250 ml batch filling ideally suits shock and fork filling.
- Filling accuracy +/- 1.0 ml for any batch size with Cp/Cpk > 1.66.
- Filling rate of 2000 ml / minute guarantees a high production rate
- Quickly adjustable filling nozzle height to suit tube and fork length
- Zero drip dispensing nozzle for clean shop floor environment
- PLC control with MMI allows finger-tip batch selection and settings
- Built in 25 micron oil filtration before filling
- Dual fork assembly filling option for improved productivity.
- 4000 ml / min filling rate optional for +/- 2ml resolution.

Continuous efforts for product development may necessitate changes in these details without notice



NK Instruments Pvt. Ltd.

B-501/504, 5th floor, Raunak Arcade, Near THC Hospital, Gokhale Road, Naupada, Thane(W) 400602. Maharashtra INDIA
E-Mail: sales@nkstruments.com
Skype: nitinkelkarskype

Telefax Nos.: 91-22-25301330 / 31 / 32

Web: <http://www.nkstruments.com>

Gtalk: nkstruments2006

