



# Series 6720 : Mobile Diesel Dispenser

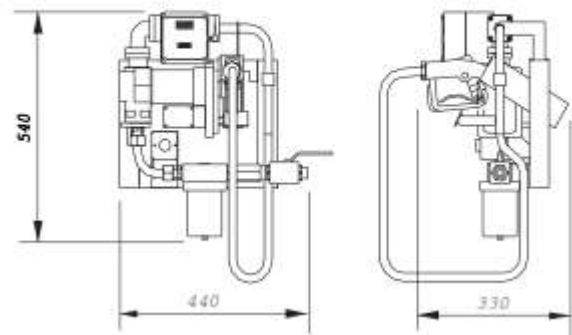
For Tankers / Bouzers / Refueling Vehicles



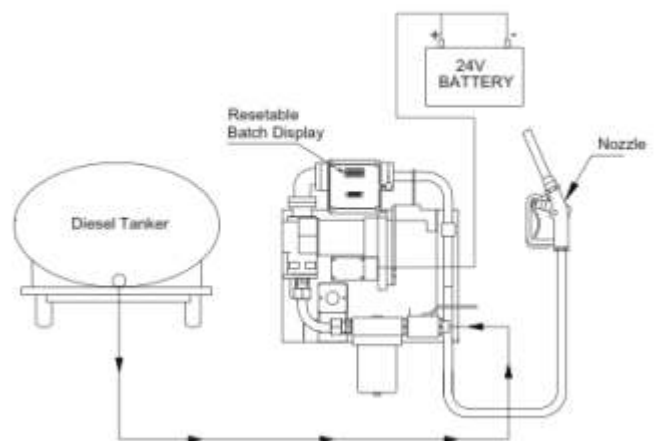
## Specifications

<b>Flow Capacity</b>	: 0 - 60 LPM
<b>Accuracy Supply</b>	: ± 0.5% of reading
<b>Voltage Batch</b>	: 24V DC from vehicle battery
<b>Display</b>	: 12 mm Height LCD 999.99 litres
<b>Cumulatative Display</b>	: 8 mm height LCD 99999999 litres
<b>Filter Mesh</b>	: 150 Micron SS Mesh Reusable Type
<b>Hose Nozzle</b>	: 1" R3 Grade Rubber, 5 Meter Long 3/4" Shut off Nozzle

## Dimensions



## Installation



## Introduction

Dispenser is a compact dispensing solution for diesel dispensing at construction and mining sites. 24V DC operation and a tamper-proof metering unit makes it a very attractive device for conserving precious diesel fuel and controlling pilferage on construction/mining sites.

## Features

- High capacity vane pump for diesel dispensing.
- High accuracy P. D. Flowmeter for measurement.
- Built- in reusable large capacity filter.
- 3/4" size Shut off nozzle for filling.
- Pad locking facility for nozzle.
- Resettable Batch and Cummulative Totaliser.
- Self Powered Display.
- 24V DC vehicle battery operation.
- Rugged construction to suit harsh environments.

Continuous efforts for product development may necessitate changes in these details without notice



*NK Instruments Pvt. Ltd.*

B-501/504, 5th floor, Raunak Arcade, Near THC Hospital, Gokhale Road, Naupada,  
Thane(W) 400602. Maharashtra INDIA      Telefax Nos.: 91-22-25301330 / 31 / 32  
E-Mail: sales@nkstruments.com      Web: <http://www.nkstruments.com>  
Skype: nitinkelkarskype      Gtalk: nkstruments2006

