



Series 6692 : Mobile Fuel Monitoring System

For Construction / Mining / Transportation Industry
 Installation on Excavators / Tipplers / Cranes / Hyva / Loaders / Dumpers
 Serial Communication Output to Vehicle Tracking/ECU/Automation Systems



Fuel Flow Sensor



Serial Data Transmitter

Measured Parameters

- Fuel Consumed in Liters
- Engine Working Hrs.

Choice of Fuel Flow Sensor

- **6640** For High Pressure Fuel Injected Engines of all makes
Capacity 15 - 180 HP
- **6650** For High Pressure Fuel Injected Engines all makes
Capacity 100 - 1500 HP
- **6622** For Cummins PT Fuel System based Engines
Capacity 50- 2000 HP



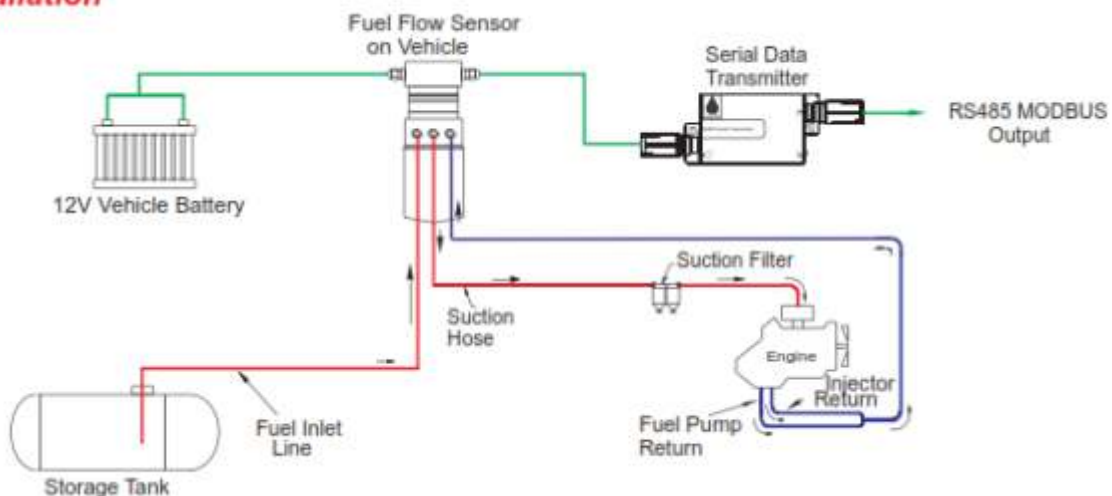
Introduction

The Series 6690 Fuel Monitoring System is a unique innovative product specially designed to provide accurate highly reliable information on complete fuel Consumption and run hrs. of diesel driven machinery. The system offers an excellent solution to monitor fuel misuse, pilferage, low utilization of machines and low operating efficiency of diesel driven machinery.

Features

- Accurately measures and logs net fuel consumed
- Measures and logs engine Run Hrs.
- Data transfer thro RS485 Serial MODBUS Communication Output.
- 12 V DC operation on engine cranking battery.
- Choice of fuel sensor to suit all types of Engines.
- Direct transmission of data from vehicle to on board Automation System.

Installation



Continuous efforts for product development may necessitate changes in these details without notice



NK Instruments Pvt. Ltd.

B-501/504, 5th floor, Raunak Arcade, Near THC Hospital, Gokhale Road, Naupada,
 Thane(W) 400602. Maharashtra INDIA
 E-Mail: sales@nkinstruments.com
 Skype: nitinkelarskype

Telefax Nos.: 91-22-25301330 / 31 / 32
 Web: <http://www.nkinstruments.com>
 Gtalk: nkinstruments2006

