

# Mini Turbine Flow Sensor (60 LPM)

## Technical Specifications

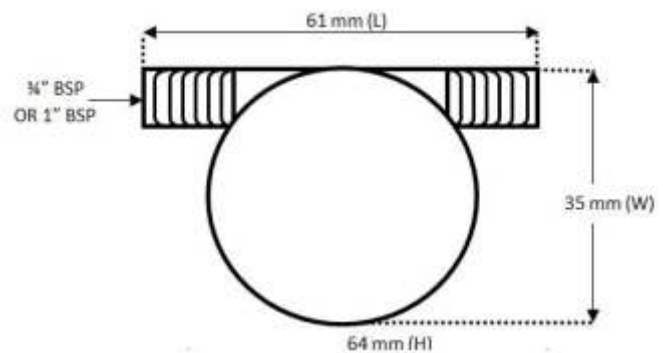
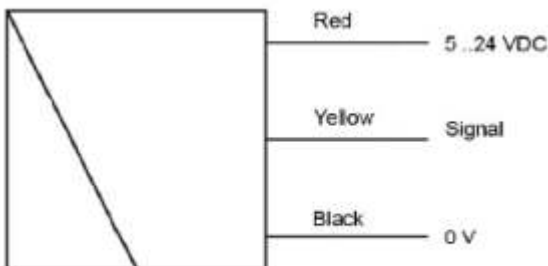
Flow Range	1 TO 60 liter / minute
Working Voltage	4.5 to 24 VDC
Max. Pressure	17.5 bar
Working Pressure	0 to 10bar
Max Rated Current	8 Ma
Withstand Current	15 mA
Working temp	Up to 120°C
Storage Temp	25 TO 65°C
Accuracy	2% fsd
Humidity	35% TO 90 %
Material	PA66 + 30GF
In let pipe size	12 mm
Out let pipe size	13 mm
Connection	¾" BSP
	1" BSP



## OUTPUT

- High electric level : less than 4.5 VDC (input voltage 5 VDC )
- Low electric level : Higher than 0.5 VDC ( Input Voltage 5 VDC )
- Pulse output protection : 50+ /10%
- Pulse Number: 270 pulses / liter (For ¾")  
: 390 pulses / liter (For 1")

## WIRING DIAGRAM



**Warning** This Meter has low Friction bearings.  
Do not at any time test operation of the meter with compressed air doing so will Subject it to rotational speeds many times those for which it was designed, and will certainly damage the rotor, shaft or bearings

Continuous efforts for product development may necessitate changes in these details without notice

Authorised Dealer



*NK Instruments Pvt. Ltd.*

B-501/504, 5th floor, Raunak Arcade, Near THC Hospital, Gokhale Road, Naupada,  
Thane(W) 400602. Maharashtra INDIA      Telefax Nos.: 91-22-25301330 / 31 / 32  
E-Mail: sales@nkstruments.com      Web: <http://www.nkstruments.com>  
Skype: nitinkelkarskype      Gtalk: nkstruments2006

