

Mini Turbine Flow Sensor (25 LPM)

Technical Specifications

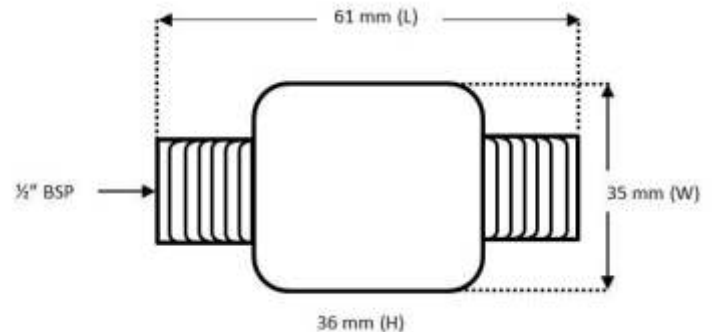
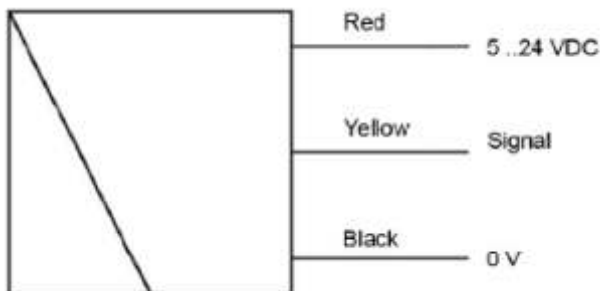
| | |
|-------------------|--------------------------|
| Flow Range | 0.5 TO 25 liter / minute |
| Working Voltage | 4.5 to 24 VDC |
| Max. Pressure | 17.5 bar |
| Working Pressure | 0 to 10bar |
| Max Rated Current | 8 mA |
| Withstand Current | 15 mA |
| Working temp | Up to 120 °C |
| Storage Temp | 25 TO 65 °C |
| Accuracy | 1% fsd |
| Humidity | 35% TO 90 % |
| Material | PA66 + 30GF |
| In let pipe size | 6mm |
| Out let pipe size | 8 mm |
| Connection | ½" BSP |



OUTPUT

- High electric level : less than 4.5 VDC (input voltage 5 VDC)
- Low electric level : Higher than 0.5 VDC
(Input Voltage 5 VDC)
- Pulse output protection : 50+ /10%
- Pulse Number : 450 pulses / liter

WIRING DETAILS



Do not at any time test operation of the meter with compressed air Donning so will Subject it to rotational speeds many times those for which it was designed and will certainly damage the rotor shaft or bearings

Continuous efforts for product development may necessitate changes in these details without notice

Authorised Dealer



NK Instruments Pvt. Ltd.

B-501/504, 5th floor, Raunak Arcade, Near THC Hospital, Gokhale Road, Naupada,
Thane(W) 400602. Maharashtra INDIA Telefax Nos.: 91-22-25301330 / 31 / 32
E-Mail: sales@nkinstruments.com Web: <http://www.nkinstruments.com>
Skype: nitinkelkarskype Gtalk: nkinstruments2006

