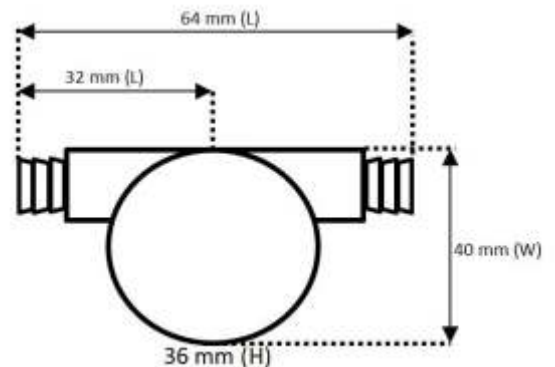
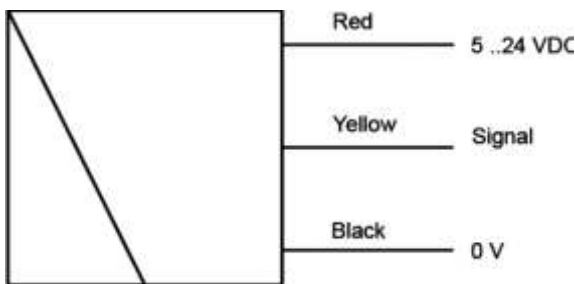


Mini Turbine Flow Sensor (2.5 LPM)

Technicabetails:	
Working Voltage	: DC4. 5 V—DC24V
Max Pressure	: <17.5 bar
Working Pressure	: 0 ~ 10.0 bar
Max Rated Current	: 8mA
Withstand Current	: 15mA
Working Temperature	: Below 10°C ~ 120°C
Storage Temperature	: Below zero 25 ~ 65°C
Flow Range	: 0.15– 2.5 L/Min
Accuracy	: +-0.5%
Pulse Output High Electrical Level	: >DC 4.5 V (Input voltage DC 5 V)
Pulse Output Low Electrical Level	: >DC 0.5 V (Input voltage DC 5 V)
Pulse Output Proportion	: 50 +- 10%
Intel Pipe Size	: 2mm
Output Pipe Size	: 4mm
Pulse Number	: 3900 pulses /liter
Humidity	: 35%-- 90%
Material	: POM



Warning : This meter has low-Friction bearings.

Do not at any time test operation of the meter with compressed Air Donning so will Subject it to rotational speeds many times those for which it was designed and will certainly damage the rotor shaft or bearings

Application :

1. Coffee vending Machine Water Dispenser beverage vending machines, digital vending machine such as beverage vending machine, automatic vending machine, coffee vending machine, tea vending machine, hot vending machine, cold vending machine, soup vending machine & water dispenser.
2. Drink fountains, water purifier, water circuit as well as Ultra-low-flow control system.
3. Wash hand, clean body, bathroom, shower, Water saving and so on.

Continuous efforts for product development may necessitate changes in these details without notice

Authorised Dealer



NK Instruments Pvt. Ltd.

B-501/504, 5th floor, Raunak Arcade, Near THC Hospital, Gokhale Road, Naupada,
Thane(W) 400602. Maharashtra INDIA Telefax Nos.: 91-22-25301330 / 31 / 32
E-Mail: sales@nkstruments.com Web: <http://www.nkstruments.com>
Skype: nitinkelkarskype Gtalk: nkstruments2006

