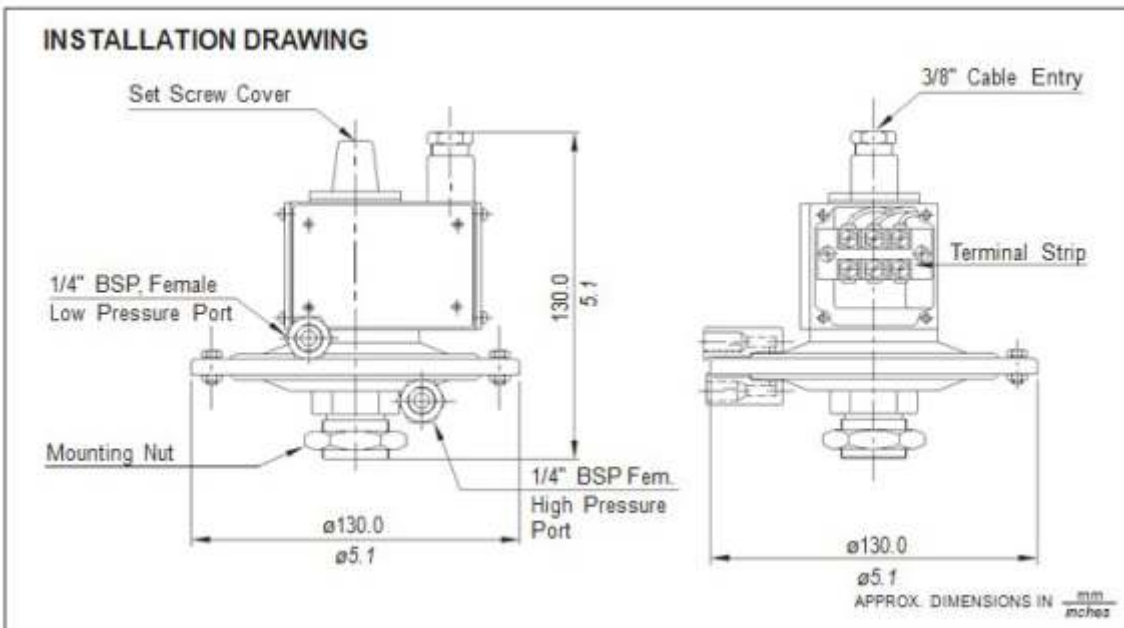
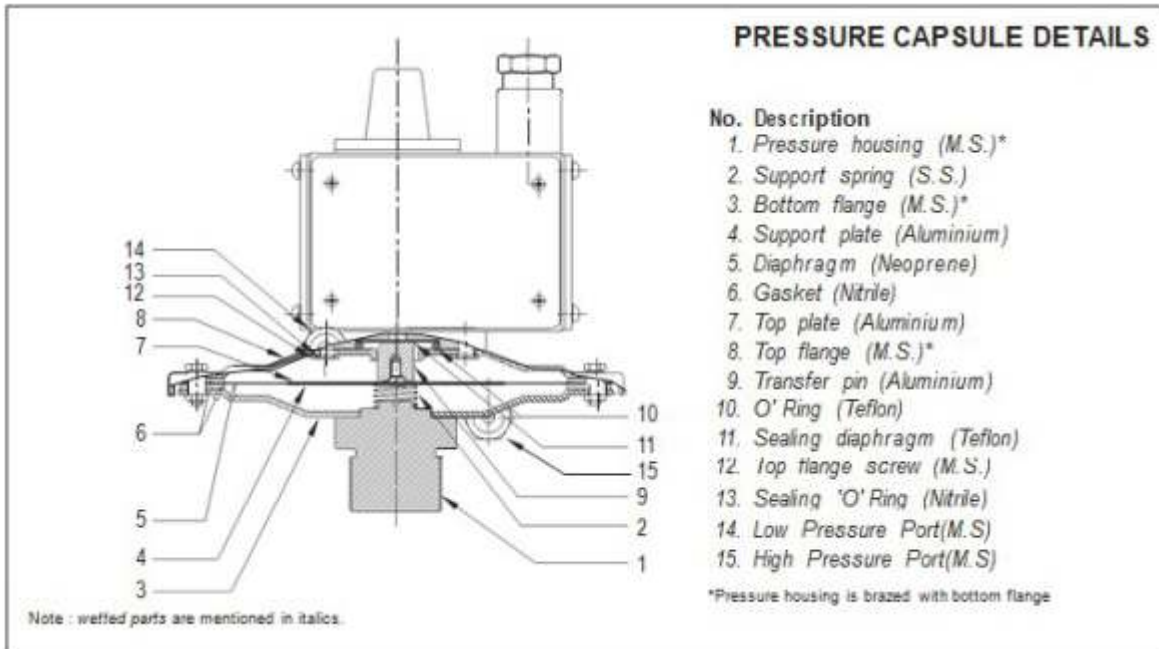


# PD LOW RANGE PRESSURE DIFFERENCE SWITCHES



# LOW RANGE PRESSURE DIFFERENCE SWITCHES

# PD

## GENERAL INFORMATION

PD series pressure difference switches are housed in pressure die cast aluminium powder coated enclosure and are recommended for panel mounting or outdoor service based on the type of enclosure opted for. The repeat accuracy is better than  $\pm 2\%$  FSR. A  $3/8''$  cable entry is provided for cables and a terminal strip suitable for wired ends is provided inside the enclosure. Pressure ports are  $1/4''$  BSPF standard

## FEATURES :

- Compact
- Separate chamber for working parts
- Electrical rating : 5A, 250VAC; 0.2A, 250 VDC (res.) ! High pressure port :  $1/4''$  BSPF
- Low pressure port  $1/4''$  BSPF
- Can be used for ?p between +ve +ve & -ve -ve pressure/vacuum

Range Code	Range (?p) mm wc ("wc) (falling)	*A pproximate Maximum Differential (Fixed) mm wg ("wc)	Maximum Working Pressure bar (psi)
L02	15 - 150 (0.590 - 5.905)	30 (1.181)	0.5 (7.252)
L03	50 - 250 (1.969 - .843)	50 (1.969)	0.5 (7.252)
L05	100 - 500 (3.937 - 19.685)	50 (1.969)	0.5 (7.252)
L10	100 - 1000 (3.937 - 39.370)	50 (1.969)	0.5 (7.252)
L15	100 - 1500 (3.937 - 59.055)	50 (1.969)	0.5 (7.252)
L25	200 - 2500 (7.874 - 98.425)	150 (5.906)	0.5 (7.252)

\* Maximum differential increases with set point. (Graphs available on request)

Continuous efforts for product development may necessitate changes in these details without notice

Authorised Dealer



*NK Instruments Pvt. Ltd.*

B-501/504, 5th floor, Raunak Arcade, Near THC Hospital, Gokhale Road, Naupada,  
Thane(W) 400602. Maharashtra INDIA      Telefax Nos.: 91-22-25301330 / 31 / 32  
E-Mail: sales@nkstruments.com      Web: http://www.nkstruments.com  
Skype: nitinkelkarskype      Gtalk: nkstruments2006

