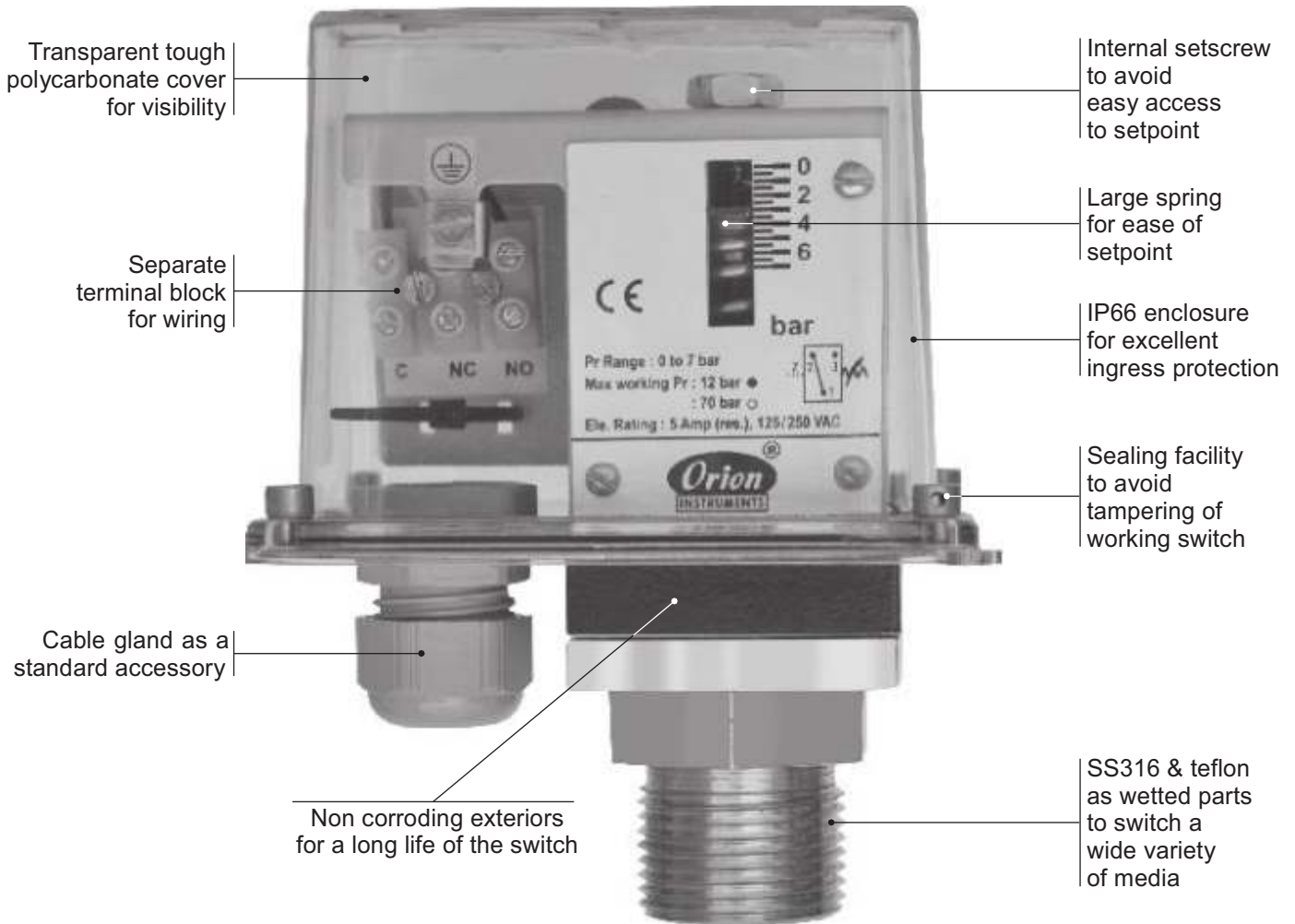


# MZ

## LARGE BORE HIGH RANGE PRESSURE SWITCHES



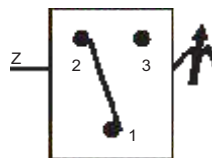
**Approximate Weight : 0.900Kg.**

### Some Applications :

Applications requiring a large bore, for slurries, sludges, etc.

### Electrical Connection :

Fig. 2



# LARGE BORE HIGH RANGE PRESSURE SWITCHES

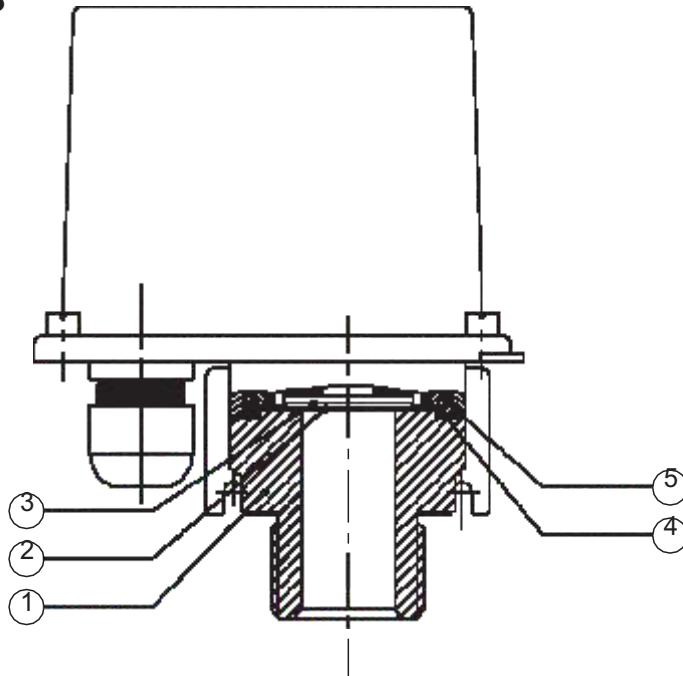
# MZ



## PRESSURE CAPSULE DETAILS

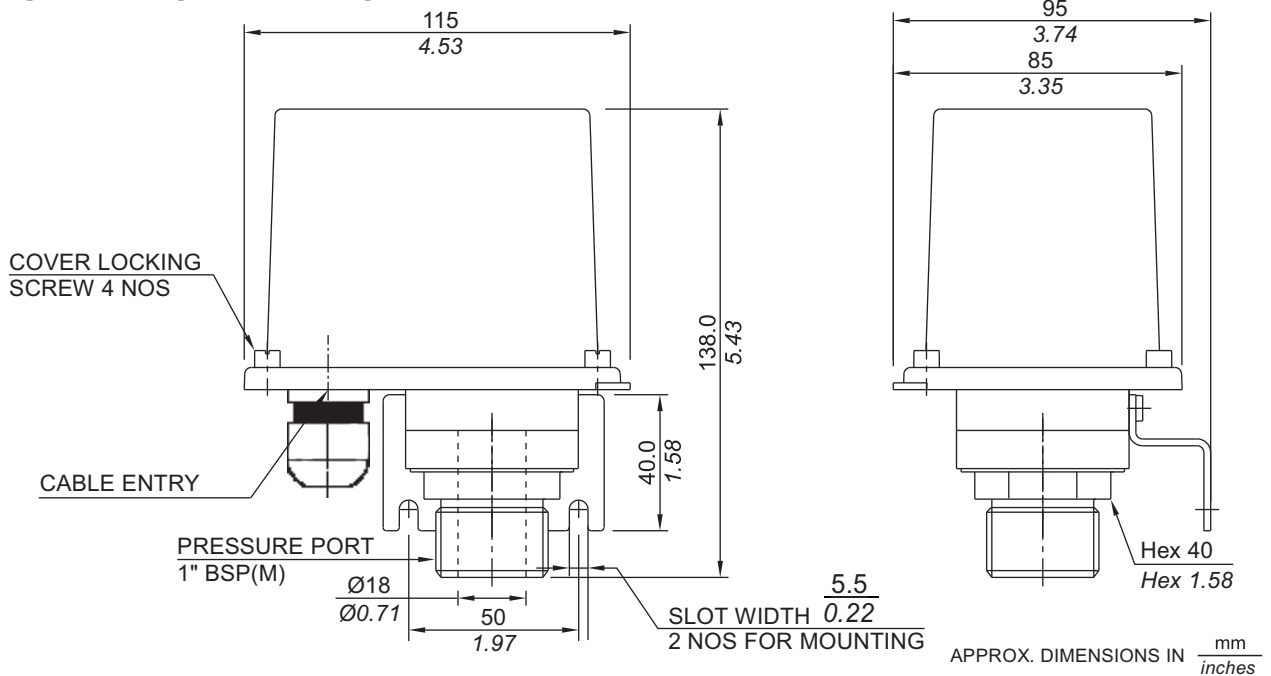
### No. Description

1. *Pressure Port (SS316)*
2. *Diaphragm (Teflon®)*
3. Plunger
4. *O-Ring (Teflon®)*
5. Disc



Note : *wetted parts* are mentioned in italics.

## INSTALLATION DRAWING



# MZ LARGE BORE HIGH RANGE PRESSURE SWITCHES

## RANGE SELECTION TABLE

Range Code	Range bar (psi)	Differential* bar (psi)	Maximum Working Pressure bar (psi)
		Approximate Maximum for "A8" microswitch	
H01	0.1 - 1.0 (1.45 - 14.50)	0.10 (1.43)	12 (171.43)
H02	0.1 - 1.5 (1.45 - 21.76)	0.20 (2.86)	12 (171.43)
H03	0.2 - 2.6 (2.90 - 37.71)	0.20 (2.86)	12 (171.43)
H04	0.2 - 3.6 (2.90 - 52.21)	0.20 (2.86)	12 (171.43)
H07	0.5 - 7.0 (7.25 - 101.50)	0.40 (5.72)	12 (171.43)
H10	0.5 - 10.0 (7.14 - 142.86)	0.60 (8.58)	25 (357.14)
H15	1.0 - 15.0 (14.29 - 214.29)	0.60 (8.58)	25 (357.14)
H30	5.0 - 25.0 (71.43 - 357.14)	0.80 (11.44)	35 (500.00)

\*Minimum differential increases with setpoint (Graphs available on request), results for neoprene diaphragm.



Note: Welded diaphragm also available as shown

Authorised Dealer



*NK Instruments Pvt. Ltd.*

B-501/504, 5th floor, Raunak Arcade, Near THC Hospital, Gokhale Road, Naupada,  
Thane(W) 400602. Maharashtra INDIA  
E-Mail: sales@nkinstruments.com  
Skype: nitinkelkarskype

Telefax Nos.: 91-22-25301330 / 31 / 32  
Web: <http://www.nkinstruments.com>  
Gtalk: nkinstruments2006



Group 1	Group 2	Group 3	Group 4	Group 5	Group 6	Group 7	Group 8
Non standard allocation	Model	Cable Entry Size	Switch Type	Range Code (values in bar)	Microswitch Type	Pressure Port Material / Size	Diaphragm
<input type="checkbox"/> Reserved for non-standard options not covered in catalogue. Will be given by manufacturer, only after agreement of supply details with customer.	<b>MZ</b> = Process pressure switch with tough transparent polycarbonate enclosure to IP66 as per IS2147	<b>3</b> = M20 X 1.5 cable gland	<b>PF2</b> = pressure switch, fixed differential with scale in bar <b>PF3</b> = pressure switch, fixed differential with scale in psi <b>*PA2</b> = pressure switch, adjustable differential with scale in bar <b>*PA3</b> = pressure switch, adjustable differential with scale in psi <small>*Available only with option A9 in Group 6</small>	<b>H01</b> = (0.1 - 1.0) <b>H02</b> = (0.1 - 1.5) <b>H03</b> = (0.2 - 2.6) <b>H04</b> = (0.2 - 3.6) <b>H07</b> = (0.5 - 7.0) <b>H10</b> = (0.5 - 10.0) <b>H15</b> = (1.0 - 15.0) <b>H30</b> = (5.0 - 25.0)	<b>A8</b> = General purpose microswitch rated at 5A; 250 VAC <b>A7</b> = 2SPDT microswitches <b>A9</b> = General purpose microswitch rated @ 5A, 250 VAC	<b>S3</b> = SS316 / 1" BSP(M) <b>N3</b> = Monel / 1" BSP(M)	<b>0</b> = Neoprene <b>1</b> = Teflon <b>2</b> = SS 316L <b>4</b> = Monel
eg. A process pressure switch with fixed differential having 0.1 bar to 1 bar pressure range, with 5 Amp. microswitch, SS316 pressure housing with 1" BSPM port size & neoprene diaphragm shall be specified by							
<input type="checkbox"/>	MZ	3	PF2	H01	A8	S3	0

Please specify full model number to avoid ambiguity.

Continuous efforts for product development may necessitate changes in these details without notice

Authorised Dealer



*NK Instruments Pvt. Ltd.*

B-501/504, 5th floor, Raunak Arcade, Near THC Hospital, Gokhale Road, Naupada, Thane(W) 400602. Maharashtra INDIA  
 E-Mail: sales@nkinstruments.com  
 Skype: nitinkelkarskype

Telefax Nos.: 91-22-25301330 / 31 / 32  
 Web: http://www.nkinstruments.com  
 Gtalk: nkinstruments2006

