

Insertion Paddle Wheel type Flow Rate Indicator– Series181

NK Instruments Pvt. Ltd. has Insertion Paddle type Flow Sensor along with Digital Flow Rate Indicator is 181 series. This type of meter has a major advantage like – Reasonable price, Very Low Pressure Drop, Easy for handling / Transportation & Installation, Quick delivery.

APPLICATIONS

- Water Treatment
- Filtration Systems
- Chemical / Pharmaceutical
- Bottling / Distillery
- Concrete Batching plant
- Textile / Process machine automation

These Flow Rate Indicator consists of 3 parts:

- A) Flow Sensor,
- B) T-fitting for Flow Sensor &
- C) Digital Unit

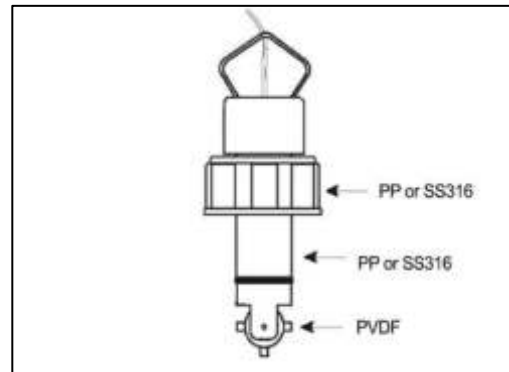
Flow Sensor are available in PP or, SS 316 construction. has open collector signal output (sink) and has a wide velocity range of 0.5 to 5 m/s (0.3 to 20 ft/s). The sensor use to measures liquid flow rates in full pipe. Sensors can be installed in 15 NB to 500 NB (0.5 to 20 inches) Line size and even bigger by using the Hot Tab Assembly

To install these sensors in process lines, specifically designed T -fittings are offered. These fittings are available in various type of T -fittings like Threaded End, Flanged End, and Weld on Adapter, Block design without pipe and Hot Tab Assembly etc. The Sensor mounting fitting is essential to for proper installation and better performance of the Flow Sensor.

The Flow Sensor for pipe line size bigger than 150 mm, we suggest to use Hot Tab Assembly for its safe installation and maintenance.

The Digital Indicator can be Panel Mounted (P181) or, Field Mounted (F181).

This meter has programmable scale factor and a direct selectable units for flow rate like M3/hr, LPH, LPM, LPS, GPM us or GPM uk.



TECHNICAL SPECIFICATIONS FOR P812

Velocity Range	: 0.5 to 5 m/s (1.6 to 16.4 ft./s)
Max. % of Solids	: 1% of fluid volume, non-abrasive, non-magnetic, <100 micron in dia. & length.
Pipe Size Rang	: 15 NB to 500 NB (0.5 to 20 inches), for bigger sizes with Hot Tap assembly
Linearity	: $\pm 1\%$ of full range
Repeatability	: $\pm 0.5\%$ of full range
length Min. Reynolds Number	: 4500
Sensor Body	: Polypropylene (black) or PVDF (black) SS 304 / SS 316
O-rings	: Viton / Teflon
Rotor Pin	: Hastelloy C
Rotor	: Black PVDF
Frequency	: 38 Hz per m/s nominal (11.6Hz per ft/s nominal)
Supply Voltage	: 10 to 24 VDC regulated
Supply Current	: <20 mA @ 10 to 24 VDC
Output Type	: Pulse output (NPN)
Cable Length	: 5m (16.4 ft.) standard
Operating Pressure	: PP Sensor Rod : max 6 bar (87 psi) SS Sensor Rod : Max 12 bar (175 psi)
Operating Temperature	: PP Sensor Rod : -10°C to 70°C (14°F to 158°F) SS Sensor Rod : -10°C to 100°C (14°F to 212°F)

Technical Specifications for Insertion Paddle Wheel type Flow Rate Indicator (Series 181)

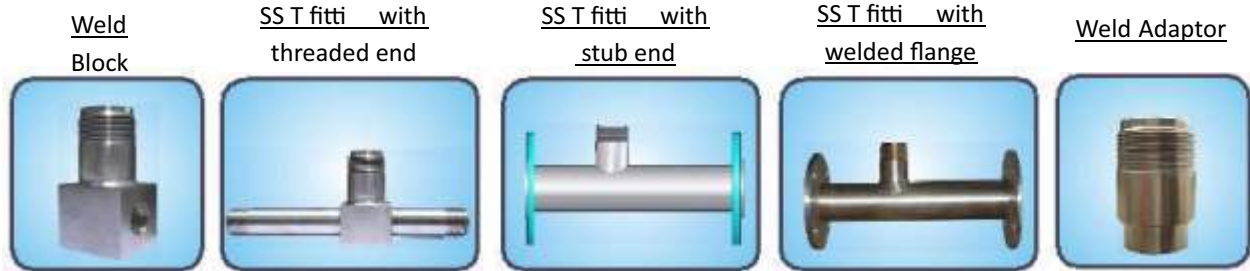
Function	: Rate Indicator only
Display	: 16 X 1 LCD display
Supply of Voltage	: 230 V AC
Linearity	: $\pm 1\%$ of full range
Repeatability	: $\pm 0.5\%$ of full range
Input	: From Flow Sensor (P812)
Configuration Lock	: Password protection
Calibrati n	: Using front membrane keys

Meter size : 110 mm X 110 mm X 150 mm

Cutout Size : 90 mm X 90 mm for panel mounted unit (P-181)

Protection Rating : Weatherproof to IP65, Similar Meter is available in flameproof version also.

TYPE OF SENSOR INSTALLATION FITTINGS

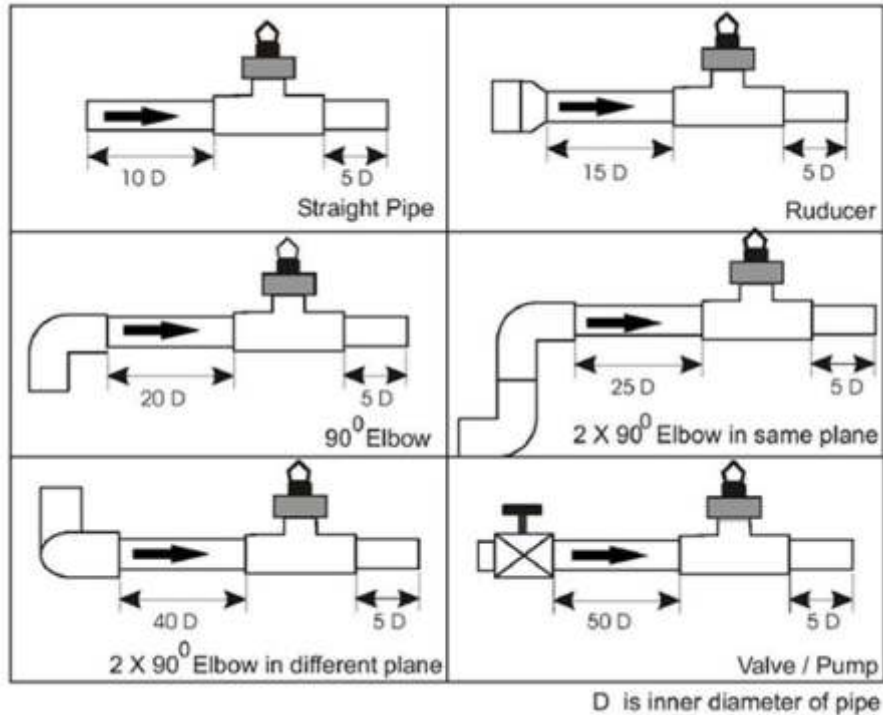


LINE SIZE SELECTION

Size	15 NB	25 NB	40 NB	50 NB	65 NB	80 NB	100 NB
Min Flow m ³ /hr	0.23	0.88	2.04	3.50	6.30	8.00	14.0
Max Flow m ³ /hr	2.60	8.80	20.4	35.0	63.0	80.0	140

Fitting Installation Condition

All type of flow meter requires straight run, as per site condition following straight pipe lengths must be provided for best result.



Continuous efforts for product development may necessitate changes in these details without notice

Authorised Dealer



NK Instruments Pvt. Ltd.

B-501/504, 5th floor, Raunak Arcade, Near THC Hospital, Gokhale Road, Naupada,
Thane(W) 400602. Maharashtra INDIA
E-Mail: sales@nkinstruments.com
Skype: nitinkelkarskype

Telefax Nos.: 91-22-25301330 / 31 / 32
Web: <http://www.nkinstruments.com>
Gtalk: nkinstruments2006

