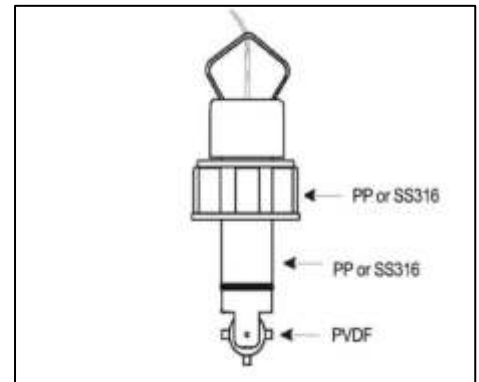


## Head Mounted Flow Transmitter for Insertion Paddle type Flow Sensor P 812Tx

### INTRODUCTION

NK Instruments Pvt. Ltd. has Head mounted Flow Transmitter for Insertion Paddle type Flow Sensor. These Flow Transmitters are very much suitable for Automation Industries and is now very commonly used by them. It becomes essential where there is very less human interference in the plant and many of the controls are from the control room. Using our blind type Flow Transmitters the PLC and Control Panels can get the signal in correspondence to the actual liquid flow rate for the control actions.

These Flow Transmitters are available in PP or, SS316 construction. This Flow Sensor has open collector signal output (sink) and has a wide velocity range of 0.5 to 5 m/s (0.3 to 20 ft/s). The sensor used to measure liquid flow rates in full pipe. Sensors can be installed in 15 NB to 500 NB (0.5 to 20 inches) Line size and even bigger by using the Hot Tab Assembly. Blind type Insertion Paddle type Flow Transmitters are very reliable, sturdy and available in very short time. The technical specifications of the Transmitters are as given below:



### APPLICATIONS

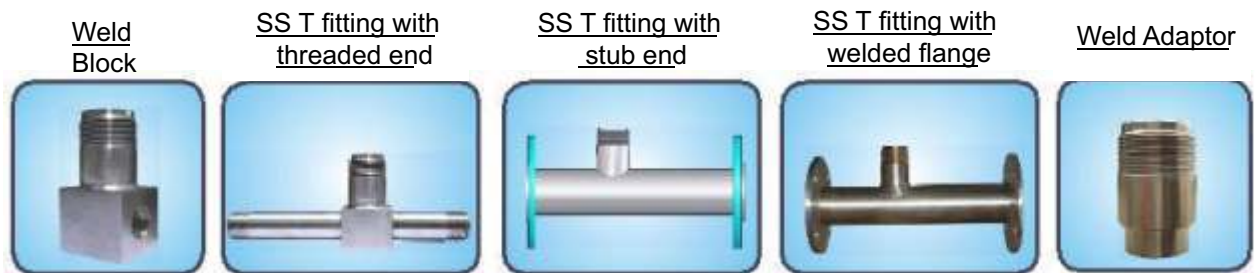
- Water Treatment
- Filtration Systems
- Chemical / Pharmaceutical
- Bottling / Distillery
- Concrete Batching plant
- Textile / Process machine automation
- Industrial Automations

These Flow Sensors are always provided with the suitable T -fitting, to ensure the required accuracy of the Sensor.

### **Technical Specifications for P 812Tx**

|                        |  |
|------------------------|--|
| Max. % of Solids       | : 1% of fluid volume, non-abrasive, non-magnetic, <100 micron in dia.& length. |
| Material of Sensor Rod | : SS 316   |
| Fitting material       | : SS304 or, SS 316   |
| Fitting Type           | : T type or, Weld on Adaptor   |
| O-rings/Pin            | : Viton /Haste alloy C   |
| Housing                | : Aluminum   |
| Max. Working Pressure  | : Max. up to 10 kg/cm <sup>2</sup>   |
| Max. Operating Temp .  | : Max up to 100 degree C   |
| Accuracy               | : +/- 1% of Full Scale if velocity is more than 0.5 m/s                        |
| Input Voltage          | : 12 to 24 VDC   |
| Output                 | : 4 to 20 mA (3 wire)  |
| Paddle material & Type | : PVDF / Magnetic or, Non-Magnetic type  |
| Wire Connections       | : Terminals would be provided in the Aluminium housing for signal cable        |
| Protecting Rating      | : IP-65 or, Flameproof   |

### **TYPE OF SENSOR INSTALLATION FITTINGS**

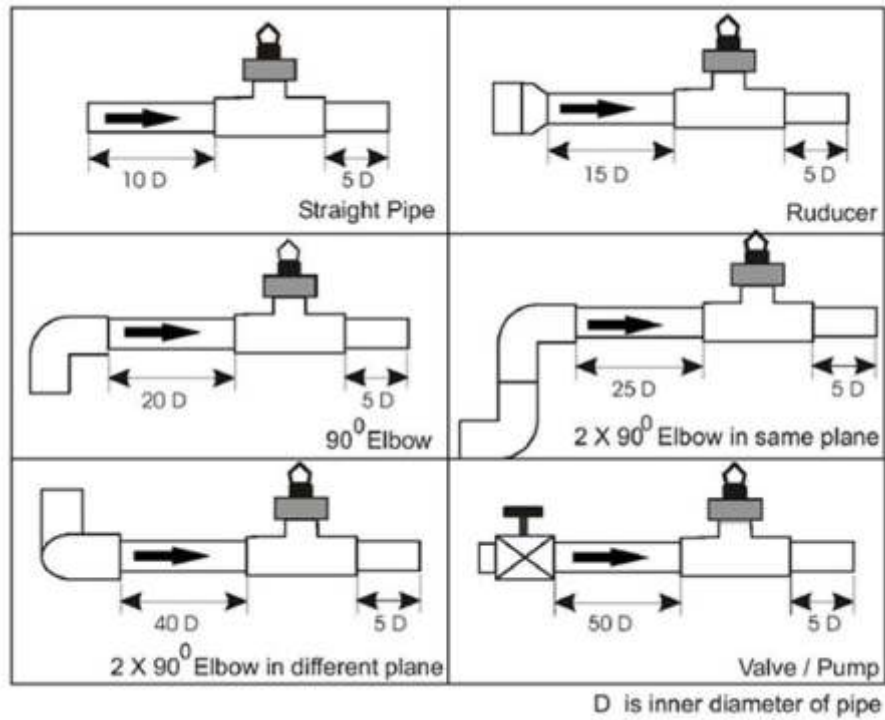


### **LINE SIZE SELECTION**

| Size                        | 15 NB | 25 NB | 40 NB | 50 NB | 65 NB | 80 NB | 100 NB |
|-----------------------------|-------|-------|-------|-------|-------|-------|--------|
| Min Flow m <sup>3</sup> /hr | 0.23  | 0.88  | 2.04  | 3.50  | 6.30  | 8.00  | 14.0   |
| Max Flow m <sup>3</sup> /hr | 2.60  | 8.80  | 20.4  | 35.0  | 63.0  | 80.0  | 140    |

### Fitting Installation Condition

All type of flow meter requires straight run, as per site condition following straight pipe lengths must be provided for best result.



Continuous efforts for product development may necessitate changes in these details without notice

Authorised Dealer



*NK Instruments Pvt. Ltd.*

B-501/504, 5th floor, Raunak Arcade, Near THC Hospital, Gokhale Road, Naupada,  
Thane(W) 400602. Maharashtra INDIA      Telefax Nos.: 91-22-25301330 / 31 / 32  
E-Mail: sales@nkstruments.com      Web: <http://www.nkstruments.com>  
Skype: nitinkelkarskype      Gtalk: nkstruments2006

