

Insertion Paddle Wheel type Flow Sensors Series-P812

NK Instruments Pvt. Ltd. has Insertion Paddle Wheel type Flow Sensors series P812, which are reliable in performance, rugged & requires almost no maintenance.

The series P812 Flow Sensors are available in PP or, SS316 construction. This Flow Sensor has open collector signal output (sink) and has a wide velocity range of 0.5 to 5 m/s (0.3 to 20 ft/s). The sensor use to measures liquid flow rates in full pipe. Sensors can be installed in 15 NB to 500 NB (0.5 to 20 inches) Line size and even bigger by using the Hot Tab Assembly.

To install these sensors in process lines, specifically designed T fittings are offered. These fittings are available in various type of T-fittings like Threaded End, Flanged End, and Weld on Adapter, Block design without pipe and Hot Tab Assembly etc. The Sensor mounting fitting is essential to for proper installation and better performance of the Flow Sensor.

The Flow Sensor for pipe line size bigger than 150 mm, we suggest to use Hot Tab Assembly for its safe installation and maintenance.

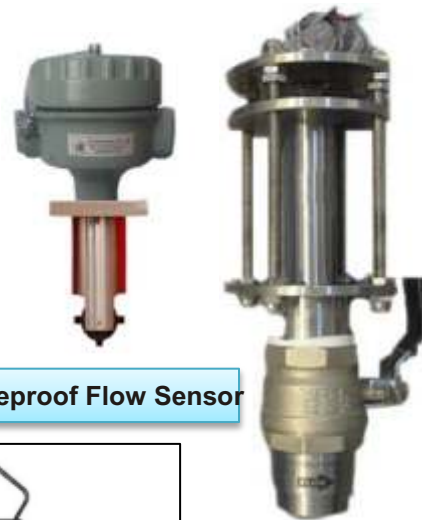
APPLICATIONS

- Water Treatment
- Filtration Systems
- Chemical / Pharmaceutical
- Bottling / Distillery
- Concrete Batching plant
- Textile/ Process machine automation
- Industrial Automations



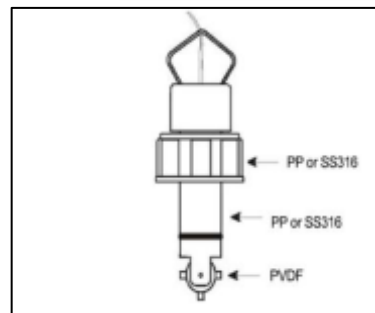
PP Sensor Rod

SS Sensor Rod



Flameproof Flow Sensor

Hot Tab Assembly

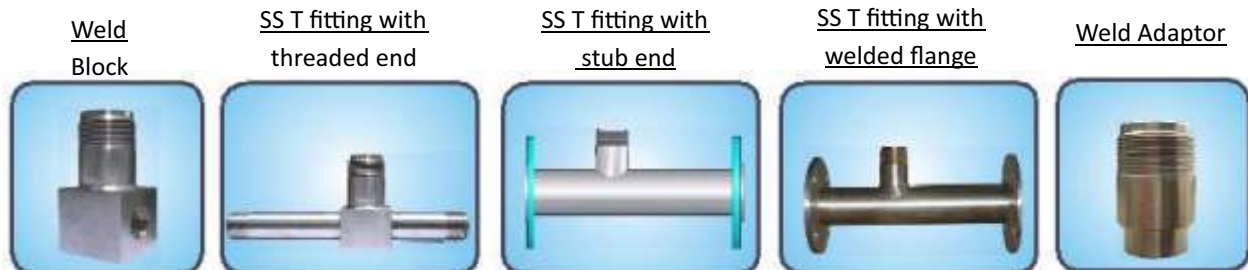


These Flow Sensors are always provided with the suitable T-fitting, to ensure the required accuracy of the Sensor.

TECHNICAL SPECIFICATIONS FOR P812

Velocity Range	: 0.5 to 5 m/s (1.6 to 16.4 ft./s)
Max. % of Solids	: 1% of fluid volume, non-abrasive, non-magnetic, <100 micron in dia. & length.
Pipe Size Range	: 15 NB to 500 NB (0.5 to 20 inches), for bigger sizes with Hot Tap assembly
Linearity	: $\pm 1\%$ of full range
Repeatability	: $\pm 0.5\%$ of full range
length Min. Reynolds Number	: 4500
Sensor Body	: Polypropylene (black), PVDF (black) or, SS 316
O-rings	: Viton / Teflon
Rotor Pin	: Hastelloy C
Rotor	: Black PVDF
Frequency	: 38 Hz per m/s nominal (11.6Hz per ft/s nominal)
Supply Voltage	: 10 to 24 VDC regulated
Supply Current	: <20 mA @ 10 to 24 VDC
Output Type	: Pulse output (NPN)
Cable Length	: 5m (16.4 ft.) standard
Operating Pressure	: PP Sensor Rod : max 6 bar (87 psi) SS Sensor Rod : Max 12 bar (175 psi)
Operating Temperature	: PP Sensor Rod : -10°C to 70°C (14°F to 158°F) SS Sensor Rod : -10°C to 100°C (14°F to 212°F)

TYPE OF SENSOR INSTALLATION FITTINGS

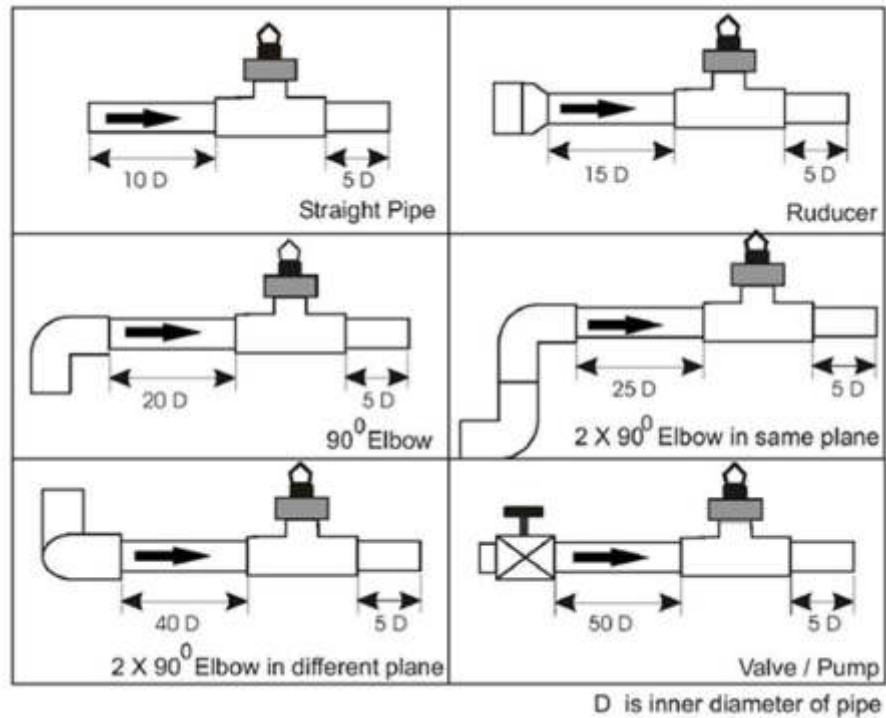


LINE SIZE SELECTION FOR THE VERY COMMON REQUIREMENTS :

Size	15 NB	25 NB	40 NB	50 NB	65 NB	80 NB	100 NB
Min Flow m ³ /hr	0.23	0.88	2.04	3.50	6.30	8.00	14.0
Max Flow m ³ /hr	2.60	8.80	20.4	35.0	63.0	80.0	140

Fitting Installation Condition

All type of flow meter requires straight run, as per site condition following straight pipe lengths must be provided for best result.



Continuous efforts for product development may necessitate changes in these details without notice

Authorised Dealer



NK Instruments Pvt. Ltd.

B-501/504, 5th floor, Raunak Arcade, Near THC Hospital, Gokhale Road, Naupada,
Thane(W) 400602. Maharashtra INDIA Telefax Nos.: 91-22-25301330 / 31 / 32
E-Mail: sales@nkstruments.com Web: <http://www.nkinstruments.com>
Skype: nitinkelkarskype Gtalk: nkinstruments2006

