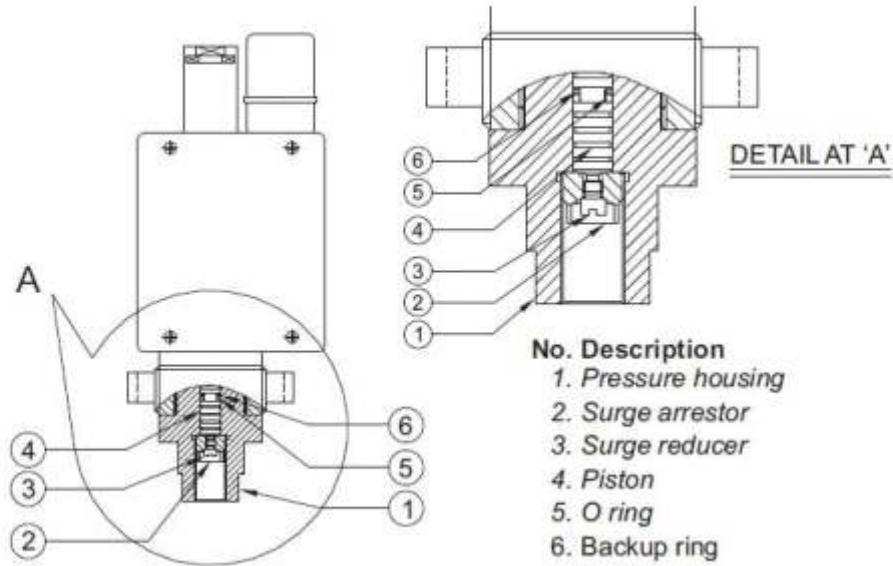


# DT HYDRAULIC PRESSURE SWITCHES

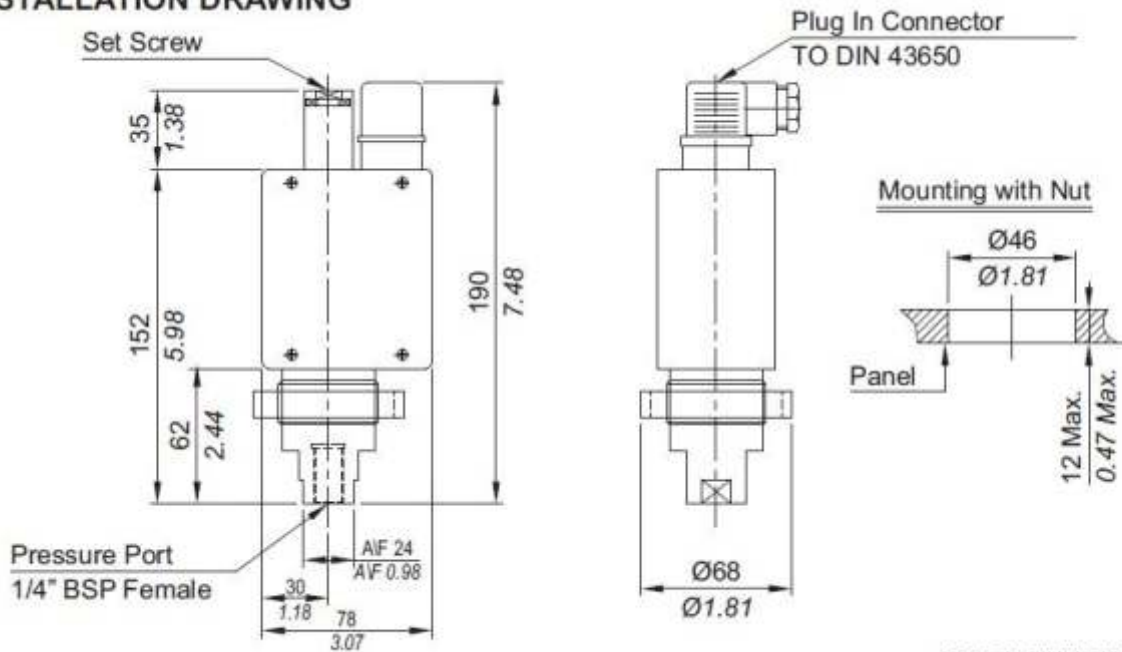


## PRESSURE CAPSULE DETAILS



Note : wetted parts are mentioned in italics.

## INSTALLATION DRAWING



# DT

## HYDRAULIC RANGE PRESSURE SWITCH

### General information:

DT series pressure switches have a cast aluminum enclosure (IP54) and are recommended for panel / line mounted hydraulic applications. The repeat accuracy is better than  $\pm 2\%$  FSR. An electrical connector to DIN 43650 is provided for wiring. Pressure port is  $\frac{1}{4}$ " BSPF standard

### Features:

- Robust construction
- 15 A switching possible (optional)
- Panel mounting
- Protective lock to avoid tampering (optional)
- Choice of wetted parts to suit working media.
- Electrical rating : 5A,250VAC ;0.2A , 250 VDC(RES.) (optionally 15 A, 250 VAC)

**Some Applications :** : Used for heavy duty machine tool applications, low on-off differential, better sensitivity, high electrical rating(15A), etc.

### Range Selection Table

Range Code	Range (rising pressure) bar (psi)	*Approximate Maximum Differential bar (psi)	Maximum Working Pressure bar (psi)
20 A	4 - 20 (58.01 - 90.08)	3 (43.51)	200 (2900.76)
40	5 - 20 (72.52 - 518.15)	5 (72.52)	80 (1160.3)
100	10 - 100 (145.04 - 1450.38)	12 (174.05)	120 (1740.45)
200	7-200 (101.52 - 2900.51)	24 (348.09)	200 (2900.76)
400	100 - 400 (1450.38 - 5801.51)	40 (580.15)	400 (5801.51)
600	60 - 600 (870.22 - 8702.26)	90 (1305.34)	600 (8702.26)

\*differential rises with setpoint (Graphs available on request)

# DT

## HYDRAULIC RANGE PRESSURE SWITCH

Wetted Parts Table for DT Series

	Standard	Optional	Special
Piston	EN8	S.S.	for special wetted parts through chemical seals, please refer page 330,331 & 332 and specify in text accordingly.
*Backup ring	Teflon	Teflon	
O ring	Viton	Viton	
Pressure housing	Aluminum	Brass	
Surge suppressor	EN8	Brass	
Surge reducer	Brass	Brass	

\* Backup ring is not used in all pressure ranges. Please contact sales office for details.

### How to order DT series hydraulic pressure switches.

Group1	Group2	Group3	Group4	Group5	Group6
Model	RangeCode	Micro switch	Wetted Parts	Protective Lock	
DT - Hydraulic Pressure Switch	Please select as per range code table	C-rated at 5A, 250 VAC H-rated at 15A, 250 VAC	S-for Standard Wetted parts B-for optional wetted parts mentioned in table above X-Specify wetted parts in text as per technical	U-without any lock P with a protective lock	Reserved for Nonstandard modifications. Code will be given by company

eg. Hydraulic pressure switch, pressure range from 5 to 40 bar, with a standard 5 A,250 VAC micro switch, standard wetted parts and a protective lock shall be specified by

Group 1	Group 2	Group 3	Group 4	Group 5	Group 6
DT	40	C	S	P	-

Please specify full model number to avoid ambiguity. If only the first two groups are specified while ordering, pressure switches with standard wetted parts will be supplied.

Continuous efforts for product development may necessitate changes in these details without notice

Authorised Dealer



*NK Instruments Pvt. Ltd.*

B-501/504, 5th floor, Raunak Arcade, Near THC Hospital, Gokhale Road, Naupada,  
Thane(W) 400602. Maharashtra INDIA      Telefax Nos.: 91-22-25301330 / 31 / 32  
E-Mail: sales@nkinstruments.com      Web: http://www.nkinstruments.com  
Skype: nitinkelcarskype      Gtalk: nkinstruments2006

