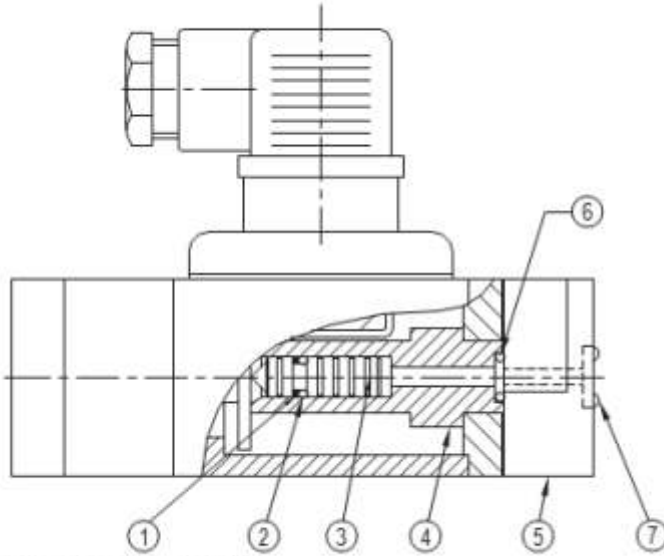




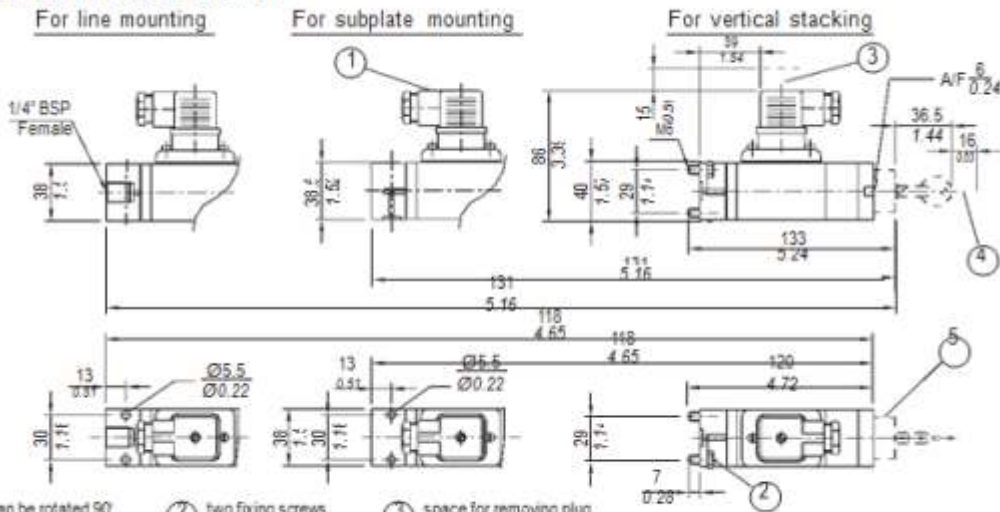
## PRESSURE CAPSULE DETAILS



- | No. | Description           |
|-----|-----------------------|
| 1.  | Backup ring           |
| 2.  | Piston seal           |
| 3.  | Piston                |
| 4.  | Pressure housing      |
| 5.  | Base                  |
| 6.  | Pressure housing seal |
| 7.  | Base seal (O ring)    |
- (N.A for line mounting style)

Note : wetted parts are mentioned in italics.

## INSTALLATION DRAWING



APPROX. DIMENSIONS IN  $\frac{\text{mm}}{\text{INCHES}}$

# HM HYDRAULIC PRESSURE SWITCHES

|  |  |
|--|--|
| <p><b>General information:</b><br/>         HM series pressure switches have a machined aluminum powder coated enclosure and are recommended for manifold mounting hydraulic applications. When fitted with different types of chemical seals these can also be used for various processes The repeat accuracy is better than <math>\pm 1\%</math> FSR. A connector to DIN 43650 is provided for wiring.</p> | <p><b>Features:</b><br/>         Compact Lightweight<br/>         Three mounting styles<br/>         Lockable protective cap to avoid tampering (optional)<br/>         Choice of wetted parts to suit working media Electrical rating : 5A, 250 VAC; 0.2A, 250 VDC (res.)</p> <p><b>Some Applications :</b> Used in compressors, hydraulic power packs, manifolds/stacks with sandwich plates, etc.</p> |
|--|--|

## Range Selection Table

| Range Code | Range (falling pressure) bar (psi) | *Approximate Maximum Differential bar (psi) | Maximum Working Pressure bar (psi) |
|------------|------------------------------------|---|------------------------------------|
| 040        | 3 - 40<br>(43.51 - 580.15)         | 5<br>(72.52)                                | 200<br>(2900.76)                   |
| 100        | 10 - 100<br>(145.04 - 1450.38)     | 12<br>(174.05)                              | 200<br>(2900.76)                   |
| 200        | 7 - 200<br>(101.52 - 2900.76)      | 24<br>(348.09)                              | 200<br>(2900.76)                   |
| 400        | 100 - 400<br>(1450.38 - 5801.51)   | 40<br>(580.15)                              | 400<br>(5801.51)                   |

\*differential rises with setpoint (Graphs available on request)

## Wetted Parts Table for HM Hydraulic Series.

|                  | Standard  | Optional    | Special   |
|------------------|-----------|-------------|---|
| Piston           | EN8       | S.S.        | for special wetted parts through chemical seals, please refer page 330,331 & 332 and specify in text accordingly. |
| Piston Seal      | Viton     | Viton       |   |
| Pressure housing | Aluminium | Brass/ M.S. |   |
| Housing Seal     | Nitrile   | Viton       |   |
| Base             | M.S.      | Brass       |   |
| Base Seal        | Nitrile   | Viton       |   |

## How to order HM Hydraulic Series pressure switches.

| Group1                         | Group2                   | Group3  | Group4   | Group5  | Group6                   |
|--------------------------------|--------------------------|---|--|---|--------------------------|
| Model                          | Range Code               | Base Type   | Protective Cap   | Wetted Parts  | Enclosure*               |
| HM - Hydraulic Pressure Switch | Hydraulic Pressure Range | S - for Sub plate mounting.<br>L - for line Mounting<br>V - for vertical Stacking | U - without any protective cap<br>P - with a lockable protective cap | M - for Standard Wetted parts.<br>B - for Brass pressure housing, brass base, SS piston. All seals of Viton only<br>X - Specify wetted parts in text as | 0 - IP 65 as per IS 2147 |

\*HM series flameproof versions will be available with 1/4" BSPF threading arrangement only. For corrosive media, a separate chemical seal can be provided.

eg. A hydraulic pressure switch, pressure range from 5 to 40 bar, as a vertical element with a lockable protective cap & standard wetted parts with a standard enclosure shall be specified by

| Group 1 | Group 2 | Group 3 | Group 4 | Group 5 | Group 6 |
|---------|---------|---------|---------|---------|---------|
| HM      | 040     | V       | P       | M       | 0       |

Please specify full model number to avoid ambiguity. If only the first two groups are specified while ordering, pressure switches with standard wetted parts will be supplied.

Continuous efforts for product development may necessitate changes in these details without notice

### Authorised Dealer



*NK Instruments Pvt. Ltd.*

B-501/504, 5th floor, Raunak Arcade, Near THC Hospital, Gokhale Road, Naupada, Thane(W) 400602. Maharashtra INDIA  
 E-Mail: sales@nkstruments.com  
 Skype: nitinkelkarskype

Telefax Nos.: 91-22-25301330 / 31 / 32  
 Web: http://www.nkstruments.com  
 Gtalk: nkstruments2006

