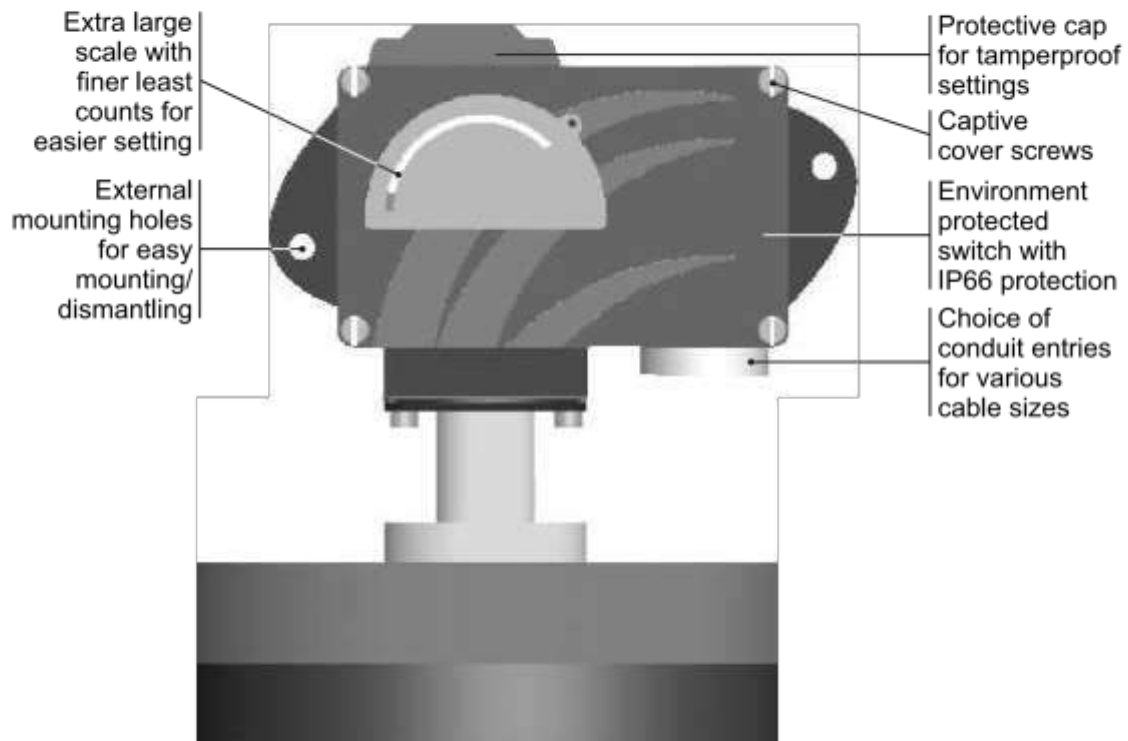
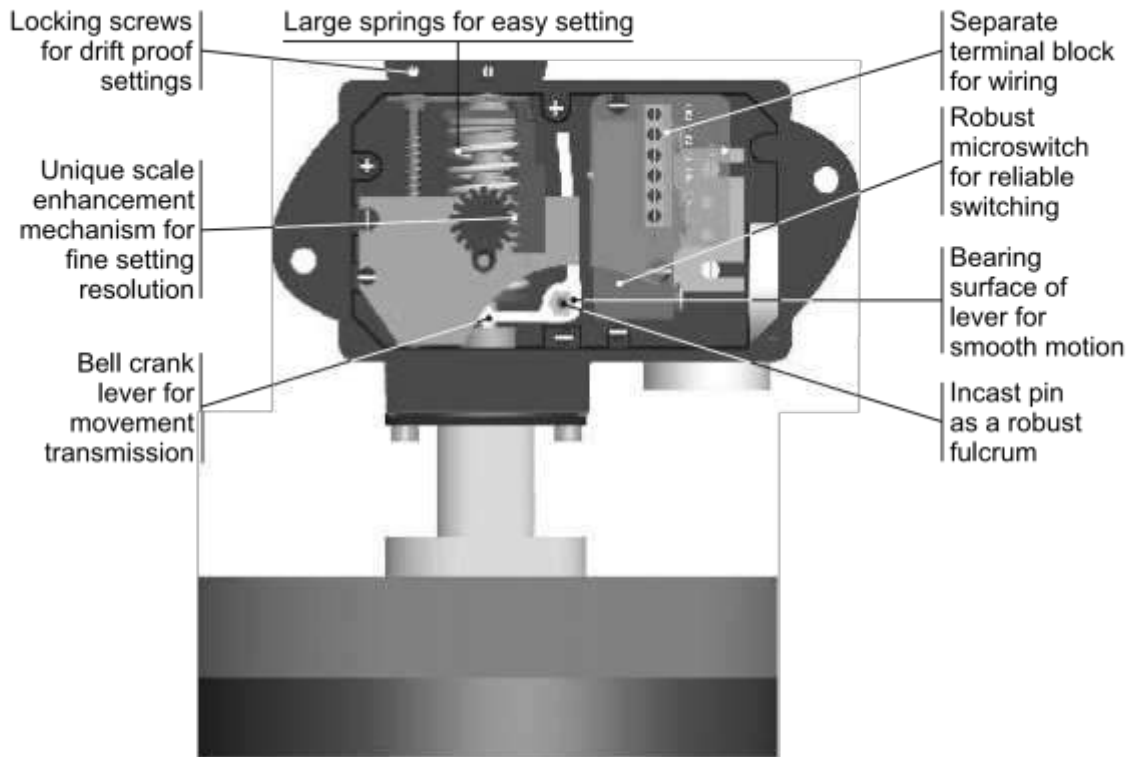
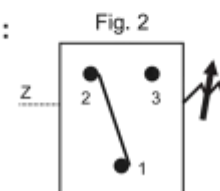


# MD LOW ΔP HIGH ROOF PRESSURE SWITCHES



Approximate Weight : 6.70 Kg.

Electrical Connection :





# MD LOW ΔP HIGH ROOF PRESSU WITCHES

## RANGE SELECTION TABLE

Range Code	Range bar (psi)	Differential* mbar ("wc)	Maximum Working Pressure bar (psi)
		Approximate Maximum for "A1" microswitch	
M03	5 - 25 (1.968 - 9.842)	5 (1.968)	100 (1428.57)
M05	10 - 50 (3.937 - 19.685)	5 (1.968)	100 (1428.57)
M10	10 - 100 (3.937 - 39.370)	10 (3.937)	100 (1428.57)
M15	10 - 150 (3.937 - 59.055)	10 (3.937)	100 (1428.57)
M25	20 - 250 (7.874 - 98.425)	15 (5.905)	100 (1428.57)

\* Minimum differential increases with setpoint (Graphs available on request)

\* Differentials of microswitches A2 through A9 will vary. Differentials for A7 are typically twice that for A1 microswitch. Please indicate specifically the differential value in enquiry/order, when it is critical in your application.

Authorised Dealer



*NK Instruments Pvt. Ltd.*

B-501/504, 5th floor, Raunak Arcade, Near THC Hospital, Gokhale Road, Naupada,  
Thane(W) 400602. Maharashtra INDIA  
E-Mail: sales@nkinstruments.com  
Skype: nitinkelkarskype

Telefax Nos.: 91-22-25301330 / 31 / 32  
Web: <http://www.nkinstruments.com>  
Gtalk: nkinstruments2006



## HOW TO ORDER HYDRAULIC RANGE FLAMEPROOF PRESSURE SWITCHES

Group 1	Group 2	Group 3	Group 4	Group 5	Group 6	Group 7	Group 8
Non standard allocation	Gas Group Classification	Cable Entry Size	Switch Type	Range Code (values in bar)	Microswitch Type	Pressure Port Size	Diaphragm
<input type="checkbox"/> Reserved for non-standard options not covered in catalogue. Will be given by manufacturer, only after agreement of supply details with customer.	<b>MD</b> = Industrial pressure switch with diecast Aluminium enclosure to IP66 as per IS2147	<b>1</b> = ½" NPT threads <b>2</b> = ¾" NPT threads <b>3</b> = M20 X 1.5 threads	<b>PF1</b> = pressure switch, fixed differential without scale <b>PF2</b> = pressure switch, fixed differential with scale in mbar <b>PF3</b> = pressure switch, fixed differential with scale in "wc <b>*PA1</b> = pressure switch, adjustable differential without scale <b>*PA2</b> = pressure switch, adjustable differential with scale in mbar <b>*PA3</b> = pressure switch, adjustable differential with scale in "wc *Available with A9 (in group 6) only	<b>M03</b> = (5 - 25) <b>M05</b> = (10 - 50) <b>M10</b> = (10 - 100) <b>M15</b> = (10 - 150) <b>M25</b> = (20 - 250)	<b>A1</b> = General purpose microswitch rated at 15 A; 250 VAC <b>*A2</b> = Hermetically sealed for corrosive environments <b>*A3</b> = gold plated contacts for low voltage applications <b>*A4</b> = DPDT configuration <b>*A5</b> = for high DC ratings <b>*A6</b> = elements with adjustable deadband <b>*A7</b> = 2SPDT switching elements <b>*A9</b> = General purpose microswitch rated at 5 A; 250 VAC * Please refer note under Range Selection Table	<b>S1</b> = SS316 pr. Housing with ¼" BSPF pressure port <b>S2</b> = SS316 pressure housing with ¼" NPT pressure port.	<b>0</b> = Neoprene <b>1</b> = Teflon

eg. A hydraulic diaphragm pressure switch, with ½" NPT cable entry in aluminium housing as 1SPDT pressure switch, fixed differential without scale, having 20 mbar to 250 mbar pressure range, with 15Amp. microswitch, SS316 pressure housing with ¼" BSP port size shall be specified by

Group 1	Group 2	Group 3	Group 4	Group 5	Group 6	Group 7	Group 8
□	MD	1	PF1	M25	A1	S1	0

Please specify full model number to avoid ambiguity. If only the first two groups are specified while ordering, uncalibrated switches with standard wetted parts and enclosures will be supplied.

Authorised Dealer



*NK Instruments Pvt. Ltd.*

B-501/504, 5th floor, Raunak Arcade, Near THC Hospital, Gokhale Road, Naupada, Thane(W) 400602. Maharashtra INDIA  
 E-Mail: sales@nkstruments.com  
 Skype: nitinkelkarskype  
 Telefax Nos.: 91-22-25301330 / 31 / 32  
 Web: http://www.nkinstruments.com  
 Gtalk: nkinstruments2006

