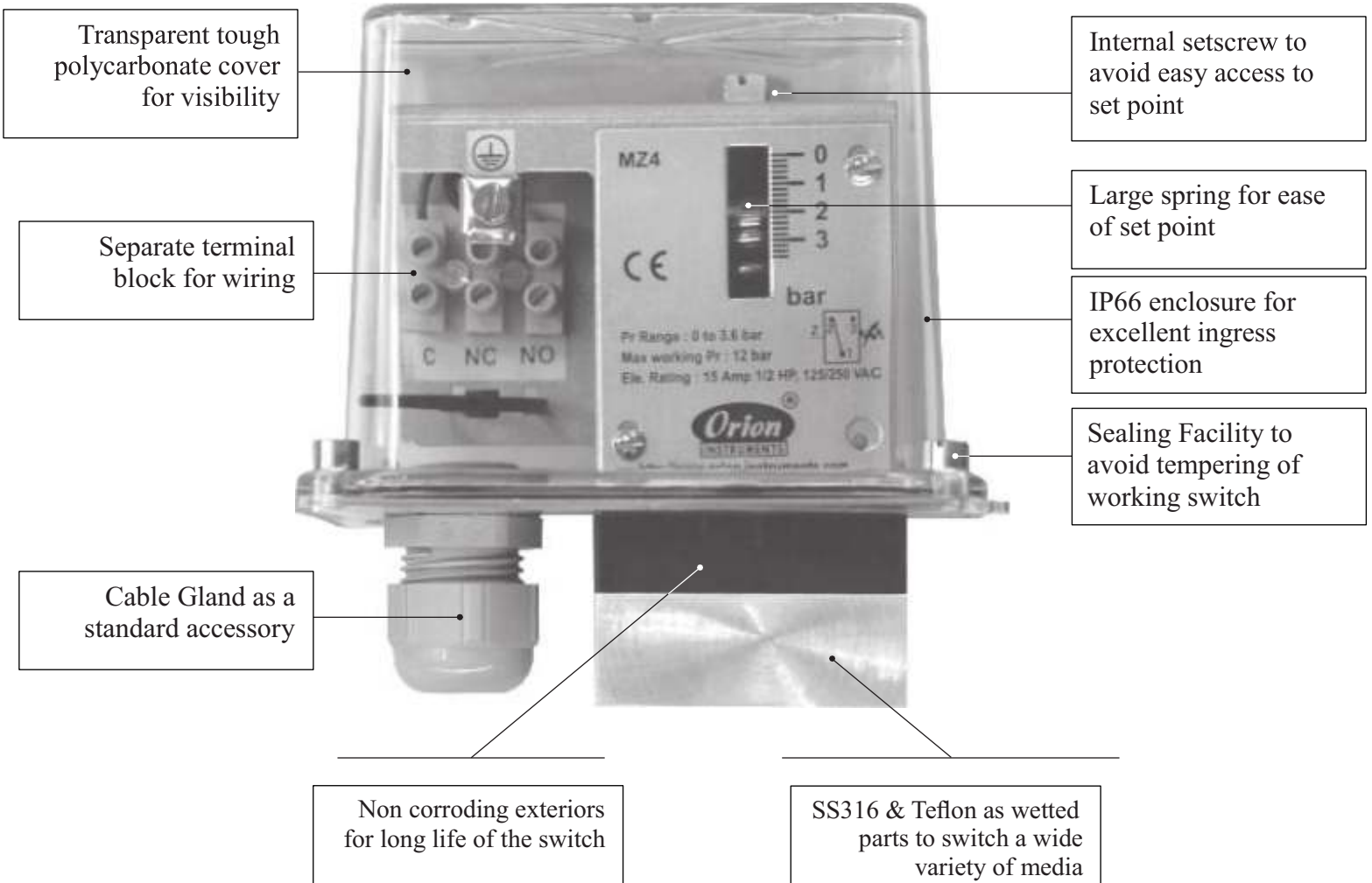


MZ

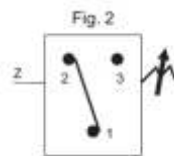
HIGH PROOF HIGH RANGE PRESSURE SWITCH



Approximate Weight : 0.900 Kg.

Some Applications : Used where low set point and high proof pressure is required like tyre moulding machines, etc.

Electrical Connections :

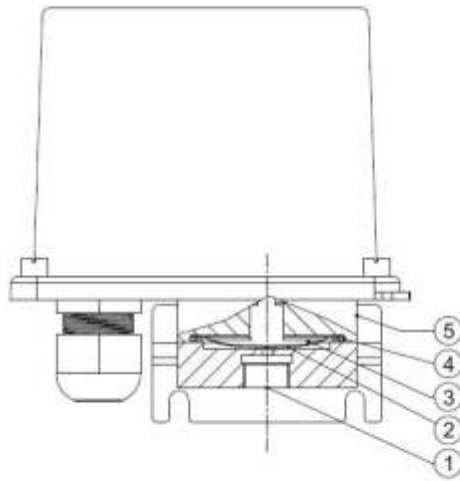


MZ

HIGH PROOF HIGH RANGE PRESSURE SWITCH



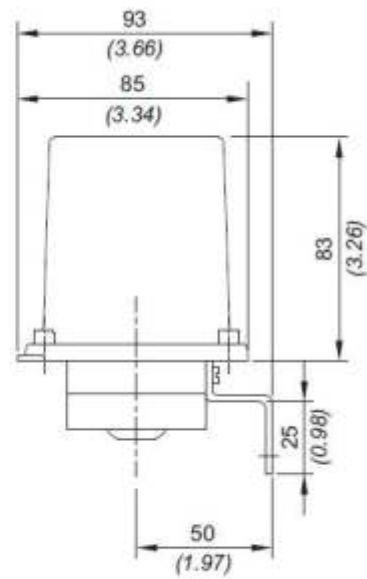
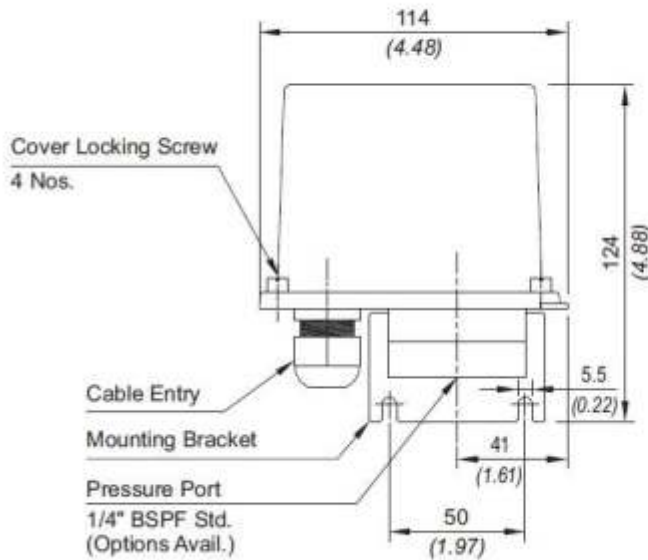
PRESSURE CAPSULE DETAILS



- No. Description**
- 1. *Pressure Housing*
 - 2. *Diaphragm*
 - 3. *Plunger*
 - 4. *O-Ring*
 - 5. *Disc*

Note : *weldd parts are mentioned in italics.*

INSTALLATION DRAWING



APPROX. DIMENSIONS IN $\frac{\text{mm}}{\text{inches}}$

MZ**HIGH PROOF HIGH RANGE PRESSURE SWITCH****RANGE SELECTION TABLE**

Range Code	Range bar (psi)	Differential* bar (psi)	Maximum Working Pressure bar (psi)
		Approximate Maximum for "A8" microswitch	
PP5	0.1 - 0.5 (1.45 - 7.25)	0.20 (2.90)	70 (1015.26)
P01	0.1 - 1.0 (1.45 - 14.50)	0.20 (2.90)	70 (1015.26)
P02	0.1 - 1.5 (1.45 - 21.76)	0.40 (5.80)	70 (1015.26)
P03	0.2 - 2.6 (2.90 - 37.71)	0.40 (5.80)	70 (1015.26)
P04	0.2 - 3.6 (2.90 - 52.21)	0.50 (7.25)	70 (1015.26)
P07	0.5 - 7.0 (7.25 - 101.53)	1.00 (14.50)	70 (1015.26)
P10	0.5 - 10.0 (7.25 - 145.04)	1.00 (14.50)	70 (1015.26)
P15	1.0 - 15.0 (14.50 - 217.56)	1.5 (21.76)	70 (1015.26)
P30	5.0 - 25.0 (72.52 - 362.6)	1.5 (21.76)	70 (1015.26)

*Minimum differential increases with set point (Graphs available on request), results for neoprene diaphragm.

Authorised Dealer



NK Instruments Pvt. Ltd.

B-501/504, 5th floor, Raunak Arcade, Near THC Hospital, Gokhale Road, Naupada,
Thane(W) 400602. Maharashtra INDIA
E-Mail: sales@nkstruments.com
Skype: nitinkelkarskype

Telefax Nos.: 91-22-25301330 / 31 / 32
Web: <http://www.nkstruments.com>
Gtalk: nkstruments2006



Group 1	Group 2	Group 3	Group 4	Group 5	Group 6	Group 7	Group 8
Non Standard Allocation	Model	Cable entry size	Switch Type	Range Code (values in bar)	Microswitch Type	Pressure Port Material / Size	Diaphragm
o Reserved for non-standard options not covered in catalogue. Will be given by manufacturer, only after agreement of supply details with customer	MZ – Process pressure switch with tough transparent polycarbonate enclosure to IP66 as per IS 2147	3 = M20 X 1.5 cable gland	PF2 = (0.1-0.5) Pressure switch, fixed differential with scale PF3=Pressure switch, fixed differential with scale in psi PA2*=Pressure Switch, adjustable differential with scale in bar PA3*=Pressure switch . adjustable differential with scale in psi *Availability only with option A9 in Group 6	PP5 = (0.1-0.5) P01=(0.1-1.0) P02=(0.1-1.5) P03=(0.2-2.6) P04=(0.2-3.6) P07=(0.5-7.0) P10=(0.5-10.0) P15=(1.0-15.0) P30=(5.0-25.0)	A8 = General purpose microswitch rated at 5A; 250VAC A7 = 2SPDT microswitch A9 = General purpose microswitch rated @ 5A, 250 VAC	S1 = SS316 / ¼” BSP (F) S2 = SS316 / ¼” NPT (F)	0 = Neoprene 1 = Teflon 2 = SS 316 L

E.g. A process pressure switch with fixed differential having 0.1 bar to 1 bar pressure range, with 5 amp microswitch, SS316 pressure housing with ¼” BSP port size & neoprene diaphragm shall be specified by

Group 1	Group 2	Group 3	Group 4	Group 5	Group 6	Group 7	Group 8
o	MZ	3	PF2	P01	A8	S1	0

Continuous efforts for product development may necessitate changes in these details without notice

Authorised Dealer



NK Instruments Pvt. Ltd.

B-501/504, 5th floor, Raunak Arcade, Near THC Hospital, Gokhale Road, Naupada, Thane(W) 400602. Maharashtra INDIA
E-Mail: sales@nkstruments.com
Skype: nitinkelkarskype

Telefax Nos.: 91-22-25301330 / 31 / 32
Web: <http://www.nkstruments.com>
Gtalk: nkstruments2006

