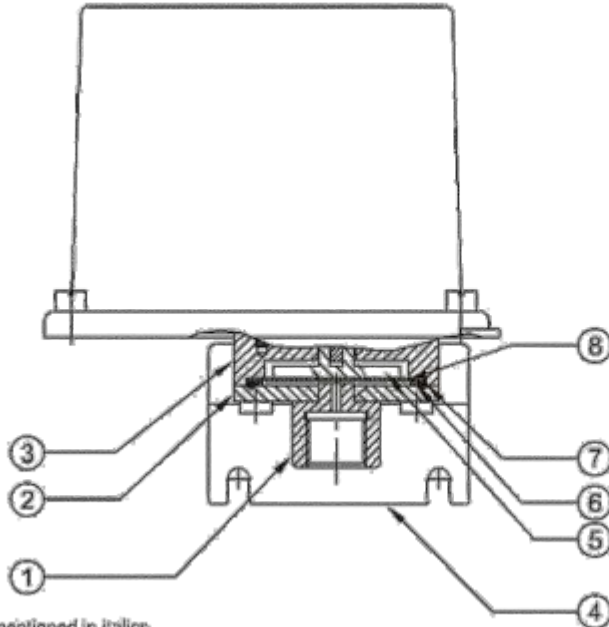




MZ & MX OEM HIGH RANGE PRESSURE SWITCHES



PRESSURE CAPSULE DETAILS

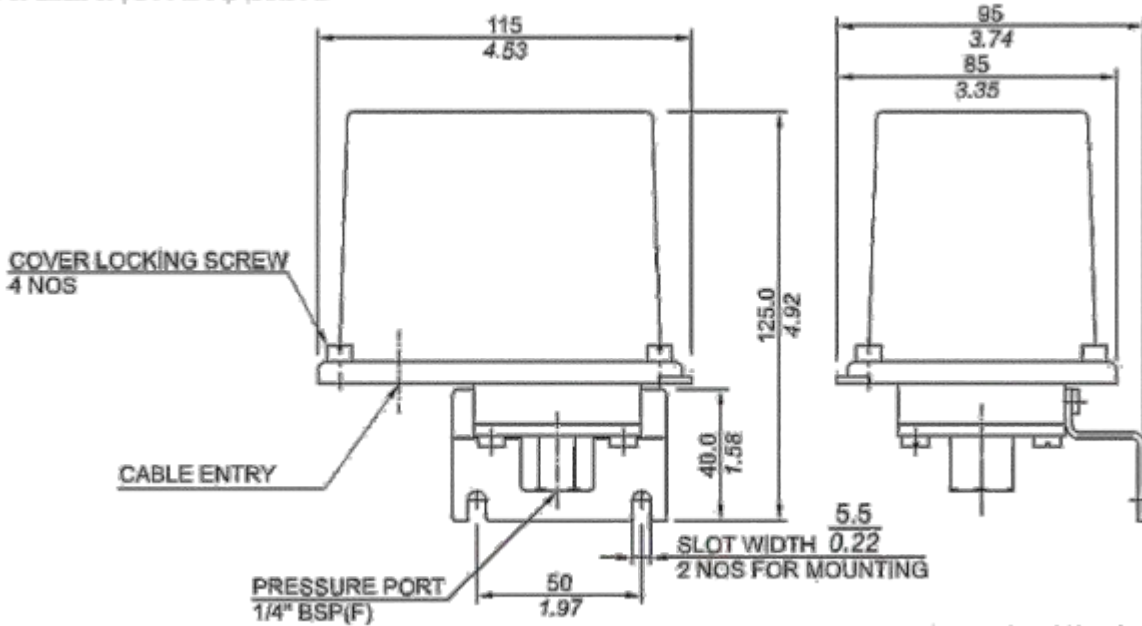


No. Description

- 1. Pressure Port (SS316)
- 2. Housing Plate (SS316)
- 3. Disc
- 4. Mounting Bracket
- 5. Plunger
- 6. Ring (SS316)
- 7. O-Ring (Teflon[®])
- 8. Diaphragm (Teflon[®])

Note : *welDED parts* are mentioned in *italics*.

INSTALLATION DRAWING



MZ & MX OEM HIGH RANGE PRESSURE SWITCHES

RANGE SELECTION TABLE

Model Code	† Range bar (psi)	*Approximate Maximum Differential bar (psi)	* Adjustable Differential bar (psi)	Maximum Working Pressure bar (psi)
MZ-1	0.1 - 1.0 (1.45 - 14.50)	0.15 (2.18)	-	12 (174.05)
MZ-4	0.2 - 3.6 (2.90 - 52.21)	0.15 (2.18)	-	12 (174.05)
MZ-7	0.5 - 7.0 (7.25 - 101.52)	0.15 (2.18)	-	12 (174.05)
MZ-10	0.5 - 10.0 (7.25 - 145.04)	0.8 (11.60)	-	25 (362.6)
MZ-15	1.0 - 15.0 (14.50 - 217.71)	1.5 (21.76)		25 (362.6)
MZ-30	5.0 - 25.0 (72.52 - 362.6)	1.5 (21.76)		35 (507.63)
MX-7	0.5 - 7.0 (7.25 - 101.52)		0.8 - 2.0 (11.60 - 29.00)	12 (174.05)
MX-10	0.5 - 10.0 (7.25 - 145.04)		0.8 - 2.0 (11.60 - 29.00)	25 (362.6)
MX-15	1.0 - 15.0 (14.50 - 217.71)		1.0 - 2.0 (14.50 - 29.00)	25 (362.6)
MX-30	5.0 - 25.0 (72.52 - 362.6)		1.5 - 2.5 (21.76 - 36.26)	35 (507.63)

- Minimum differential increases with set point (Graphs available on request)
- †Rising pressure for MZ series
- †Falling pressure for MX series

SPECIFICATIONS

- Range : As per model code
- Electrical Rating : 15 Amp, 250 VAC, SPDT snap action microswitch
- Enclosure : IP 66 standard, transparent tough polycarbonate cover.
- Wetted Parts : SS 316 & Teflon
- Pressure Port : ¼" BSPF standard
- Cable gland : M20 X 1.5 standard (polyamide)
- Maximum Temperature : 80°C max. Please use impulse tubing for high temperatures.
Of working

- IP66 is approximately equivalent to NEMA 4X

HOW TO ORDER MZ / MX OEM HIGH RANGE PRESSURE SWITCHES

PLEASE SPECIFY MODEL NO. AS PER RANGE SELECTION TABLE ABOVE

Authorised Dealer



NK Instruments Pvt. Ltd.

B-501/504, 5th floor, Raunak Arcade, Near THC Hospital, Gokhale Road, Naupada,
Thane(W) 400602. Maharashtra INDIA Telefax Nos.: 91-22-25301330 / 31 / 32
E-Mail: sales@nkinstruments.com Web: http://www.nkinstruments.com
Skype: nitinkelkarskype Gtalk: nkinstruments2006

