

**PRESSURE SWITCHES
PRESSURE DIFFERENCE SWITCHES
VACUUM SWITCHES**
From 1.5 mbar to 600 bar



MG/ME Pressure Switches

INSTALLATION AND OPERATING INSTRUCTIONS



Authorised Dealer

Certificate No.: FM72815



NK Instruments Pvt. Ltd.

B-501/504, 5th floor, Raunak Arcade, Near THC Hospital, Gokhale Road, Naupada,
Thane(W) 400602. Maharashtra INDIA Telefax Nos.: 91-22-25301330 / 31 / 32
E-Mail: sales@nkinstruments.com Web: <http://www.nkinstruments.com>
Skype: nitinkelkarskype Gtalk: nkinstruments2006



ISO 9001:2008

INSTALLATION AND OPERATING INSTRUCTIONS FOR MG/ME MODELS

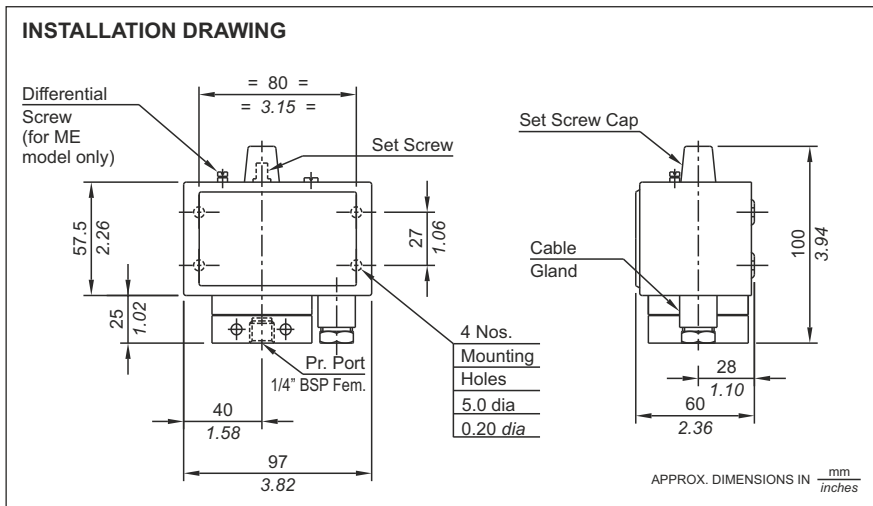
Installation and Operating instructions:

The Pressure switch is housed in a pressed steel enclosure which conforms to IP40 protection factor. All MG and ME models have calibrated scales. The pressure capsule, at the bottom of the switch, comprises a pressure housing (either of aluminum, brass or SS316), a disc, nylon reinforced rubber diaphragm and a plunger. The electrical changeover is through a snapaction microswitch. The electrical wiring terminates at a terminal strip having screwed ends. A 3/8" cable gland has been provided for cable entry.

Principle of operation :

The pressure in the pressure capsule is converted into force by means of a reinforced rubber diaphragm and a calibrated piston, which is balanced by a compression spring from above. When the force generated by the pressure in the pressure capsule exceeds/falls beyond the balancing spring force, an electrical element is actuated.

Fig. 1



Mounting :

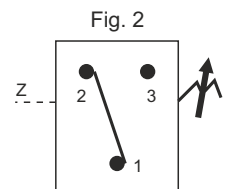
Please refer Fig. 1

The high pressure range pressure switches can be mounted in any direction.

1. For high range pressure switches
 - a) Pressure switches can be mounted directly in case the mounting is rigid.
 - b) For panel mounting, use M4 bolts of appropriate length through the mounting holes. If the equipment is subject to vibration, please use rubber washers / pads between the panel and the switch.
- 2) Connect the pressure tubing to the pressure port. The pressure port size is generally 1/4" BSP Female. Other sizes can be obtained via adaptors.

Electrical Connections :

Pressure switches will generally have only one SPDT microswitch.



Wiring :

Please refer fig. 3

- a) Remove the front cover.
- b) Pass the cable through the cable gland and connect the wiring as per the wiring diagram.

The colour code is as per the details given below.

terminal 1 (Common) : Red
terminal 2 (Normally closed): Black
terminal 3 (Normally Open) : Yellow

Set Point adjustment :

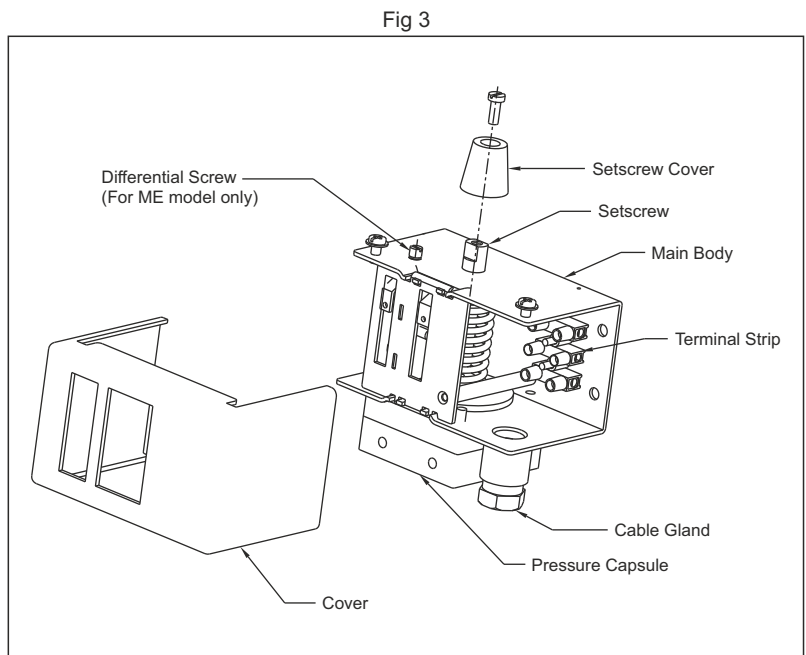
Please refer fig. 3

- a) For MG Models
 - 1) Remove the setscrew cover
 - 2) Adjust the desired setpoint on the scale.
 - 3) Apply the desired cutin (lower) / cutout (higher) pressure to the pressure switch.
 - 4) Some minor adjustment will be required to achieve the exact cutin (lower) / cutout (higher) point, which can be checked with the help of a proper pressure measurement device.
 - 5) Replace the setscrew cover.

Tip : The pressure switches are factory set at half the setpoint range (unless otherwise specified in a Purchase Order). Step 2 can be omitted if the desired set point is more than the factory setting.

Set point adjustment for ME models

- 1) Decide the cut-in (lower) pressure P1 & the cut-out (upper) pressure P2. The differential will be (P2-P1).
- 2) Remove the set screw cover.
- 3) Set the cut-in point on the main-scale with the help of the set-screw.
- 4) Turn the differential screw to the extreme positive end.
- 5) Apply the desired cutout (higher) pressure to the pressure switch.
- 6) Decrease the differential pressure setting by turning the differential screw till contacts changeover.
- 7) Some minor adjustment will be required to achieve the exact cutin (lower) / cutout (higher) point, which can be checked with the help of proper pressure measurement device.
- 8) Replace the setscrew cover.



Trouble shooting Tips

Generally no problems are observed if the pressure switch selection, wiring and the setpoint is proper. For a pressure switch selection procedure, please consult our sales office. For properly selected pressure switches, if following symptoms are observed, the likely causes and remedies are as stated below.

Symptom 1 : Switch does not operate

- 1) Wiring may not be correct. Check electrical connections to the pressure switch, if they are as per the wiring diagram.
- 2) Pressure does not reach the pressure port.
 - a) Check if the entry to the pressure capsule is not blocked by frozen process or scales or impurities in the process.
 - i) If this is the case, try freeing the blocked path by a blunt tool in case of scales and impurities.
 - ii) For frozen process, it is advisable to use chemical seals.

DO NOT OPEN THE PRESSURE CAPSULE IN ANY EVENT

If the cause is none of the above mentioned probabilities, proceed as per the following steps.

- b) Check the system pressure & set point of pressure switch.
 - i) For use of pressure switch for falling setpoints, system pressure has to be greater than the cutout point.
 - ii) For use of pressure switch for rising setpoints, the system pressure may not be reaching / exceeding the cutout point.
- c) For ME model turn the differential screw to the extreme negative end.
- d) Use 'T' connection & connect calibrated pressure gauge to the 'T' connection as shown in the figure.
- e) Adjust the setpoints such that the system pressure is greater than the cut-point of the pressure switch.
- f) If the switch still does not operate, remove the pressure switch physically from the system. There should be continuity between terminals 1 & 2.
If no continuity is observed, the pressure switch should be returned to the factory.

Symptom 2 : Short Wiring

Isolate the switch electrically. Check the continuity between terminals and the screws fitted to the body. If no continuity is observed between any of the terminal and the screws fitted to the body, check the short connection elsewhere in the circuit. If continuity observed, the wires of the pressure switch have internally touched the body, and the switch should be returned to the factory.

Symptom 3 : Leakage

In case leakage is observed, the pressure switch has to be returned to the factory without opening the pressure capsule. Check for the following likely causes and use a new switch taking proper precautions.

- a) System pressure is greater than working pressure. Use an overrange protector or a switch with appropriate maximum working pressure.
- b) Incompatible wetted parts :
The working medium may not be compatible with wetted parts, which affects the sealing of the process from working parts. Use a chemical seal for the pressure switch or use proper compatible wetted parts.
- c) Excessive process temperature :
Process temperature may exceed maximum allowable temperature, which in turn damages the diaphragms. Use an impulse tubing of proper length for cooling the process temperature. There may be a pressure drop depending on the length of the impulse tube used. Adjust the setpoint of the pressure switch accordingly.

Symptom 4 : Chattering

- 1) Check the system pressure for surges. Chattering is observed where the system pressure is close to the cutin / cutout point and the surge pressure exceeds the on - off differential. Use a pressure switch with adjustable differential or use surge dampers in your system. ■

Fig 4

