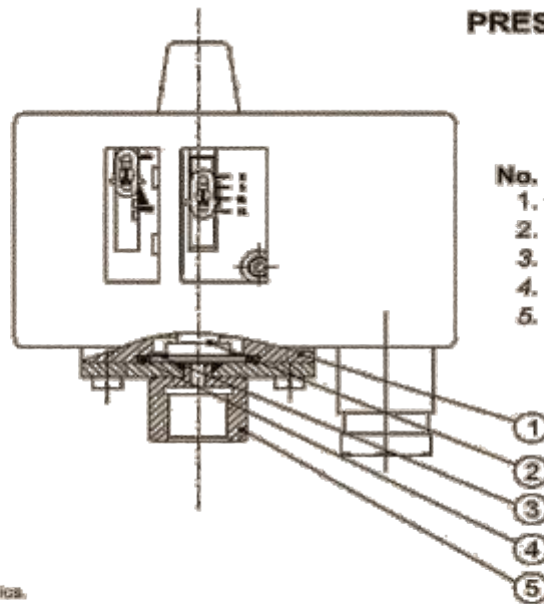


OEM HIGH RANGE PRESSURE SWITCHES

EZ / EX



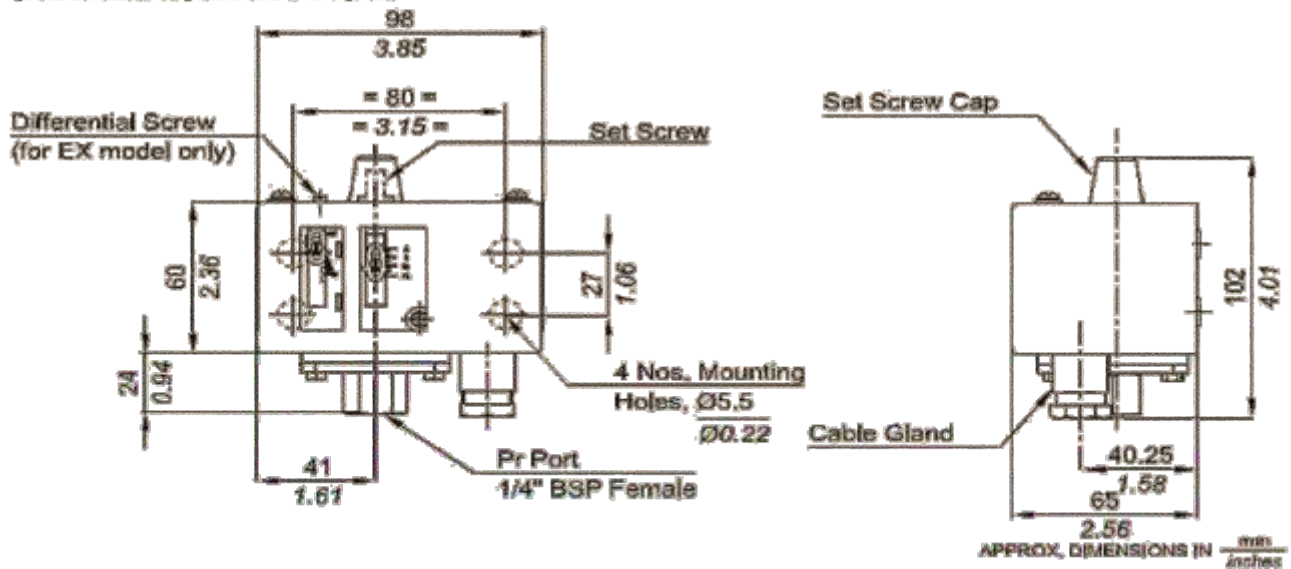
PRESSURE CAPSULE DETAILS



- | No. | Description |
|-----|---------------------------|
| 1. | Disc |
| 2. | Plunger |
| 3. | Diaphragm (Teflon) |
| 4. | O ring (Teflon) |
| 5. | Pressure Housing (SS 316) |

Note: *italicized parts are mentioned in Italics.*

INSTALLATION DRAWING



EZ/EX Series pressures switches are house in pressed steel powder coated enclosure & are recommended for panel mounting or indoor service. The repeat accuracy is better than +- 1.5% FSR. A 3/8" cable entry is provided for cables & a terminal strips suitable for a wired end is provided inside the enclosure. Pressure port is 1/4" BSPF standard.

Features :

- Compact
- SS316 & Teflon as standard wetted parts.
- Electrical rating : 5A, 250 V AC, 0.2A, 250 VDC (res.)
- Pressure port is 1/4" BSPF standard.

Range Selection Table:

Model	Range Bar (psi)	Approximate max. differential bar (psi)	Adjustable differential bar (psi)	Maximum working pressure bar (psi)
EZ4	0.2 - 3.6 (2.90 - 52.21)	0.20 (2.90)	-	12 (174.05)
EZ7	0.5 - 0.7 (7.14 - 101.52)	0.40 (5.80)	-	12 (174.05)
EZ15	1.0 - 15.0 (14.50 - 271.71)	0.60 (8.70)	-	25 (362.6)
EZ30	5.0 - 25.0 (71.43 - 357.14)	1.00 (14.50)	-	35 (500.00)
EX7	0.5 - 7 (7.14 - 100.00)	-	0.8 - 6.0 (11.43 - 85.71)	12 (171.43)
EX15	1.0 - 15.0 (14.29 - 214.29)	-	1.5 - 10.0 (21.43 - 142.86)	25 (357.14)
EX30	5.0 - 25.0 (71.43 - 357.14)	-	2.5 - 10.0 (35.71 - 142.86)	35 (500.00)

- Minimum differential increases with set point (Graphs available on request)
- Rising pressure for EZ series ; falling pressure for EX series

HOW TO ORDER EZ / EX OEM HIGH RANGE PRESSURE SWITCHES

PLEASE SPECIFY MODEL NO. AS PER RANGE SELECTION TABLE ABOVE

Authorised Dealer



NK Instruments Pvt. Ltd.

B-501/504, 5th floor, Raunak Arcade, Near THC Hospital, Gokhale Road, Naupada, Thane(W) 400602. Maharashtra INDIA
 E-Mail: sales@nkinstruments.com
 Skype: nitinkelkarskype

Telefax Nos.: 91-22-25301330 / 31 / 32
 Web: http://www.nkinstruments.com
 Gtalk: nkinstruments2006

