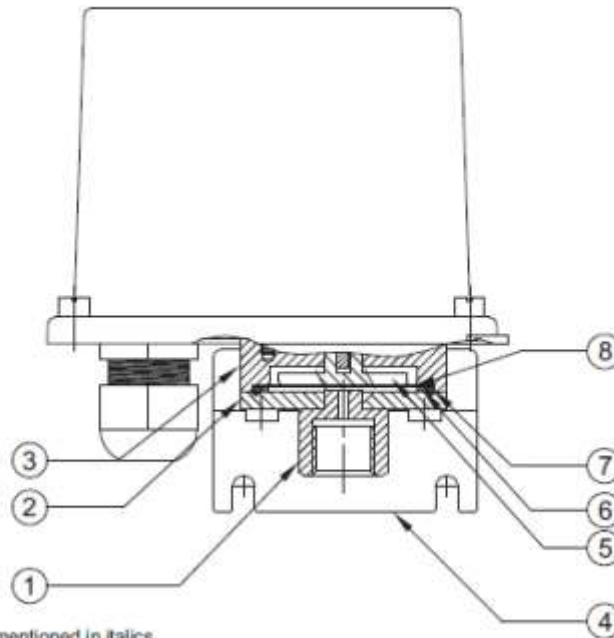




PRESSURE CAPSULE DETAILS

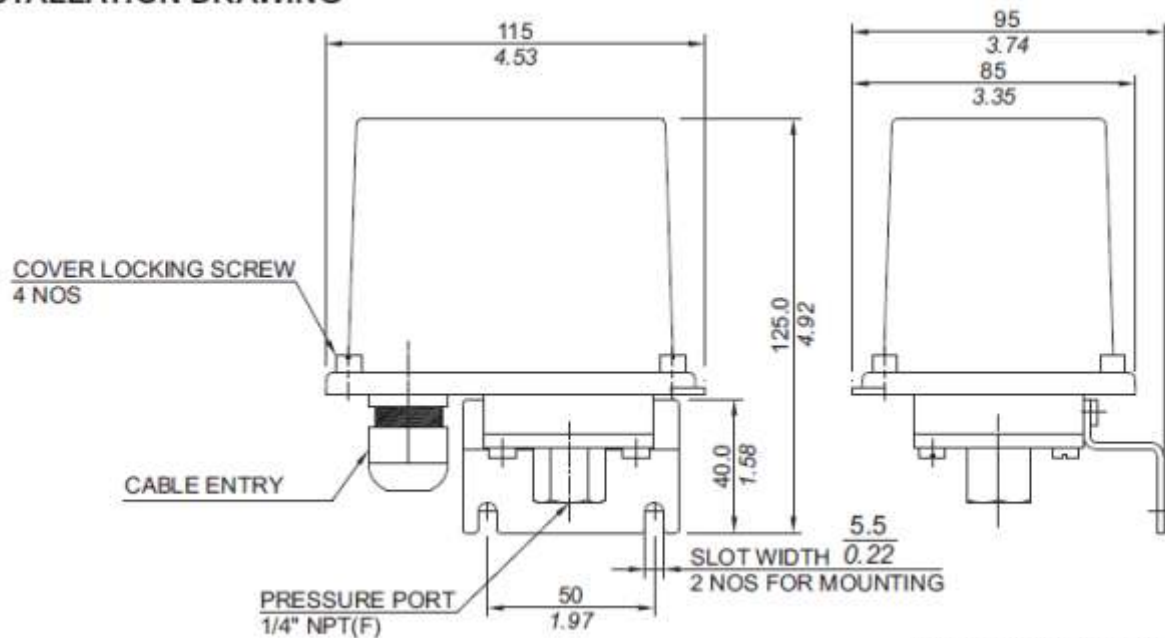


No. Description

1. Pressure Port (SS316)
2. Housing Plate (SS316)
3. Disc
4. Mounting Bracket
5. Plunger
6. Ring (SS316)
7. O-Ring (Teflon®)
8. Diaphragm (Teflon®)

Note : wetted parts are mentioned in italics.

INSTALLATION DRAWING



RANGE SELECTION TABLE

Model Code	Range † psi	*Approximate Maximum Differential psi	Maximum Working Pressure psi
MZ-1A	1.5 – 15.0	2.0	200
MZ-4A	3.0- 50.0	3.0	200
MZ-7A	7.0 – 100.0	6.0	200
MZ-10A	7.0 - 150.0	12.0	350
MZ-15A	15.0 - 200.0	20.0	350
MZ-30A	70.0 - 350.0	20.0	500

*Minimum differential increases with set point (Graphs available on request)

†Rising pressure for MD series

SPECIFICATIONS :

Range	As per model code
Electrical Rating	15 Amp, 250 VAC, SPDT snap action micro switch
Enclosure	IP66 standard , transparent tough polycarbonate cover
Wetted Parts	SS 316 & Teflon
Pressure Port	¼” NPTF standard
Cable gland	M20 X 1.5 standard (polyimide)
Maximum temperature of working medium	80°C maximum, Please use impulse tubing for higher temperatures

- IP66 is approximately equivalent to NEMA 4X

HOW TO ORDER MZ - A SERIES OEM PRESSURE SWITCHES

Please select model code from Range Selection table

Continuous efforts for product development may necessitate changes in these details without notice

Authorised Dealer



NK Instruments Pvt. Ltd.

B-501/504, 5th floor, Raunak Arcade, Near THC Hospital, Gokhale Road, Naupada,
Thane(W) 400602. Maharashtra INDIA
E-Mail: sales@nkinstruments.com
Skype: nitinkelkarskype

Telefax Nos.: 91-22-25301330 / 31 / 32
Web: <http://www.nkinstruments.com>
Gtalk: nkinstruments2006

