

Flow Switch

Model: FS series.

MINIATURE FLOW SWITCH

MULTI-TECH DEVICES.
CATALOGUE

General

MTD make compact type, magnetically actuated Piston type flow switches are designed for positive detection of fluid flow through your equipment. FS series models provides adjustability over wide range. These are suitable for water, kerosene, Very low viscosity lubricating oils, gas/air etc.



REED SWITCH : Hermetically sealed
CONNECTOR: DIN 43650-PG-9

Technical Data

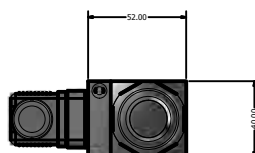
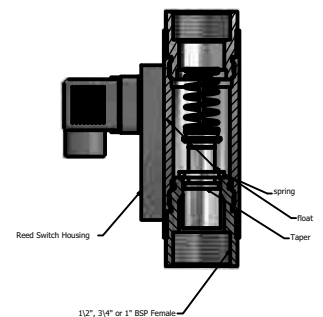
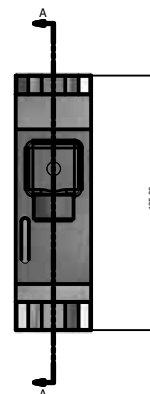
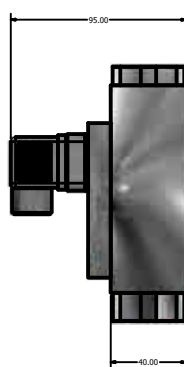
Scale Tolerance ±3% of full scale
Max. System Pressure 100 Kg/cm²
Temperature Range 8°C to 80°C
Sensor Specifications Hermetically sealed reed switch,
Contact Rating* 1A 230VAC 50 VA, SPDT 1NO+1NC
Hysteresis Depending on Switch value.
Available Port Sizes ½", ¾", 1" BSP Female

Note: Fluid should be very clean. Suspended particles may clog the flow switch which consequently affects the flow switch performance. Please take care of surge currents to avoid damage of Reed switch element. In such cases please apply R.C. (Resistor & Capacitor) network.

Line Size	Model No.	Recommended Max. Flow LPM of H ₂ O	Adjustable Range			W Max. mm	H Max. mm	L Max. mm	Weight in Kg
			LPM of H ₂ O						
1/2" - 12mm	FS-4XSCAD	60	3 - 30			40	96	130	1.3
3/4" - 20mm	FS-5SCAD	100	3 - 30	6 - 60		40	96	130	1.25
1" - 25mm	FS-6SCAD	150	3 - 30	6 - 60	10 - 100	40	96	130	1.2

Material Composition

Housing : SS316L
Spring : SS316L
Float : SS316L
Couplings : SS316L
Guide Rod : SS316L



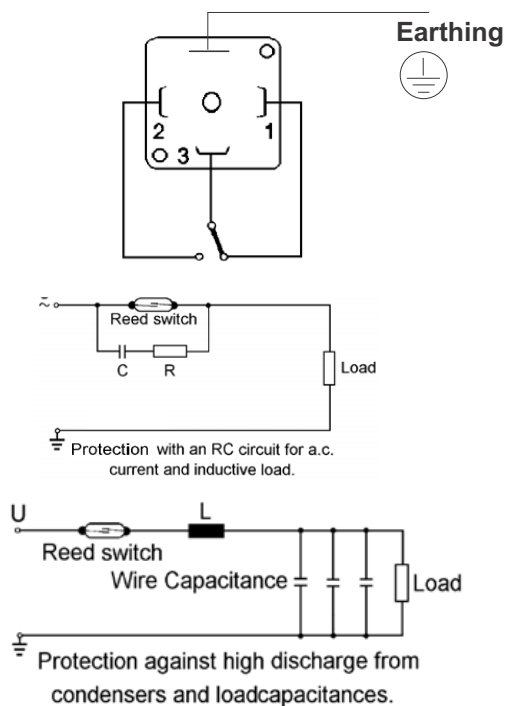
Electrical Installation

Maximum values of current and voltage must not be exceeded on the reed relay.

If driving inductive or capacitive loads, we recommend the use of a suitable isolation relay.

Electrical Connection

Changeover Contact (SPDT)

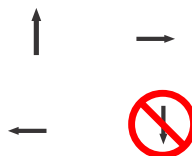


Important For Your Order

For placing order please fulfill following requirements.

- ! System Pressure
- ! Desired Flow Range.
- ! Fluid Temperature.
- ! Fluid Characteristics (Physical & chemical properties)
- ! In case of lub-oils, viscosity must be indicated.

Mounting Instructions



Note: Flow Switch value may differ according to the type of installations .

Ordering Information

BASIC MODEL EXAMPLE : FS - 5SCAD

LINE SIZE		FS -							
2X	1/4"BSP	3X	3/8"BSP	5					
4X	1/2"BSP	5	3/4"BSP						
6	1"BSP								
M.O.C. WETTED PARTS				S					
S	STAINLESS STEEL 316L								
ELECTRICAL CONNECTION TYPE									
C	DIN CONNECTOR				C				
Switch Setting									
A	ADJUSTABLE					A			
REED SWITCH TYPE									
D	SPDT (CHANGE OVER)						D		
LED Indicator									
I	Single LED (RED)							I	
FLOW RATE INDICATION DIAL									D

Authorised Dealer



NK Instruments Pvt. Ltd.

B-501/504, 5th floor, Raunak Arcade, Near THC Hospital, Gokhale Road, Naupada, Thane(W) 400602. Maharashtra INDIA
 E-Mail: sales@nkinstruments.com
 Skype: nitinkelkarskype

Telefax Nos.: 91-22-25301330 / 31 / 32
 Web: http://www.nkinstruments.com
 Gtalk: nkinstruments2006

