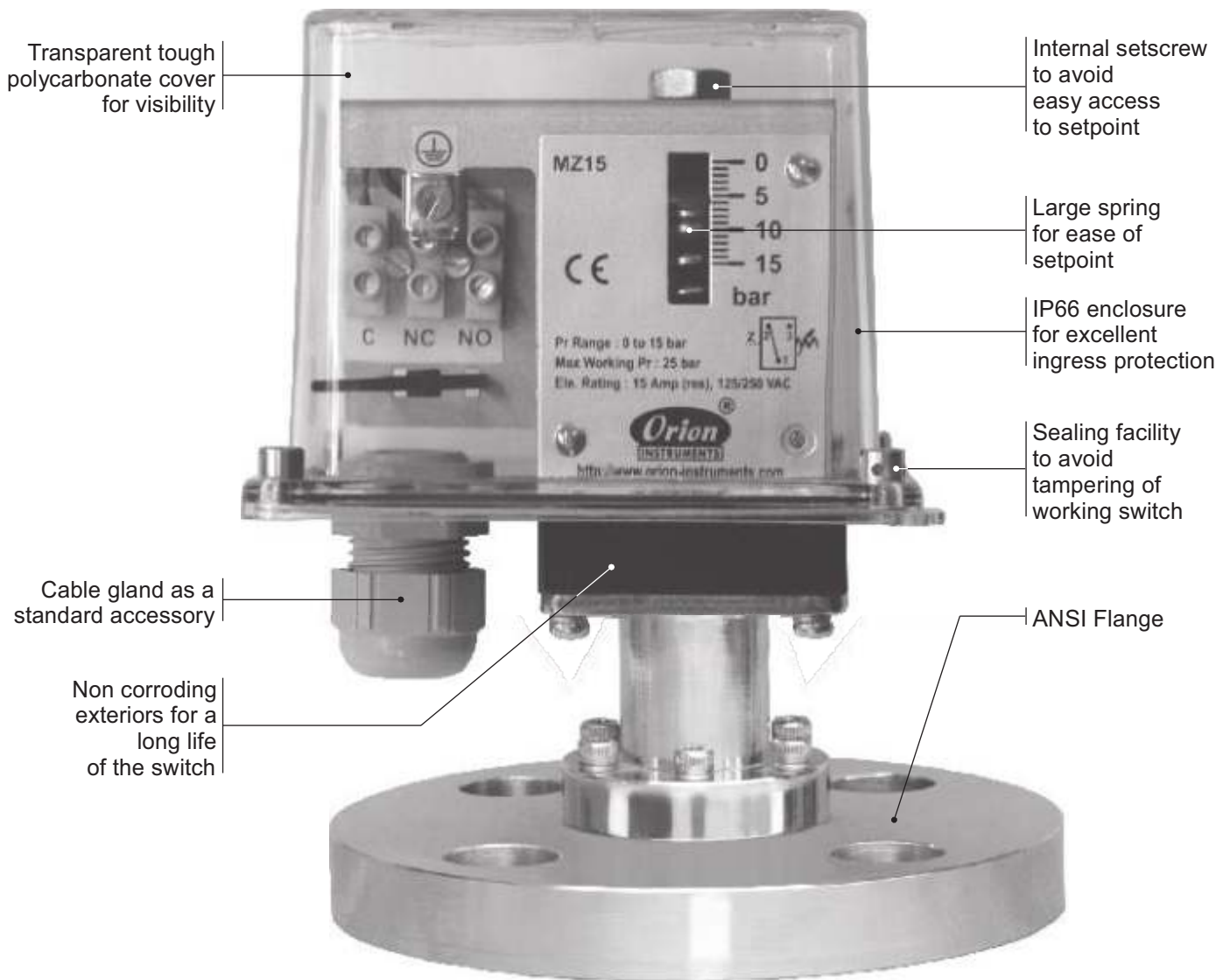


# MZ FLANGED PRESSURE SWITCHES



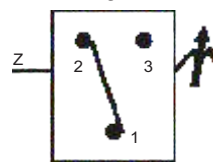
**Approximate Weight :** 0.900 Kg.

**Some Applications :**

In non-hazardous areas for slurry, colloidal solutions, corrosive & non-corrosive working media (unclean working media), etc.

**Electrical Connection :**

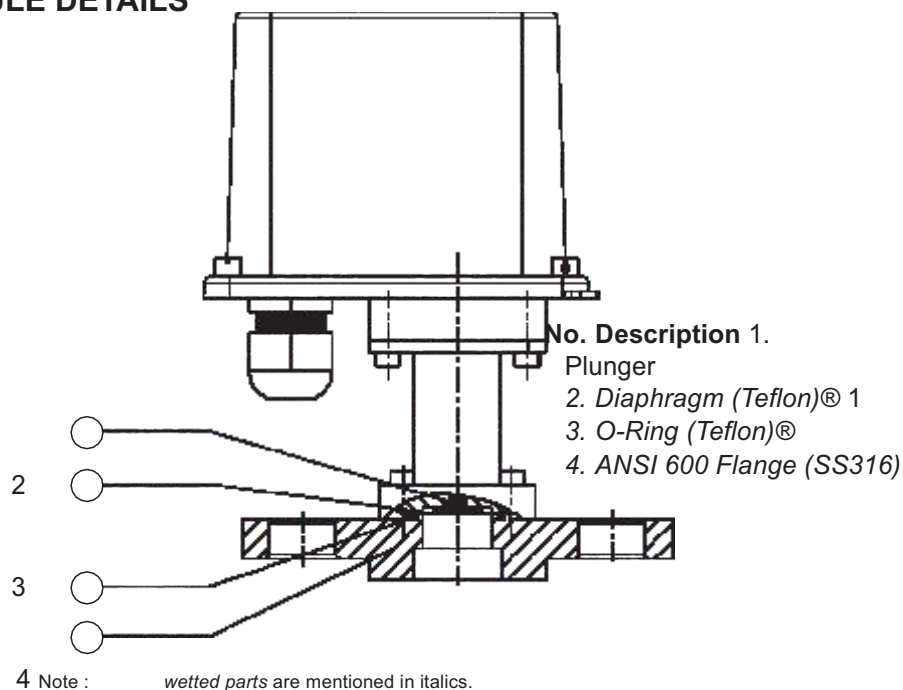
Fig. 2



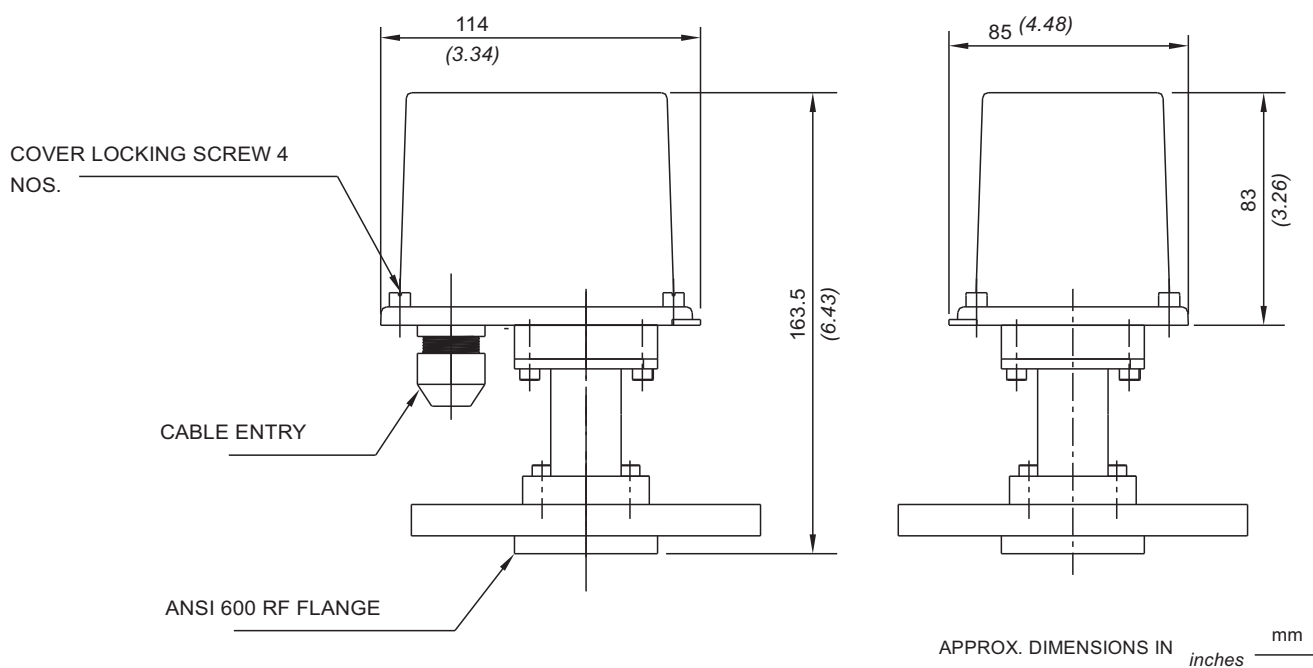
# FLANGED PRESSURE SWITCHES MZ



## PRESSURE CAPSULE DETAILS



## INSTALLATION DRAWING



## RANGE SELECTION TABLE

Range Code	Range bar (psi)	Differential* bar	Maximum Working Pressure bar (psi)
		Approximate Maximum for	
H01	0.1 - 1.0 (1.45 - 14.50)	0.10 (1.45)	As per the class of flange  Please consult Sales Office in case you need clarification on availability of maximum working pressure for a particular range.
H02	0.1 - 1.5 (1.45 - 21.76)	0.12 (1.74)	
H03	0.2 - 2.6 (2.90 - 37.71)	0.17 (2.46)	
H04	0.2 - 3.6 (2.90 - 52.21)	0.20 (2.90)	
H07	0.5 - 7.0 (7.25 - 101.50)	0.40 (5.80)	
H10	0.5 - 10.0 (7.25 - 145.04)	0.40 (5.80)	
H15	1.0 - 15.0 (14.50 - 217.71)	0.80 (11.60)	
H30	5.0 - 25.0 (72.52 - 362.6)	0.80 (11.60)	
H4T	5 - 40 (72.52 - 580.15)	5 (72.52)	
H1H	10 - 100 (145.04 - 1450.38)	12 (174.05)	
H2H	7 - 200 (101.52 - 2900.76)	24 (348.09)	

\* Minimum differential increases with set point (Graphs available on request)

\* Differentials of micro switches A2 through A9 will vary. Differentials for A7 are typically twice that for A1 micro switch. Please indicate specifically the differential value in enquiry/order, when it is critical in your application.

## FLANGE CODE TABLE (Please refer page no. 228 & 229 for more options)

	SS316L		Hastelloy C276		Monel		Titanium		Tantalum	
	RF*	FF*	RF*	FF*	RF*	FF*	RF*	FF*	RF*	FF*
<b>150#</b>										
1" NB	AC	BS	DI	EY	GO	IE	JU	LK	NA	OQ
2" NB	AF	BV	DL	FB	GR	IH	JX	LN	ND	OT
<b>300#</b>										
1" NB	AI	BY	DO	FE	GU	IK	KA	LQ	NG	OW
2" NB	AL	CB	DR	FH	GX	IN	KD	LT	NJ	OZ
<b>2500#</b>										
1" NB	BM	DC	ES	GI	HY	JO	LE	MU	OK	QA
2" NB	BP	DF	EV	GL	IB	JR	LH	MX	ON	QD

## RANGE AVAILABILITY AS PER BORE SIZES

	H01 to H04	H07	H10	H15	H30	H2T to H2H
1" NB	NA	Yes	Yes	Yes	Yes	Yes
2" NB	Yes	Yes	Yes	Yes	Yes	Yes

\*RF = Raised Face  
\*FF = Flat Face

Authorised Dealer



*NK Instruments Pvt. Ltd.*

B-501/504, 5th floor, Raunak Arcade, Near THC Hospital, Gokhale Road, Naupada, Thane(W) 400602. Maharashtra INDIA  
E-Mail: sales@nkinstruments.com  
Skype: nitinkelkarskye

Telefax Nos.: 91-22-25301330 / 31 / 32  
Web: <http://www.nkinstruments.com>  
Gtalk: nkinstruments2006



## HOW TO ORDER PROCESS FLANGED PRESSURE SWITCHES

Group 1	Group 2	Group 3	Group 4	Group 5	Group 6	Group 7	Group 8
Non standard allocation  <input type="checkbox"/> Reserved for non-standard options not covered in catalogue. Will be given by manufacturer, only after agreement of supply details with customer.	<b>MZ</b> = Process pressure switch with tough transparent polycarbonate enclosure to IP66 as per IS2147	<b>3</b> = M20 X 1.5 thread for aluminum housing	<b>AF2</b> = pressure switch, fixed differential with scale in bar <b>AF3</b> = pressure switch, fixed differential with scale in psi *AA2 = pressure switch, adjustable differential with scale in bar *AA3 = pressure switch, fixed differential with scale in psi *Available with A9 (in group 6) only	<b>H01</b> = 0.1 - 1.0 <b>H02</b> = 0.1 - 1.5 <b>H03</b> = 0.2 - 2.6 <b>H04</b> = 0.2 - 3.6 <b>H07</b> = 0.5 - 7.0 <b>H10</b> = 0.5 - 10.0 <b>H15</b> = 1.0 - 15.0 <b>H30</b> = 5.0 - 25.0 <b>H4T</b> = 5 - 40 <b>H1H</b> = 10 - 100 <b>H2H</b> = 7 - 200	<b>A8</b> = General purpose microswitch rated at 5 A; 250 VAC <b>A7</b> = 2SPDT microswitches <b>A9</b> = General purpose microswitch rated @ 5A, 250 VAC  * Please refer note under Range Selection Table	Please select as per Flange Code table  For other classes and sizes please refer page no. 228 & 229	0 = Neoprene 1 = Teflon 2 = SS 316L 3 = Hastelloy C 4 = Monel 400 5 = Titanium 6 = Tan talum
<input type="checkbox"/>	MD	1	AF1	H01	AI	AF	2

eg. A high range Industrial ANSI flanged pressure switch with 1/2" NPT cable entry with fixed differential without scale, having 0.1 bar to 1 bar pressure range, with 15 Amp. microswitch, and 2" 150# RF SS 316 L flange & SS 316 L diaphragm shall be specified by

Please specify full model number to avoid ambiguity.

Continuous efforts for product development may necessitate changes in these details without notice

Authorised Dealer

### NK Instruments Pvt. Ltd.

B-501/504, 5th floor, Raunak Arcade, Near THC Hospital, Gokhale Road, Naupada, Thane(W) 400602. Maharashtra INDIA  
 E-Mail: sales@nkstruments.com  
 Skype: nitinkelkarskype

Telefax Nos.: 91-22-25301330 / 31 / 32

Web: <http://www.nkstruments.com>

Gtalk: nkstruments2006