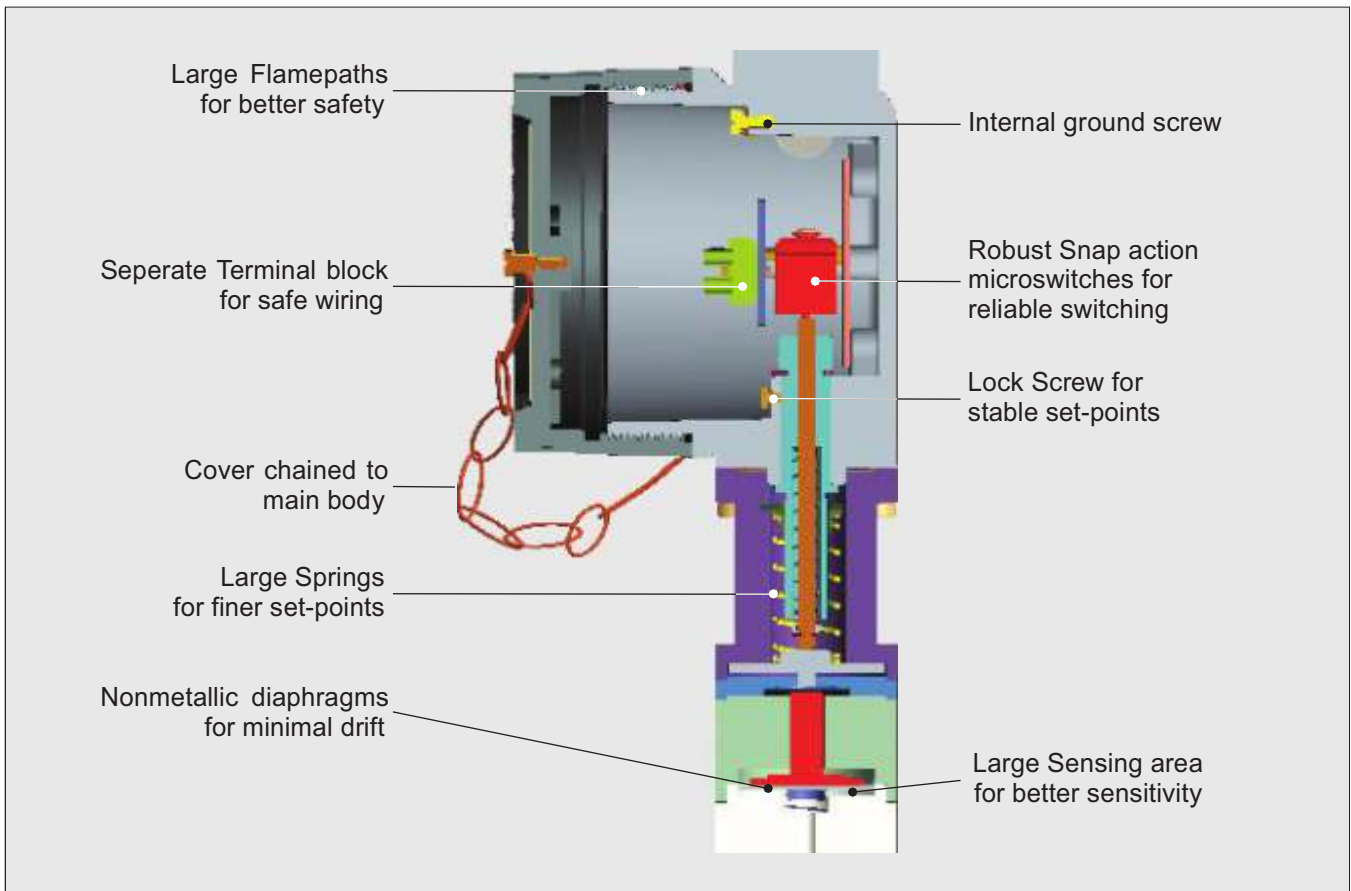


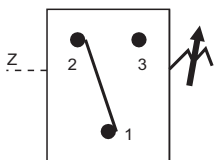
FC VACUUM SWITCHES



Approximate Weight :

Vacuum switches with Aluminium enclosure : 2.03 Kg.
Vacuum switches with Grey CI enclosure : 4.43 Kg.
Vacuum switches with SS enclosure : 4.56 Kg.

Electrical Connection :

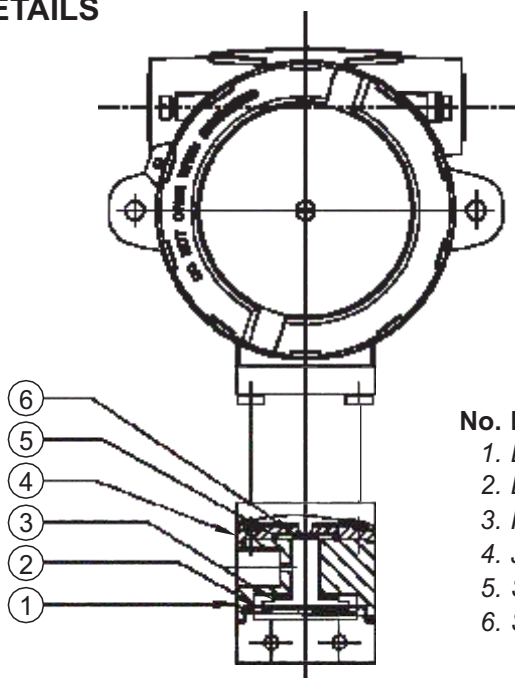


Some Applications :

Used in filters, vacuum pumps, blower systems, etc.



PRESSURE CAPSULE DETAILS

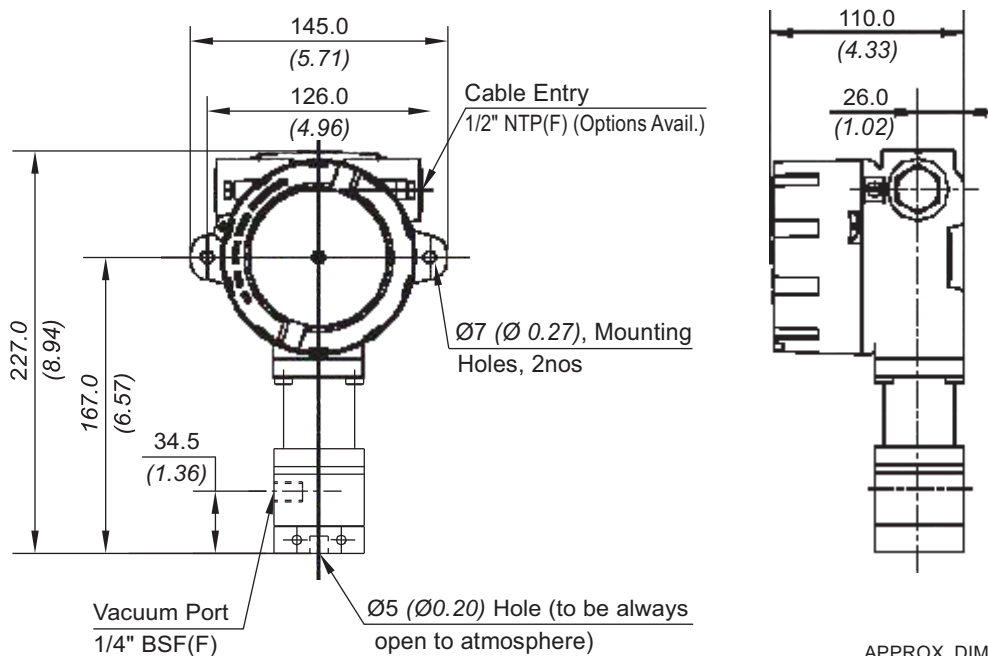


No. Description

1. *Disc*
2. *Diaphragm*
3. *Plunger (SS316)*
4. *Junction Plate*
5. *Sealing O-Ring (Teflon®)*
6. *Sealing diaphragms (Teflon®)*

Note : *wetted parts* are mentioned in italics.

INSTALLATION DRAWING



APPROX. DIMENSIONS IN $\frac{\text{mm}}{\text{inches}}$

FC VACUUM SWITCHES

RANGE SELECTION TABLE

Range Code	Range mm Hg ("Hg)	Differential* mm Hg ("Hg)	Maximum Working Pressure bar (psi)
		Approximate Maximum for "A1" microswitch	
V00	† 760 - 100 (29.92 - 3.94)	10 (0.39)	12 (174.05)

*Minimum differential increases with set point (Graphs available on request)

† Typical values achieved at sea level, total vacuum that can be achieved varies mainly with altitude.

*Please indicate specifically the differential value in enquiry/order, when it is critical in your application.

Authorised Dealer



NK Instruments Pvt. Ltd.

B-501/504, 5th floor, Raunak Arcade, Near THC Hospital, Gokhale Road, Naupada,
Thane(W) 400602. Maharashtra INDIA Telefax Nos.: 91-22-25301330 / 31 / 32
E-Mail: sales@nkinstruments.com Web: <http://www.nkinstruments.com>
Skype: nitinkelkarskype Gtalk: nkinstruments2006



HOW TO ORDER FLAMEPROOF VACUUM RANGE SWITCHES

VACUUM SWITCHES



Group 1	Group 2	Group 3	Group 4	Group 5	Group 6	Group 7	Group 8
Non standard allocation	Gas Group Classification	Cable Entry Size	Switch Type	Range Code (values in mmHg)	Microswitch Type	Pressure Port Material / Size	Diaphragm
<input type="checkbox"/> Reserved for non-standard options not covered in catalogue. Will be given by manufacturer, only after agreement of supply details with customer.	FC = Flameproof pressure switch, ATEX & IECEx approved, with Aluminium head as per IS/IEC 60079-1 for Gas Gr. IIC	1 = Al. head 1/2" NPT threads 2 = Al. head 3/4" NPT threads 3 = Al. head M20 x 1.5 threads 4 = Grey CI head 1/2" NPT threads 5 = Grey CI head 3/4" NPT threads 6 = Grey CI head M20 x 1.5 threads 7 = SS head 1/2" NPT threads 8 = SS head 3/4" NPT threads 9 = SS head M20 x 1.5 threads	V1 = vacuum switch, fixed differential without scale	V00 = († 760 - 100)	A1 = General purpose microswitch rated at 15A; 250 VAC A2 = Hermetically sealed for corrosive environments A3 = gold plated contacts for low voltage applications A4 = DPDT configuration A5 = for high DC ratings A6 = elements with adjustable deadband A7 = 2SPDT switching elements A9 = General purpose microswitch rated at 5A; 250 VAC Please refer page no. 230 for more microswitch options * Please refer note under Range Selection Table	S1 = SS316 / 1/4" BSP(F) S2 = SS316 / 1/4" NPT(F) Please refer page no. 226 & 227 for more pressure port options	0 = Neoprene 1 = Teflon For additional wetted parts please refer Pressure Capsule Details on Page 67
<input type="checkbox"/>	FC	1	V1	V00	A1	S1	0

eg. A flameproof switch for gas group IIC, with 1/2" NPT cable entry in aluminium housing as 1SPDT vacuum switch, having 760 mm Hg to 100 mm Hg vacuum range, with 15Amp. microswitch, SS316 pressure housing with 1/4" BSP port size & neoprene diaphragm shall be specified by

Please specify full model number to avoid ambiguity. If only the first two groups are specified while ordering, uncalibrated switches with standard wetted parts and enclosures will be supplied.

Continuous efforts for product development may necessitate changes in these details without notice

Authorised Dealer



NK Instruments Pvt. Ltd.

B-501/504, 5th floor, Raunak Arcade, Near THC Hospital, Gokhale Road, Naupada, Thane(W) 400602. Maharashtra INDIA
 E-Mail: sales@nkinstruments.com
 Skype: nitinkelkarskype

Telefax Nos.: 91-22-25301330 / 31 / 32
 Web: http://www.nkinstruments.com
 Gtalk: nkinstruments2006

