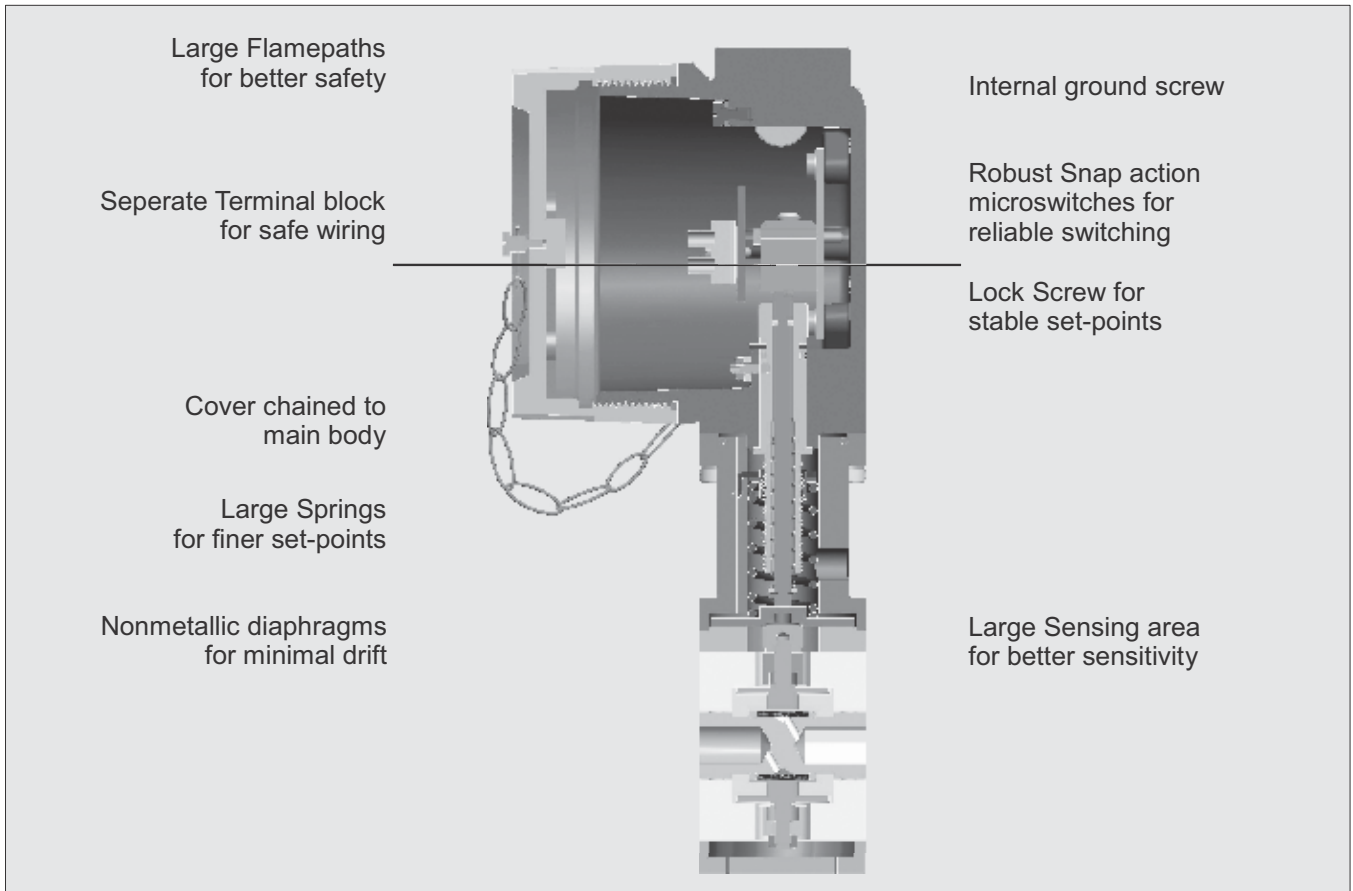


FC HIGH RANGE DP



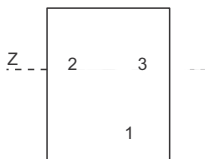
Approximate Weight :

Pressure difference switches with Aluminium enclosure : 2.70 Kg.

Pressure difference switches with Grey CI enclosure : 5.10 Kg.

Pressure difference switches with SS enclosure : 5.25 Kg.

Electrical Connection :



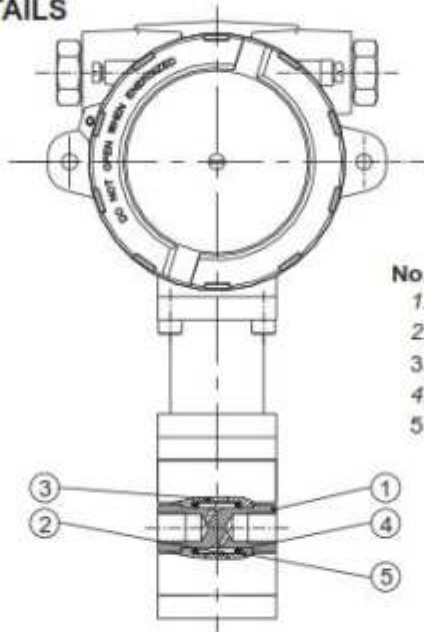
Some Applications :

Applications requiring high static/system pressure but low pressure difference

FC HIGH RANGE DP



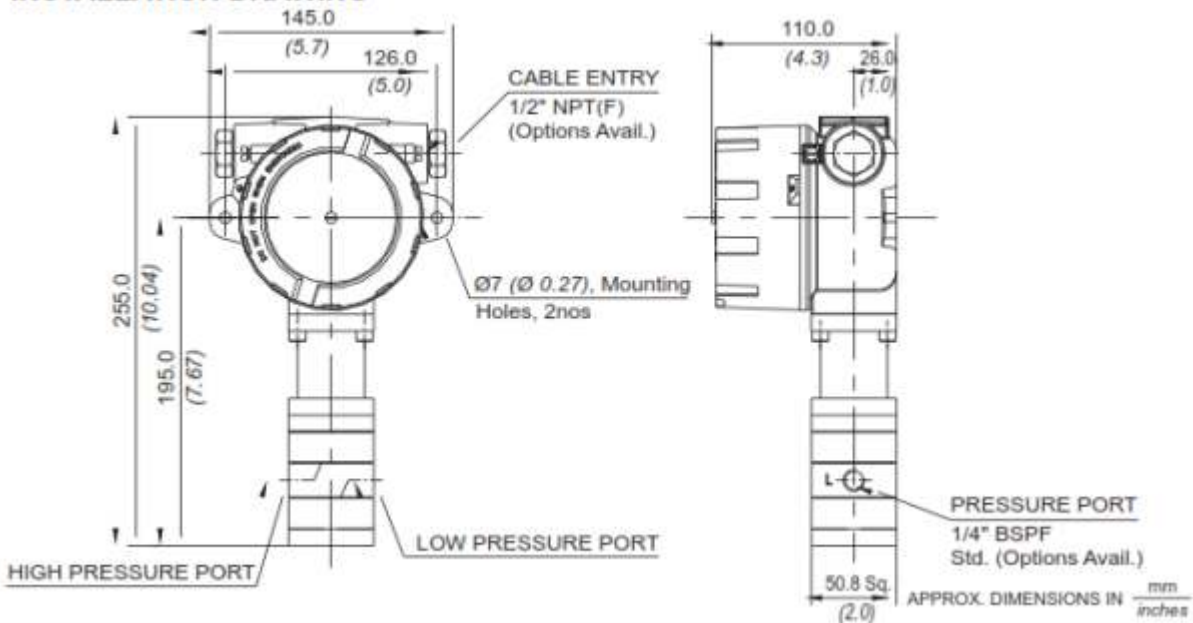
PRESSURE CAPSULE DETAILS



- No. Description**
1. Pressure Housing
 2. Diaphragm
 3. Plunger
 4. O-Ring
 5. Disc

Note : welded parts are mentioned in italics.

INSTALLATION DRAWING



FC HIGH RANGE DP

RANGE SELECTION TABLE

Range Code	Range bar (psi)	Differential* bar (psi)	Maximum Working Pressure bar (psi)
		Approximate Maximum for "A1" microswitch	
D01	0.1 - 1.0 (1.45 - 14.50)	0.10 (1.45)	70 (1015.26)
D02	0.1 - 1.5 (1.45 - 21.76)	0.12 (1.74)	70 (1015.26)
D03	0.2 - 2.6 (2.90 - 37.71)	0.17 (2.46)	70 (1015.26)
D04	0.2 - 3.6 (2.90 - 52.21)	0.10 (1.45)	70 (1015.26)
D07	0.5 - 7.0 (7.25 - 101.50)	0.20 (2.9)	70 (1015.26)
D10	0.5 - 10.0 (7.25 - 145.037)	0.20 (2.9)	70 (1015.26)
D15	1.0 - 15.0 (14.50 - 217.56)	0.50 (7.25)	70 (1015.26)
D30	5.0 - 25.0 (72.52 - 362.59)	0.50 (7.25)	70 (1015.26)

*Minimum differential increases with set point, values with neoprene diaphragm (Graphs available on request)

* Differentials of micro switches A2 through A9 will vary. Differentials for A7 are typically twice that for A1 micro switch. Please indicate specifically the differential value in enquiry/order, when it is critical in your application.

Authorised Dealer



NK Instruments Pvt. Ltd.

B-501/504, 5th floor, Raunak Arcade, Near THC Hospital, Gokhale Road, Naupada,
Thane(W) 400602. Maharashtra INDIA Telefax Nos.: 91-22-25301330 / 31 / 32
E-Mail: sales@nkstruments.com Web: <http://www.nkstruments.com>
Skype: nitinkelkarskype Gtalk: nkstruments2006



HOW TO ORDER FLAMEPROOF HIGH RANGE DP SWITCHES

Group 1	Group 2	Group 3	Group 4	Group 5	Group 6	Group 7	Group 8
Non standard allocation	Gas Group Classification	Cable Entry Size	Switch Type	Range Code (values in bar)	Microswitch Type	Pressure Port Material / Size	Diaphragm
<input type="checkbox"/> Reserved for non-standard options not covered in catalogue. Will be given by manufacturer, only after agreement of supply details with customer.	FC = Flameproof pressure switch, ATEX & IECEx approved, with Aluminium head as per IS/IEC 60079-1 for Gas Gr. IIC	1 = Al. head ½" NPT threads 2 = Al. head ¾" NPT threads 3 = Al. head M20 x 1.5 threads 4 = Grey CI head ½" NPT threads 5 = Grey CI head ¾" NPT threads 6 = Grey CI head M20 x 1.5 threads 7 = SS head ½" NPT threads 8 = SS head ¾" NPT threads 9 = SS head M20 x 1.5 threads	D1 = pressure difference switch, fixed differential without scale D2 = pressure difference switch, fixed differential with scale in bar D3 = pressure difference switch, fixed differential with scale in psi	D01 = (0.1 - 1.0) D02 = (0.1 - 1.5) D03 = (0.2 - 2.6) D04 = (0.2 - 3.6) D07 = (0.5 - 7.0) D10 = (0.5 - 10.0) D15 = (1.0 - 15.0) D30 = (5.0 - 25.0)	A1 = General purpose microswitch rated at 15 A; 250 VAC *A2 = Hermetically sealed for corrosive environments *A3 = gold plated contacts for low voltage applications *A4 = DPDT configuration *A5 = for high DC ratings *A6 = elements with adjustable deadband *A7 = 2SPDT switching elements *A9 = General purpose microswitch rated at 5 A; 250 VAC Please refer page no. 230 for more microswitch options * Please refer note under Range Selection Table	S1 = SS316 / ¼" BSP(F) S2 = SS316 / ¼" NPT(F) N1 = Monel / ¼" BSP(F) N2 = Monel / ¼" NPT(F) I1 = Inconel / ¼" BSP(F) I2 = Inconel / ¼" NPT(F) Please refer page no. 226 & 227 for more pressure port options	0 = Neoprene 1 = Teflon 2 = SS316L 4 = Monel 7 = Inconel
						For additional please refer Pressure Details of wetted parts Pressure Capsule n Page 55	

eg. A flameproof switch for gas group IIC, with ½" NPT cable entry in aluminium housing as 1SPDT pressure difference switch, having 0.1 bar to 1 bar pressure range, with 15Amp. microswitch, SS316 pressure housing with ¼" BSP port size & neoprene diaphragm shall be specified by

Group 1	Group 2	Group 3	Group 4	Group 5	Group 6	Group 7	Group 8
<input type="checkbox"/>	FC	1	D1	D01	A1	S1	0

Please specify full model number to avoid ambiguity. If only the first two groups are specified while ordering, un-calibrated switches with standard wetted parts and enclosures will be supplied.

Continuous efforts for product development may necessitate changes in these details without notice

Authorised Dealer

	<h2>NK Instruments Pvt. Ltd.</h2> <p>B-501/504, 5th floor, Raunak Arcade, Near THC Hospital, Gokhale Road, Naupada, Thane(W) 400602. Maharashtra INDIA E-Mail: sales@nkinstruments.com Skype: nitinkelkarskype</p>	
<p>Telefax Nos.: 91-22-25301330 / 31 / 32 Web: http://www.nkinstruments.com Gtalk: nkinstruments2006</p>		

HIGH RANGE DP FC