

SALIENT FEATURES

- Indication through LED
- Input selectable as linear/square root/10 Point linearisation table
- Normal mode for operation
- Averaging of inputs for turbulent flow
- Programmable low flow cut-off
- Software calibration



DESCRIPTION

Electronet series **FL-700** are micro-controller based Flow Indicator Totaliser designed for various industrial applications. These can be used for indication & totalisation of flow. The input can be processed linearly or square rooted or with 10 point linearisation table in case of non-linear flow as per requirement. The built-in battery backup is provided for the memory to avoid loss of data incase of power failure. The micro-controller based design provides full flexibility for flow metering applications.

TECHNICAL SPECIFICATIONS

Operating Modes	:	Normal/Batch
Input	:	Linear/Square Rooted/10 Point Linearisation Table 1) Current (4-20 mA) 2) Voltage (1-5 V/0-5 V) 3) Frequency (0-10 kHz)
Display	:	8x2 LED consists of 5 digit 0.3" LED for Flow Rate Indication & 8 digit 0.3 LED for Totalised Flow
Range	:	Programmable (0 to 99999)
Accuracy	:	Better than $\pm 0.25\%$ of F. S.
Open Sensor Indication	:	Provided
Power Supply	:	1) 24 V DC 2) 90-250 V AC, 50 Hz
Power Consumption	:	Less than 10 VA
Temperature Drift	:	< 0.01% of F. S. per °C change
Response Time	:	< 100 ms
Isolation	:	1.4 KV between Input, Output & Power Supply
Enclosure	:	1) DIN Std 2) Weather-proof, IP-65
Dimensions	:	1) 144 (H) x 72 (W) x 250 (D) in mm approx. for DIN std. enclosure 2) 96 (H) x 96 (W) x 250 (D) in mm approx. for DIN std. enclosure
Mounting	:	Flush of the Panel for DIN std. enclosure & wall mounting suitable for WP enclosure
Weight	:	2 kg (Approx.)
Operating Conditions	:	Temperature 0 to 55 °C/Humidity 5 to 95% non condensing

OPTIONAL

Transmitter Supply	:	24 V DC, 30 mA
Retransmission Output	:	4-20 mA / 0-5 V, Isolated
Alarm Output	:	Potential free Relay Contact-2 nos. (1 c/o, 1 Amp. @ 230 V AC) Configurable for High, Low & Batch
Communication Port	:	RS 485 / RS 232 supporting MODBUS RTU protocol

DIMENSIONAL DETAILS

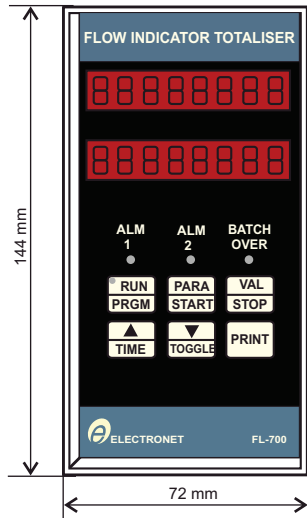


Fig.1 Front View

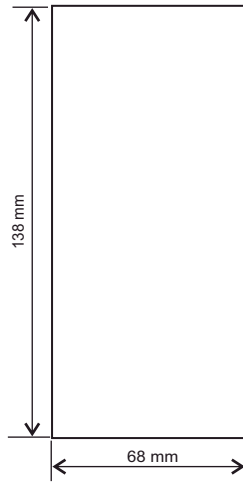


Fig.2 Cutout View

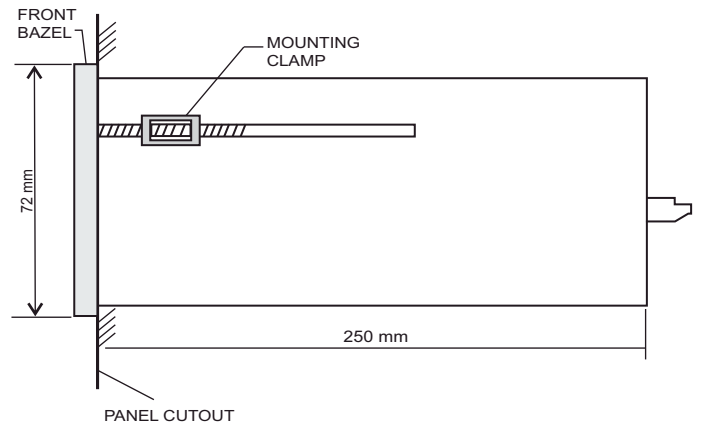


Fig.3 Top View

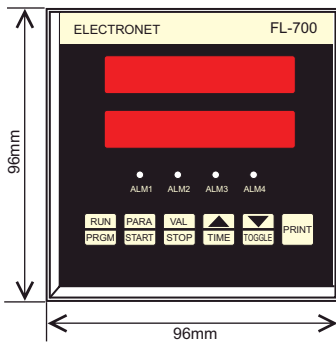


Fig.4 Front View

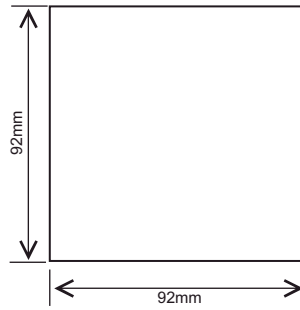


Fig.5 Cutout View

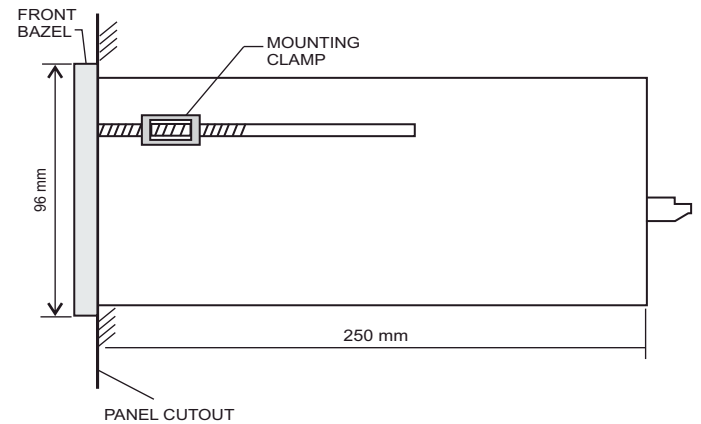


Fig.6 Side View

ORDERING INFORMATION

								09	None								
								04	All								
								03	0-10KHz	09	None	03	Batch	09	None	09	None
	02	Weather-proof	02	72 X 144	02	0-5V/1-5V	02	0-5V	02	Alarm 2	02	Other	02	RS 232	02	230V AC	
	01	DIN Standard	01	96 X 96	01	4-20mA	01	4-20mA	01	Alarm 1	01	24V DC 30mA	01	RS 485	01	24V DC	
SERIES	Enclosure	Bezel Size	Input	Ret. Output	Alarm	Transmitter Supply	Communication Port	Power Supply									
FL-700	A	01	B	01	C	01	D	01	E	01	F	01	G	02	H	02	

*Due to our continuous product revisions, Design, Specifications and Model Number are subject to change without notice.
*Accuracy defined at lab conditions.

Authorized Dealer

NK Instruments Pvt Ltd

501-504, Raunak Arcade, Near THC Hospital, Gokhale Road,
Thane - W 400602, Maharashtra, India. Contact: 91-22-25301330/31/3
Email : sales@nkstruments.com Website: www.nkstruments.com