



THERMOWELLS



NK Instruments Pvt. Ltd. Has Welded & Barstock type Thermowells in various materials which includes 304, 316, Hastelloy C, Carbon Steel, Chrome Molybdenum etc.

These thermowells are available with Threaded, Socket Weld and Flange type process connections. are available in several different physical configurations, a variety of materials, choice of bore sizes, and various

Thermowell is a pressure-tight receptacle that protects and extends the life of a temperature sensor, where the sensor is not mechanically or chemically compatible with the process environment. produce high strength also tend to reduce the temperature sensor's accuracy and speed of response. A properly selected thermowell will balance accuracy & sensitivity factors and will provide satisfying results.

Various type of Thermowells are listed below :

- Welded Threaded Thermowells
- Welded Straight-Shank Threaded Thermowells
- Welded Straight-Shank Socket-Weld Thermowells
- Welded Reduced-Tip, Socket-Weld Thermowells
- Bar Stock Sanitary, Weld-In Thermowells
- Bar Stock, Flanged Thermowells
- Bar Stock Van Stone Thermowells
- Bar Stock Reduced-Tip Van Stone Thermowells
- Bar Stock Sanitary-Connected Thermowells

- Bar Stock Threaded Thermowells
- Bar Stock Compact Thermowells
- Bar Stock Socket-Weld Thermowells
- Welded Weld-In Thermowells
- Welded Standard, Flanged Thermowells
- Bar Stock Reduced-Tip, Flanged Thermowells
- Bar Stock Straight Van Stone Thermowells
- Van Stone thermowells
- Bar Stock Sanitary Weld-In Thermowells

CONTACT DETAILS

B-501/504, 5th floor, Raunak Arcade, Near THC Hospital, Gokhale Road, Naupada, Thane(w) 400602. Maharashtra INDIA
● Telefax Nos.: 91-22-25301330 / 31 / 32 ● Skype: nitinkelkarskype ● Gtalk: nkstruments2006

E-Mail: sales@nkstruments.com

Web: www.nkstruments.com

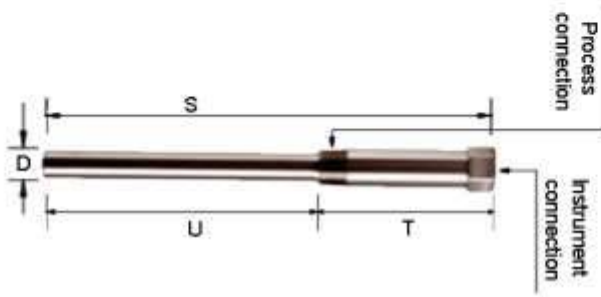


NK Instruments Pvt. Ltd.



Process Control Instruments for Indication and Control of:

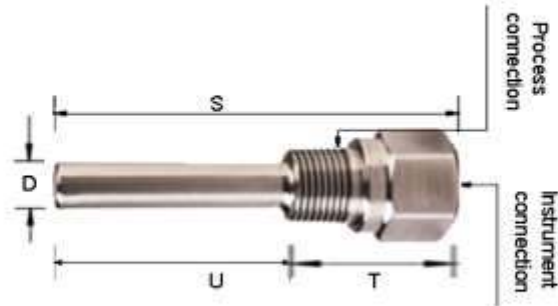
PRESSURE	VACCUM	DP	FLOW	VELOCITY	LEVEL	TEMPERATURE	CONDUCTIVITY	pH	VIBRATION
----------	--------	----	------	----------	-------	-------------	--------------	----	-----------



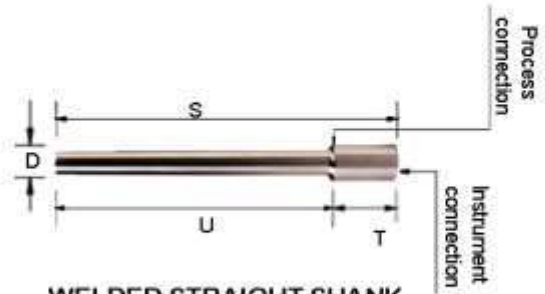
**BAR STOCK STRAIGHT SHANK
THREADED THERMOWELL**



**BAR STOCK COMPACT
THREADED THERMOWELL**



**WELDED STRAIGHT SHANK
THREADED THERMOWELL**



**WELDED STRAIGHT SHANK
SOCKET WELD THERMOWELL**

CONTACT DETAILS

B-501/504, 5th floor, Raunak Arcade, Near THC Hospital, Gokhale Road, Naupada, Thane(w) 400602. Maharashtra INDIA
● Telefax Nos.: 91-22-25301330 / 31 / 32 ● Skype: nitinkelkarskype ● Gtalk: nkstruments2006

E-Mail: sales@nkstruments.com

Web: www.nkstruments.com



NK Instruments Pvt. Ltd.

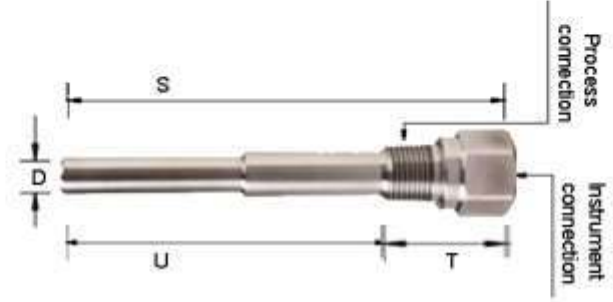


Process Control Instruments for Indication and Control of:

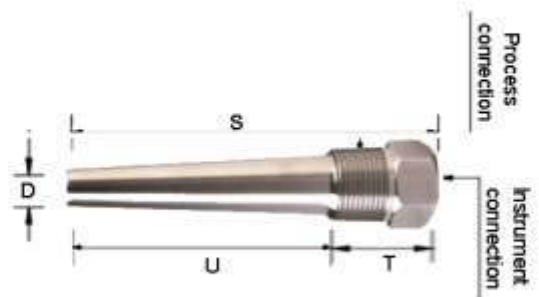
PRESSURE	VACCUUM	DP	FLOW	VELOCITY	LEVEL	TEMPERATURE	CONDUCTIVITY	pH	VIBRATION
----------	---------	----	------	----------	-------	-------------	--------------	----	-----------



BAR STOCK THREADED END WITH LAG THERMOWELL



WELDED THREADED END THERMOWELL



BAR STOCK SHANK THREADED THERMOWELL



WELDED SHANK THREADED WITH LAG THERMOWELL

CONTACT DETAILS

B-501/504, 5th floor, Raunak Arcade, Near THC Hospital, Gokhale Road, Naupada, Thane(w) 400602. Maharashtra INDIA
● Telefax Nos.: 91-22-25301330 / 31 / 32 ● Skype: nitinkelkarskype ● Gtalk: nkinstruments2006

E-Mail: sales@nkinstruments.com

Web: www.nkinstruments.com