



# Series 6622 : Fuel Consumption Monitor

For Cummins Engines / Gensets with PT Fuel System  
Models NT / NTA / KT / KTA / VTA / KV



## Specifications

<b>Flow Range</b>	: 12 - 500 LPH
<b>Accuracy</b>	: ± 0.5% of reading
<b>Service</b>	: HSD / LDO
<b>Operating Temperature</b>	: 0 - 70° C
<b>Display</b>	: 8 digit dot matrix LCD Fuel Totaliser : 999999.9 ltrs. Engine Run Time : 9999.99 Hrs.
<b>Filter Element</b>	: 25 micron Replaceable
<b>Power Supply</b>	: 12V DC from cranking battery
<b>Mounting</b>	: MS fabricated frame for ground mounting of unit
<b>Pressure Drop</b>	: <1" of Hg at 500 LPH on Diesel Service
<b>Engine Run Time Switch</b>	: Mounting : On Oil Gallery

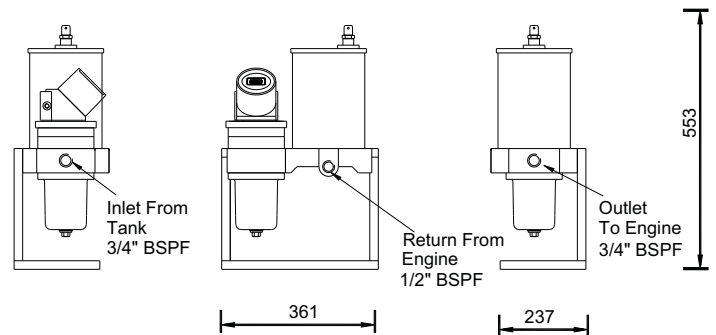
## Introduction

The Fuel Consumption Monitor is compact fuel flow measuring system specially designed to suit Cummins Engines with PT Fuel System for monitoring the net fuel consumption of stationary equipment like engines, gensets, pumpsets, compressors etc. After accounting for the return fuel from the engine. The unit is provided with a 24V DC powered Flow Indicator which ensures accuracy with a variety of fuels under all operating conditions.

## Design Features

- Accuracy guaranteed over 12-500 LPH flow range
- Measures net fuel consumption
- Ensures return fuel deaeration for Cummins PT system
- HSD, LDO compatible
- Gravity head not required for operation
- 24VDC powered
- Built in filter Built in reusable filter

## Dimensions



## Installation

