



Series 6740 : Oil Dispensing Machines

For The Shock Absorber Manufacturing Industry.



Front Fork Filling Machine
One Single Oil
Dual Channel



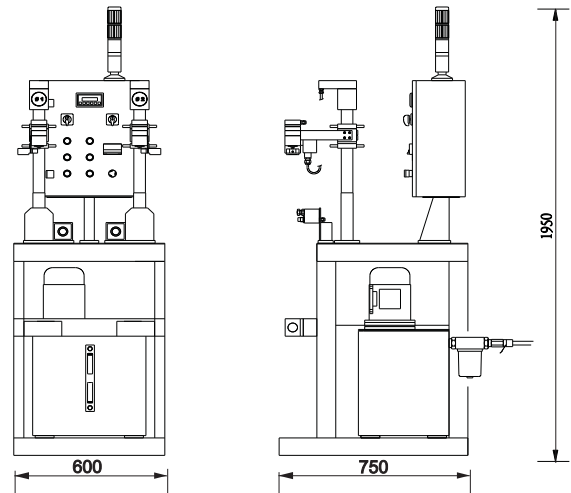
Shock Tube Filling Machine
Two Different Oils
Dual Channel

Specifications

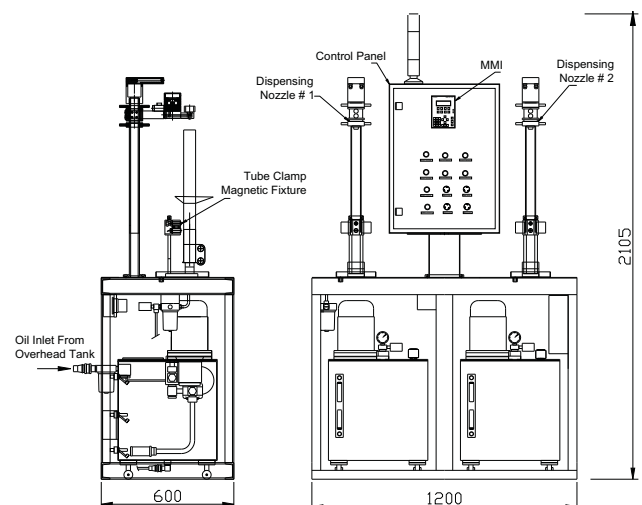
Dispensing Flowrate	: 2000 ml/min. / 4000 ml/min
Quantity Setting Range	: 5 - 500 ml
Least Count	: 1.0 ml / 2.0 ml
Accuracy	: ± 1.0 ml / ± 2.0 ml per batch
Cp/Cpk	: ≥ 1.66
Oil Storage Tank	: Built in, 100 Litre capacity
Filtration	: 25 micron built in
Preprogrammed Batches	: Up to 100 possible
Display Parameters	: *Set quantity with model identity *Delivered quantity with auto zero *Number of tubes filled *Total litres of oil filled
Floor Space Required	: 600 mm X 600 mm
Power Supply	: 3 Phase 415V AC, +/-10%, 50 Hz
Pneumatic Supply	: 4 Kg/cm with Instrument air
Diagnostic Alarms	: *Hi / Lo Oil pressure *Lo Oil level *Lo Air pressure *No Oil filled in tube

Dimensions

Front Fork Filling Machine



Shock Tube Filling Machine



Introduction

Oil filling in shock absorber tubes and front fork typically requires a filling accuracy of ± 1.0 ml for precise control of the shock performance. Fluidyne Oil Dispensing System apart from providing a long term guaranteed accuracy of ± 1.0 ml also provide a Process Capability Cp/Cpk ≥ 1.66 , a concept introduced for the first time in the industry. The system provides a very high rate of production coupled with split second flexibility of changing the set quantity which is a big advantage over conventional filling techniques. The substantial degree of automation used provides a manless oil filling station on the assembly line.

Features

- 5.0 - 250 ml batch filling ideally suits shock and fork filling.
- Filling accuracy ± 1.0 ml for any batch size with Cp/Cpk ≥ 1.66 .
- Filling rate of 2000 ml / minute guarantees a high production rate
- Quickly adjustable filling nozzle height to suit tube and fork length
- Zero drip dispensing nozzle for clean shop floor environment
- PLC control with MMI allows finger-tip batch selection and settings
- Built in 25 micron oil filtration before filling
- Dual fork assembly filling option for improved productivity.
- 4000 ml / min filling rate optional for ± 2 ml resolution.