

# Series 6625 : Genset Efficiency Monitoring System

For Diesel /LDO Powered Gensets- 50-1500 KVA Capacity LT Systems



## Specifications

- Accuracy**
  - Flow Measurement :  $\pm 0.5\%$  of reading
  - Energy Measurement :  $\pm 1.0\%$  of reading
- Display**
  - Efficiency : 9.99 Unit/Litres.
  - Load : 9999 kw.
  - Fuel Rate : 999 LPH
  - Units Totaliser : 9999999.9 KWH
  - Fuel Totaliser : 9999999.9 litres.
  - Hrs. Totaliser : 999999.99 hrs.
  - Real Time : DD/MM/YY Date.
  - HH/MM/SS Time.
- Inputs**
  - : Fuel Flow Signal from Fuel Monitor.
  - : CT/PT Input from Genset Panel.
  - : Genset ON/OFF Signal from Engine
  - : ON/OFF Transducer.
- Communication**
  - : RS485 Communication link to PC.
  - : RS485-RS232 Converter for link to PC COM port.
- PC Report**
  - : Genset Daily Log Report in Excel format.
- Power supply**
  - : AC 230v 50Hz mains supply.

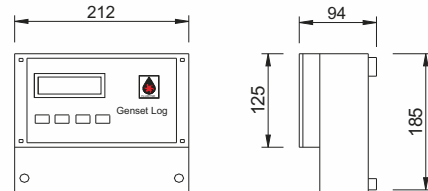
## Introduction

The Series 6625 : Genset Efficiency Monitor is a state of the art microcontroller based measurement concept which combines genset fuel consumption and power output measurement in one single compact instrument. Apart from displaying the live on line genset efficiency in Units/Litre, it provides logged data transmission on a RS485 link to a remote PC, completely automating genset efficiency monitoring, a most vital need in power house management.

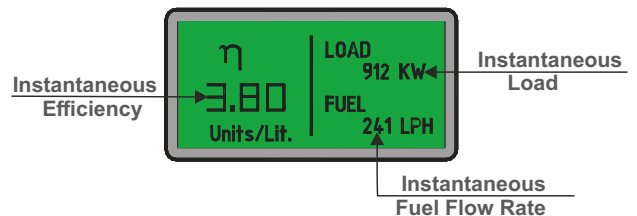
## Features

- Directly interfaces with Fluidyne 'Genset Fuel Monitor' for Fuel Measurement.
- Measures net fuel consumption for 50-1500 KVA Gensets.
- Built in Energy Transducer for energy measurement.
- Displays dynamic on line efficiency in Units/Litre for each Litre consumed..
- Directly interfaces with Engine ON/OFF Transducer for Run Hrs Logging.
- Displays resetable & cumulative totaliser for Units, Liters & Engine Run Hrs.
- Built in Real time clock for data logging on 24 hr basis for all parameters.
- Logged data transmission to remote PC on RS485 communication link.
- Software utility for PC provided to view logged data in Excel format.
- Provision for daisy chaining sixteen monitors to one single PC.

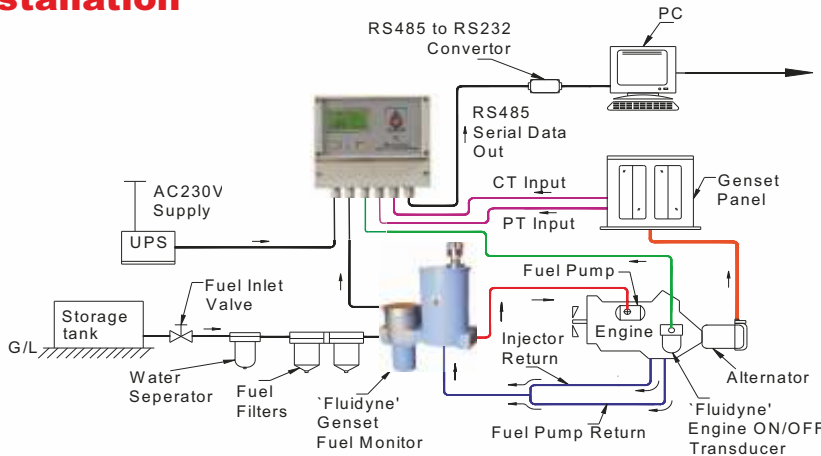
## Dimensions



## Default Display



## Installation



## Daily Log Report

Genset Daily Log

Date : 23-Aug-05  
Genset : KTA1150G-1  
User : CDSS PUNE

Log Date	Avg Load KW	Max Load KW	Energy KWH	Fuel Liters	Efficiency KWH/Ltr.	Run Time Hr.
22/7/2005	180.34	325.34	239.30	71.57	3.34	1.33
23/7/2005	118.70	160.91	115.53	39.01	2.96	0.97
24/7/2005	212.35	330.44	213.18	62.85	3.39	1.00
25/7/2005	194.34	319.97	297.40	89.64	3.32	1.53
26/7/2005	300.09	372.83	1765.0	515.67	3.48	5.98