



Series 6760 : Diesel Dispenser

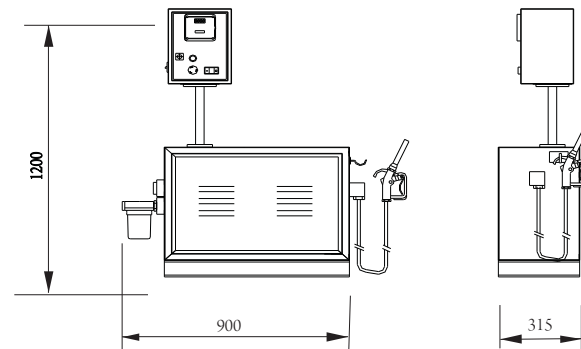
For Refueling Industrial Vehicles / Forklifts / Cranes



Specifications

Flow Capacity	: 0 - 25 LPM
Accuracy	: ± 0.5% of reading
Supply Voltage	: AC 440V 3 Phase 50 Hz
Batch Display	: a) Reset Batch - 999.99 liters
Display	: 12 mm Height LCD
	b) Cumulative Totaliser - 9999999 liters
	8 mm Height LCD
	c) Power Supply - Built in Lithium Battery
	5 year life
Filter Mesh	: 100 micron SS Mesh Reusable
Hose	: 3/4" Size Auto Switch Off Type
Nozzle	: R3 Grade Rubber Hose , 5 Meter Long
Pump	: Gear Pump Unit, 1 HP Motor

Dimensions



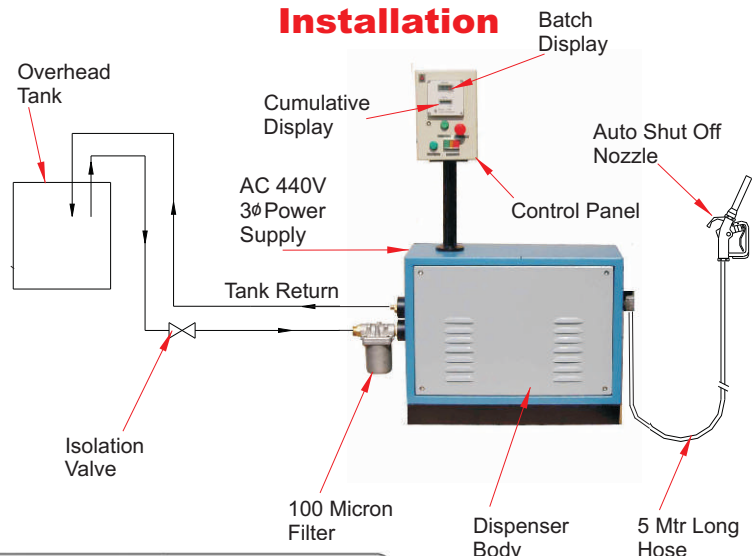
Introduction

The Fluidyne Series 6760 : Diesel Dispenser is a compact and economical diesel dispensing solution for company owned cars, buses, forklifts and cranes in industrial premises. Tamper proof operation and optional direct interface with stores PC makes for a very attractive solution for controlling pilferage and consumption of diesel.

Features

- High capacity gear pump
- High accuracy P. D. Flowmeter for measurement.
- Built in large capacity filter.
- Auto shut off nozzle for tank topping up.
- Pad locking facility for nozzle.
- Resettable Batch and Cumulative Totaliser.
- Self Powered Display.
- Rugged construction to suit harsh environments.
- RS485 Serial Com output optional.

Installation



NK Instruments Pvt. Ltd.

B-501/504, 5th floor, Raunak Arcade, Near THC Hospital, Gokhale Road, Naupada, Thane(W) 400602. Maharashtra INDIA
 E-Mail: sales@nkstruments.com
 Skype: nitin@nkstruments.com
 Telefax Nos.: 91-22-25301330 / 31 / 32
 Web: http://www.nkstruments.com
 Gtalk: nkstruments2006

