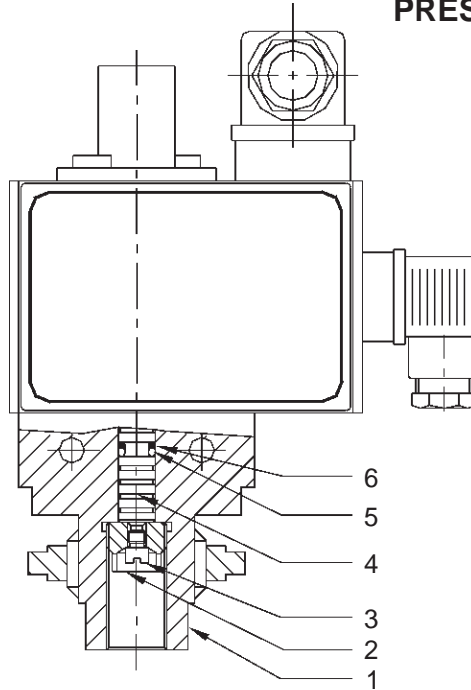


# DJ 2 SPDT HYDRAULIC PRESSURE SWITCHES



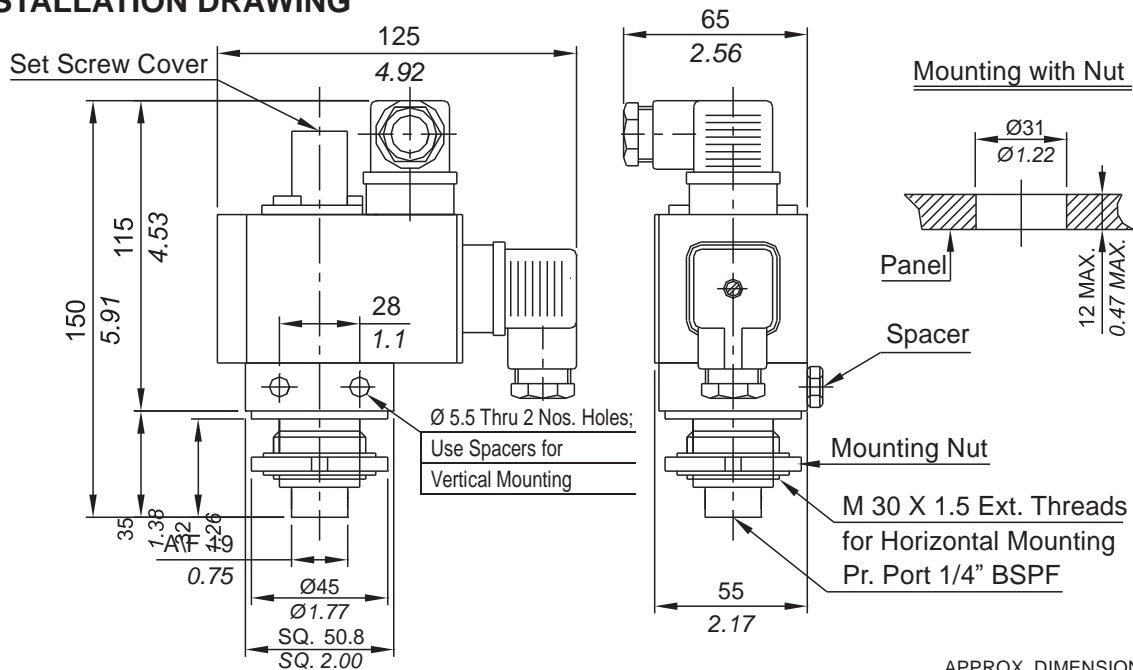
## PRESSURE CAPSULE DETAILS



- No. Description**
1. Pressure Housing
  2. Surge arrestor
  3. Surge reducer
  4. Piston
  5. O ring
  6. Backup ring

Note : wetted parts are mentioned in italics.

## INSTALLATION DRAWING



APPROX. DIMENSIONS IN  $\frac{\text{mm}}{\text{inches}}$



*NK Instruments Pvt. Ltd*

501-504, 5th Floor, Raunak Arcade, Near Hotel Usha Kiran,  
Gokhale Road, Naupada, Thane (W) - 400602.

Contact : 022-25301330/31/32 Mobile : 08108125494. Email : [sales@nkstruments.com](mailto:sales@nkstruments.com) Website : [www.nkstruments.com](http://www.nkstruments.com)

# 2 SPDT HYDRAULIC PRESSURE SWITCHES

# DJ

## General information:

DJ series pressure switches are housed in pressure die cast aluminium powder coated enclosure and are recommended for panel mounting or outdoor service based on the type of enclosure opted for. No stage differential can be set in these 2SPDT versions (DJ series). Both microswitches are synchronised for operation within practical limits and a slight stage difference is bound to remain between the setpoints (generally not exceeding 2 % of FSR). The repeat accuracy is better than  $\pm 2$  % FSR. Two separate connectors to DIN 43650 are provided for electrical wiring for two independant circuits. Pressure port is 1/4" BSPF standard.

## Features:

- ! Compact
- ! Separate chamber for working parts
- ! Choice of wetted parts to suit working media
- ! Electrical rating : 5A,250VAC;0.2A,250VDC(res.)
- ! Electrical element : SPDT snapaction microswitch
- ! Pressure port: 1/4" BSPF

**Some Applications :** Used in fire fighting systems requiring additional safety, e.g. in large power plants, etc.

## Range Selection Table

Range Code	Range (rising pressure) bar (psi)	*Approximate Maximum Differential bar (psi)	Maximum Working Pressure bar (psi)
040	5 - 40 (72.52 - 580.15)	6 (87.02)	80 (1160.3)
100	10 - 100 (145.04 - 1450.38)	12 (174.05)	120 (1440.45)
200	7 - 200 (101.52 - 2900.76)	24 (348.009)	200 (2900.76)
400	100 - 400 (1450.38 - 5801.51)	40 (580.15)	400 (5801.51)

\*minimum differential rises with setpoint (Graphs available on request)

## Wetted Parts Table for DJ Series.

	Standard	Optional	Special
Piston	EN8	S.S.	for special wetted parts through chemical seals, please refer page 330,331 & 332 and specify in text accordingly.
*Backup ring	Teflon	Teflon	
O ring	Viton	Viton	
Pressure housing	Aluminium	Brass	
Surge suppressor	EN8	Brass	
Surge reducer	Brass	Brass	

\* Backup ring is not used in all pressure ranges. Please contact sales office for details.

## How to order DJ series 2SPDT hydraulic pressure switches.

Group 1	Group 2	Group 3	Group 4	Group 5
Model	Range	Range Scale	Wetted Parts	-
DJ - 2 SPDT Fixed diff. Hydraulic Pressure Switch	Please select as per range code table	U - uncalibrated C - calibrated	S - for Standard Wetted parts. B - for optional wetted parts mentioned in table above. X - Specify wetted parts in text as per wetted parts table above	Reserved for nonstandard modifications. Code will be given by company.

eg. A 2SPDT fixed differential hydraulic pressure switch, pressure range from 5 to 40 bar, in uncalibrated style and standard wetted parts shall be specified by

Group 1	Group 2	Group 3	Group 4	Group 5
DJ	040	U	S	-

Please specify full model number to avoid ambiguity. Please refer range table & technical details table before arriving at any model number. If only the first two groups are specified while ordering, pressure switches with standard wetted parts will be supplied.

Continuous efforts for product development may necessitate changes in these details without notice.



*NK Instruments Pvt. Ltd*

501-504, 5th Floor, Raunak Arcade, Near Hotel Usha Kiran,  
Gokhale Road, Naupada, Thane (W) – 400602.

Contact : 022-25301330/31/32 Mobile : 08108125494. Email : [sales@nkinstruments.com](mailto:sales@nkinstruments.com) Website : [www.nkinstruments.com](http://www.nkinstruments.com)